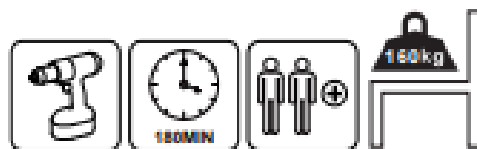
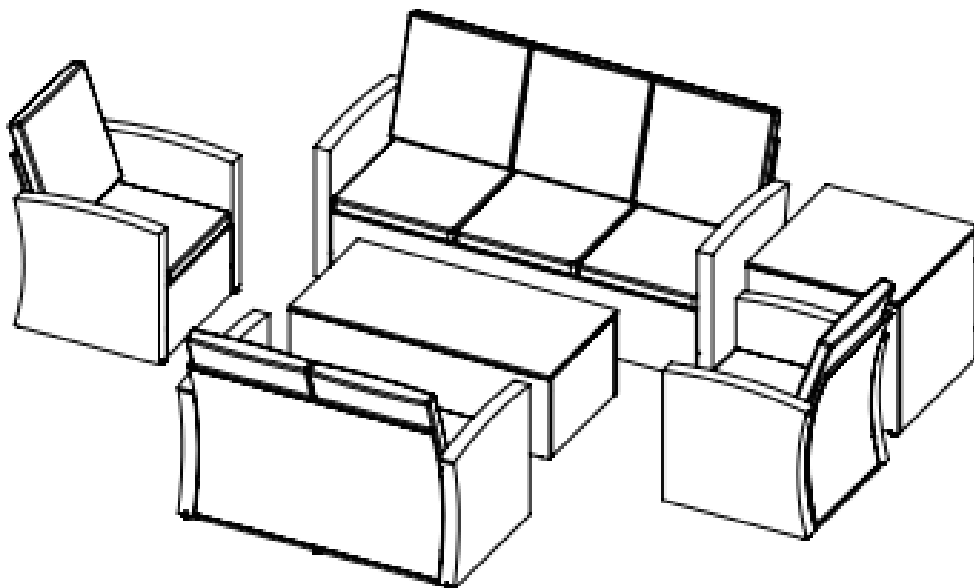




















860-120



PACKING DETAILS: TOTAL 4 BOXES

BO X 1/4:

















PART NO.	PARTS	QTY
1	 Post	x4
2	 Grooves	x2
3	 Grooves	x2
4	 Grooves	x2
5	 Grooves	x2
6	 Tap rib	x4
7	 Tap rib	x6
8	 Grooves	x2
9	 Grooves	x4
10	 Grooves	x4
A	 Grooves	x2
A1	 Grooves	x8
B	 Grooves	x2
B1	 Grooves	x8
C	 Grooves	x2
C1	 Grooves	x8
D	 Grooves	x2
E	 Grooves	x4

BO X 3/4:







PART NO.	PARTS	QTY
X	 Grooves	x4

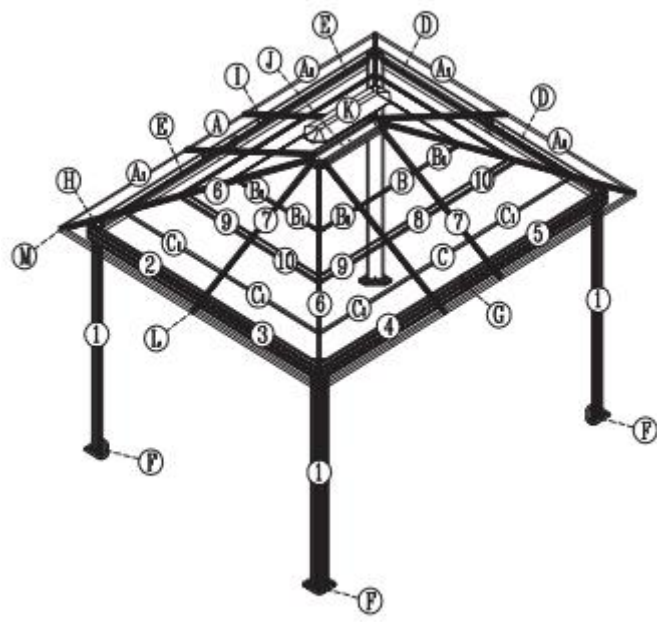
BO X 4/4:

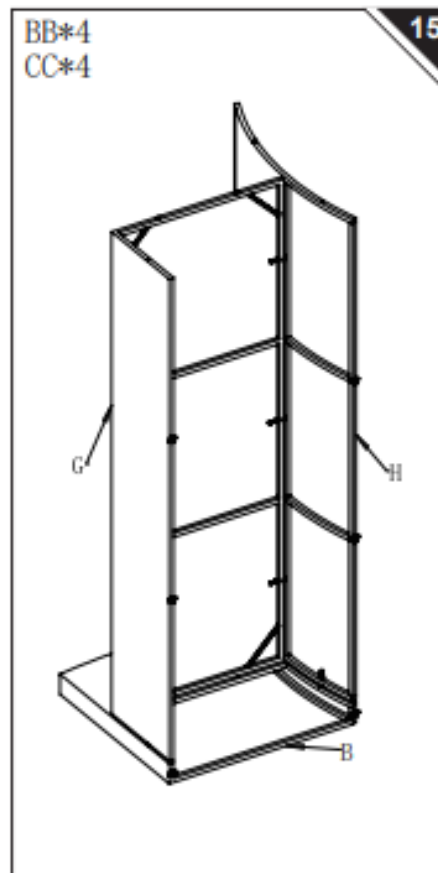
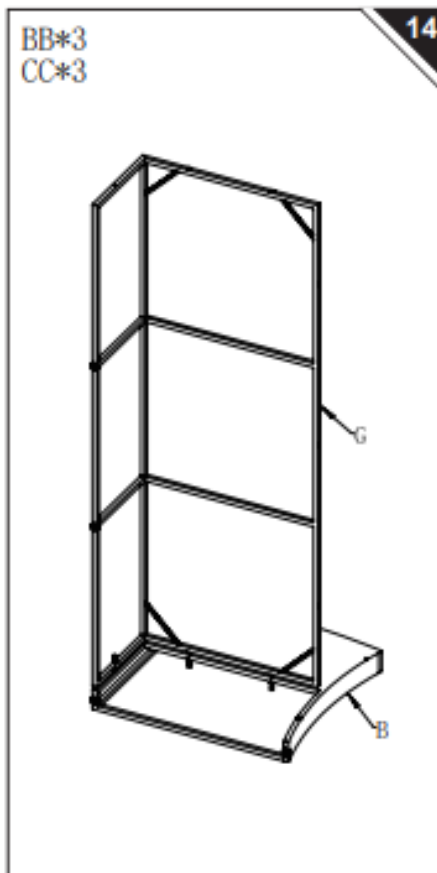
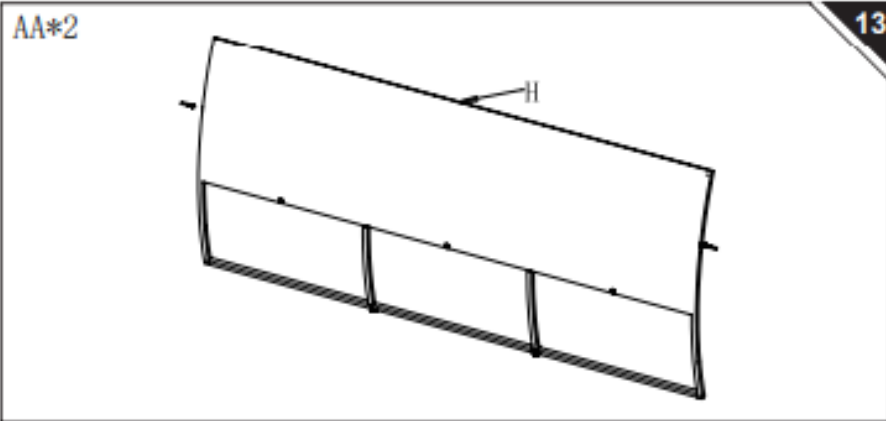
PART NO.	PARTS	QTY
W	 Grooves	x4





PART NO.	PARTS	QTY
D	 Grooves	x4
E	 Grooves	x4
F	 Grooves	x4
G	 Grooves	x4
H	 Grooves	x4
I	 Grooves	x6
J	 Grooves	x1
K	 Grooves	x1
L	 Grooves	x6
M	 Grooves	x4
N	 Grooves	x139
O	 Grooves	x32
V	 Grooves	x88
Y	 Grooves	x 2
Z	 Grooves	x12
Q	 Grooves	x8

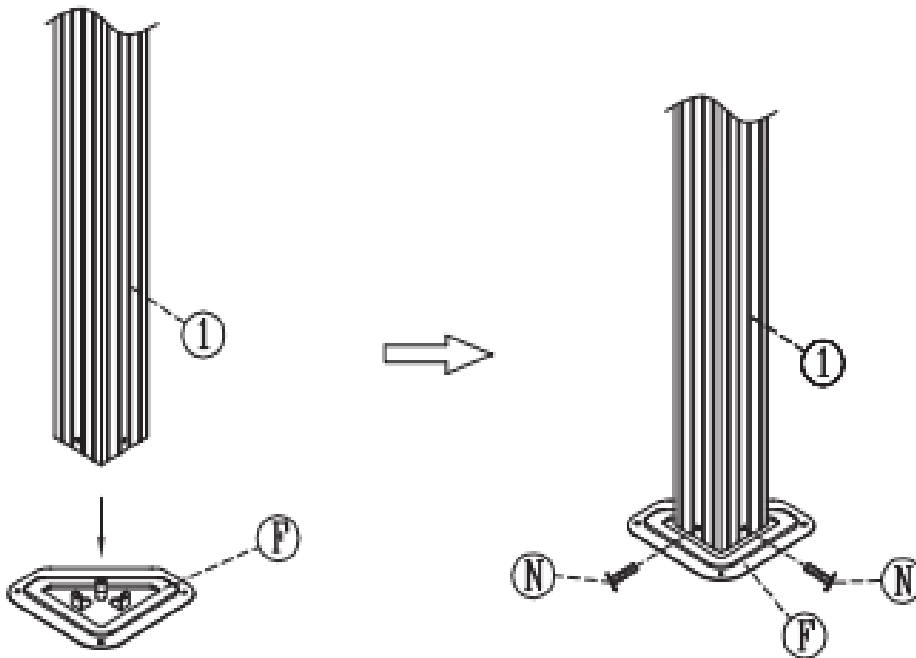
BO X 2/4:

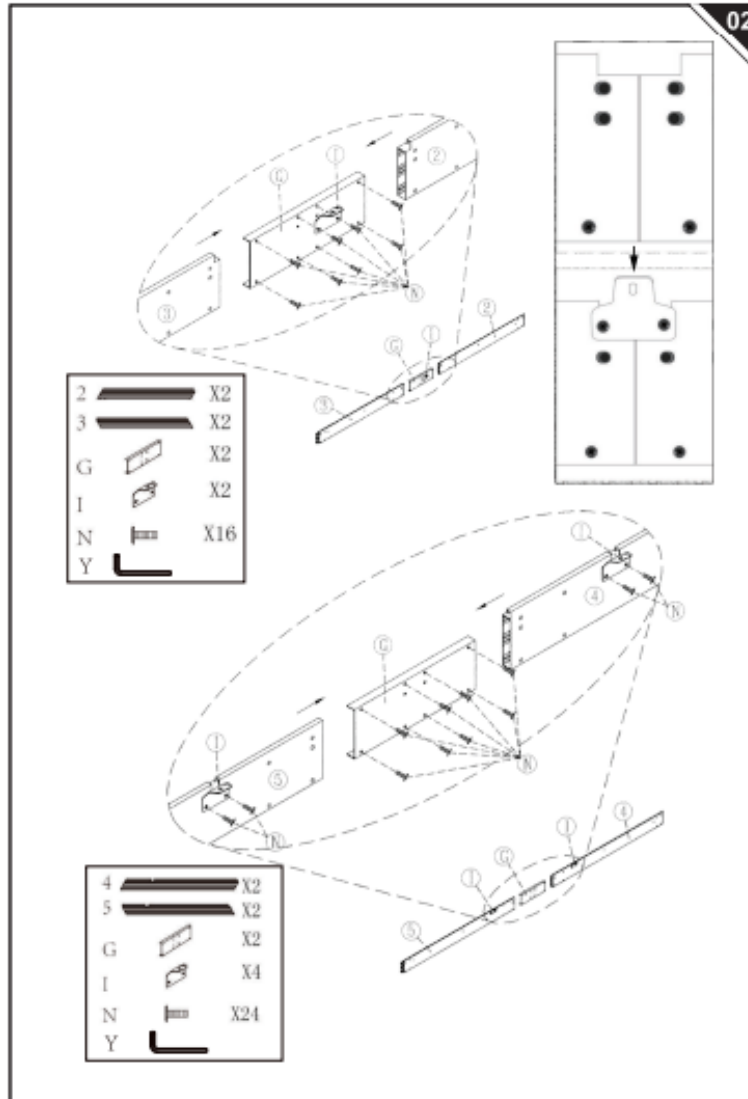
PART NO.	PARTS	QTY
P	 Grooves	x4
Q	 Grooves	x4
R	 Grooves	x4
S	 Grooves	x4
T	 Grooves	x2
U	 Grooves	x2

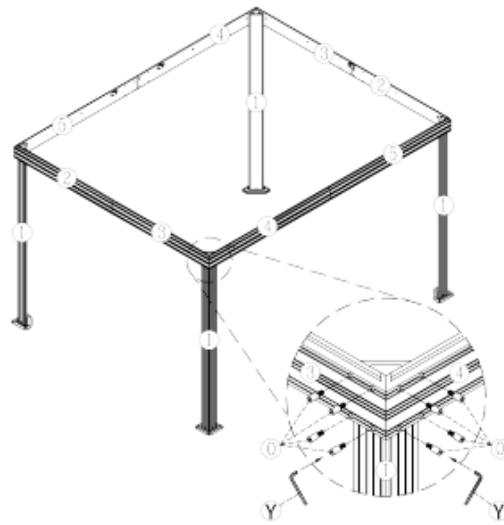




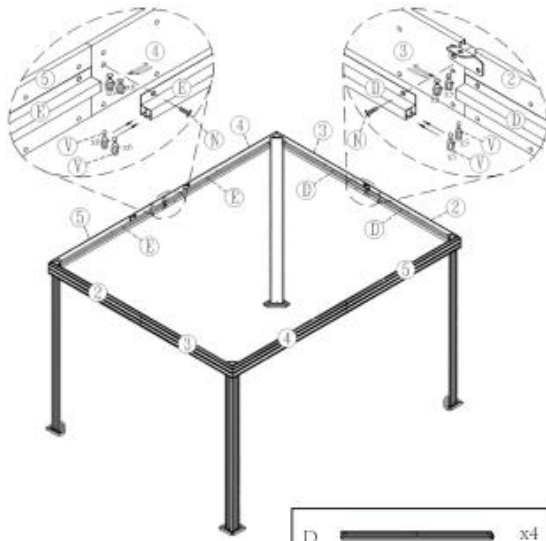
1		X4
F		X4
N		X12
Y		








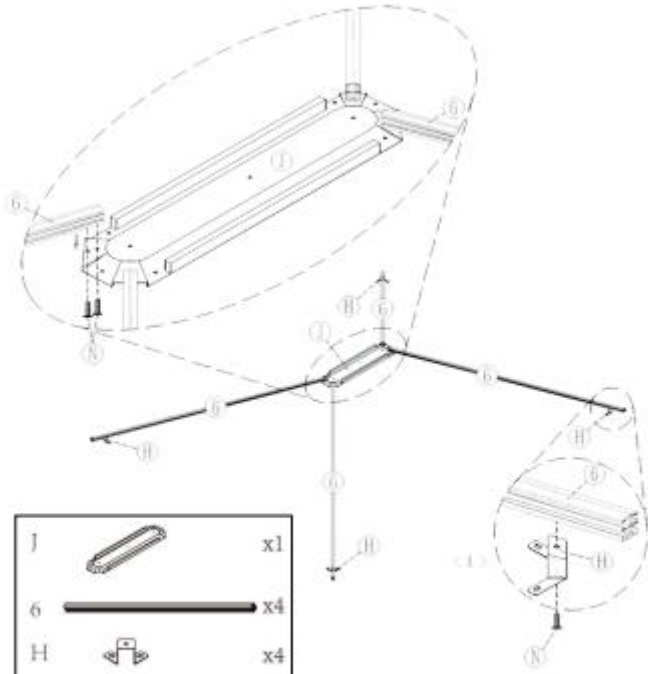









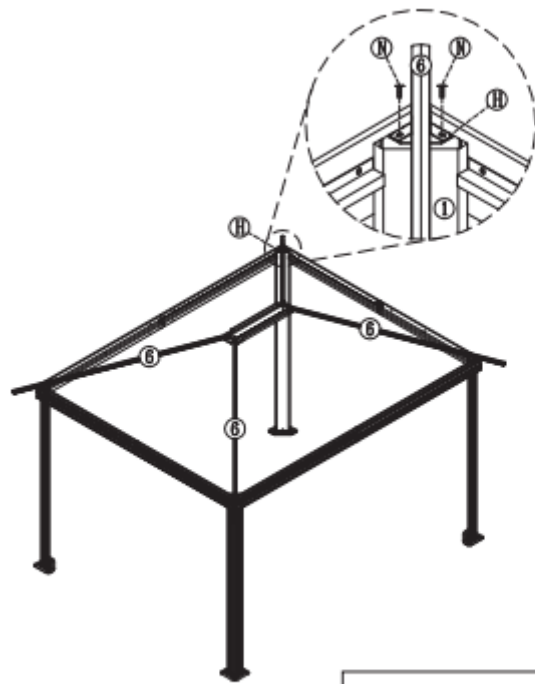
O		x32
Y		



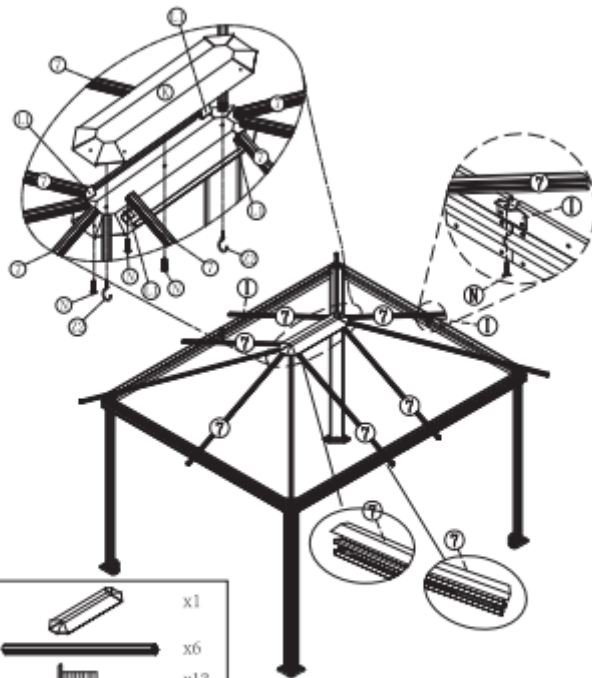
D		x4
E		x4
V		x88
N		x24
Y		








J		x1
6		x4
H		x4
N		x12
Y		



N		X8
Y		



K		x1
7		x6
N		x13
L1		x4
Z2		x2
Y	