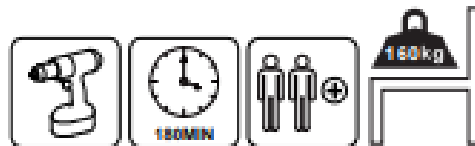
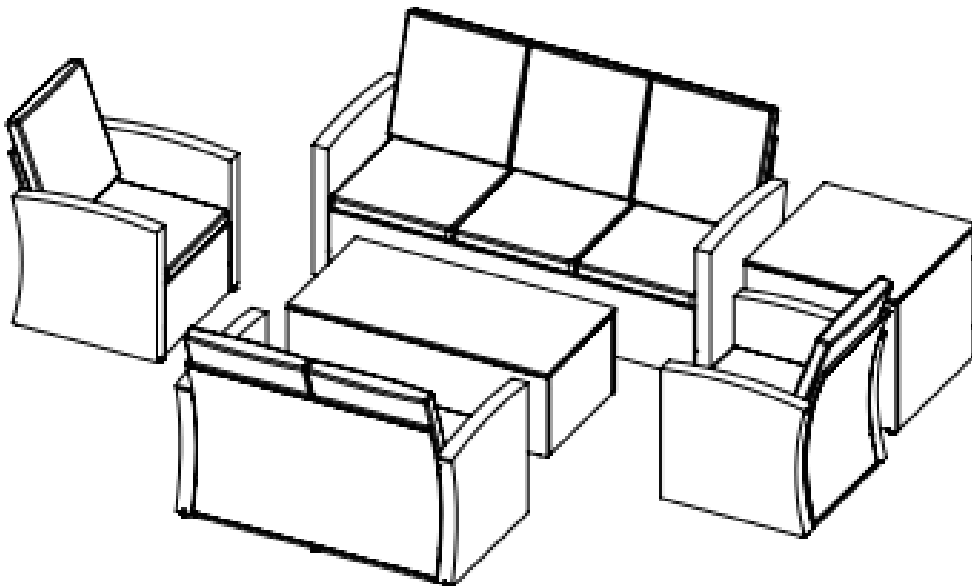
















860-120






## ΛΙΣΤΑ ΜΕΡΩΝ










BOX 1/2:










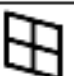


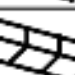

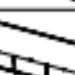
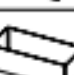








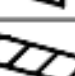

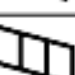

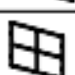
PART NO	PARTS	QTY
C		1
D		2
E		1
F		1
G		1
H		1
I		1
J		1
M		1
N		1
O		1
P		1
Q		1
R		1

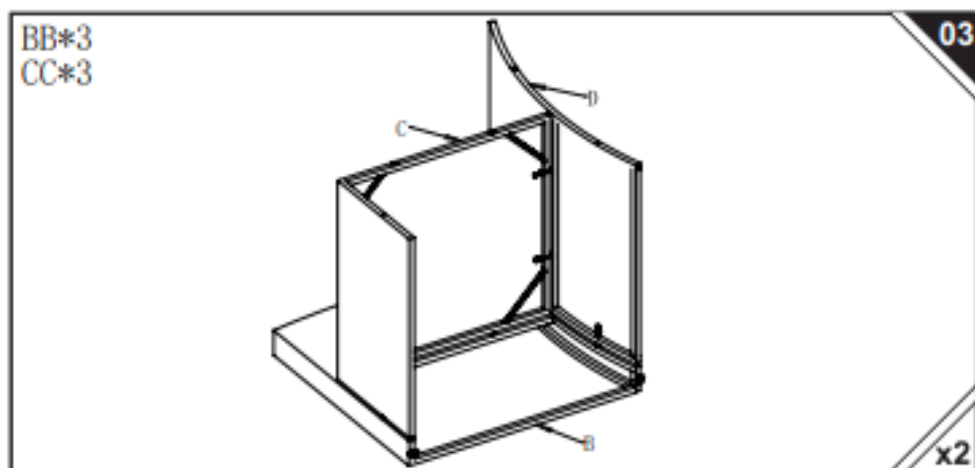
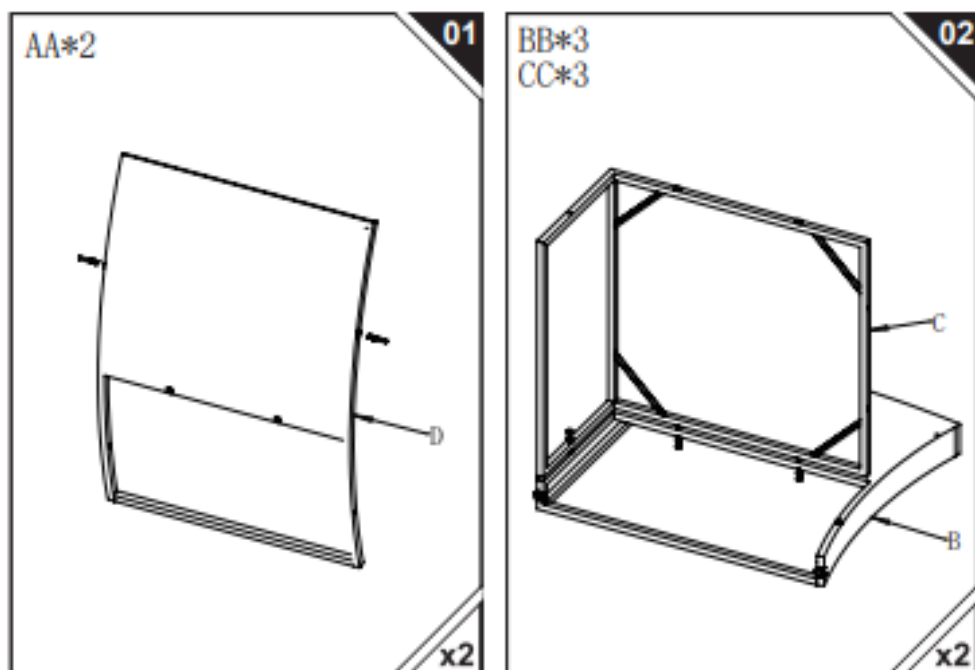
BOX 1/2:

PART NO	PARTS	QTY
S		1
T		1
V		7

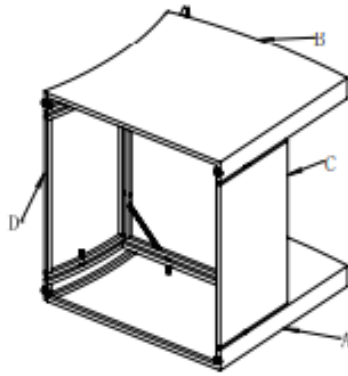
BOX 2/2:

PRT NO	PARTS	QTY
A		4
B		4
C		1
K		1
L		1
U		7
W		1
X		1
Hardware Kit		1

Part	Image	Quantity	Part	Image	Quantity
A		4	P		1
B		4	Q		1
C		2	R		1
D		2	S		1
E		1	T		1
F		1	U		7
G		1	V		7
H		1	W		1
I		1	X		1
J		1	AA		8
K		1	BB		71
L		1	CC	 M6*30	71
M		1	DD		8
N		1	EE		4
O		1			



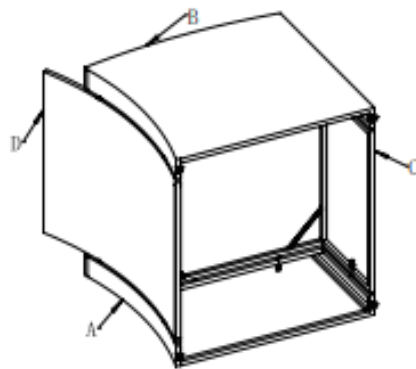
BB\*2  
CC\*2



04

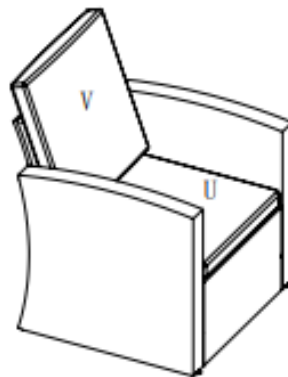
x2

BB\*2  
CC\*2



05

x2

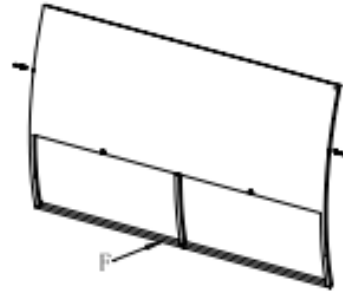


06

x2

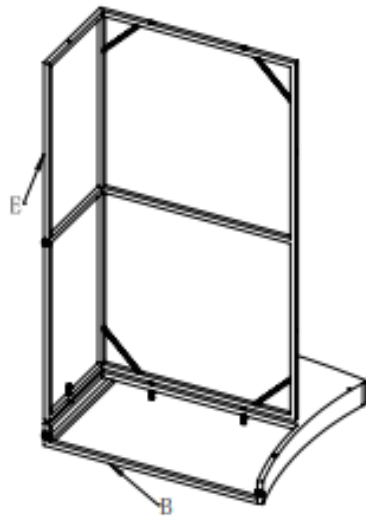
AA\*2

07



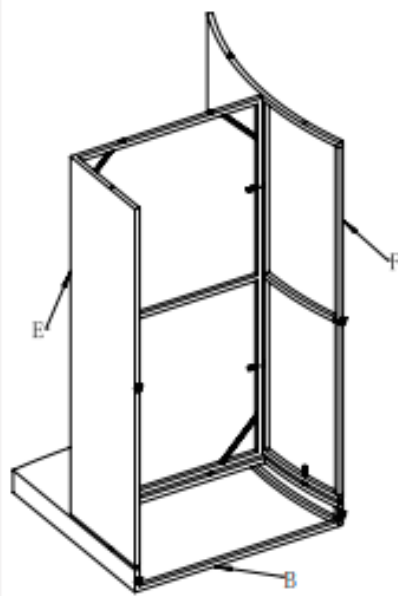
BB\*3  
CC\*3

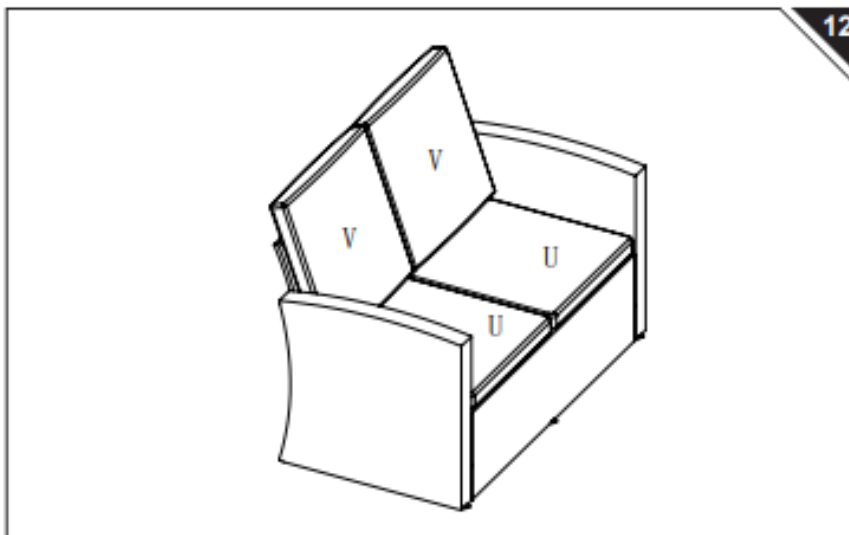
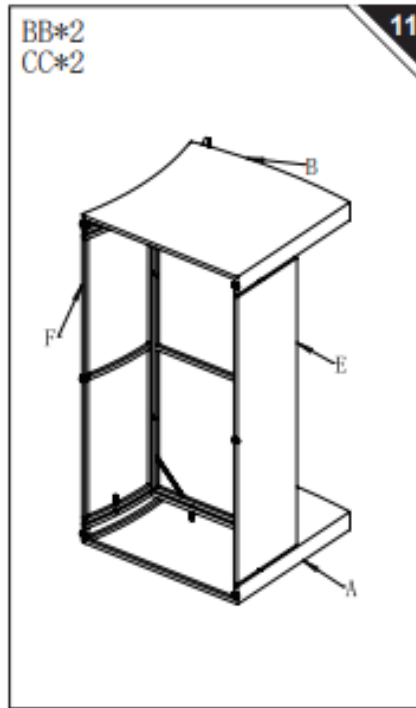
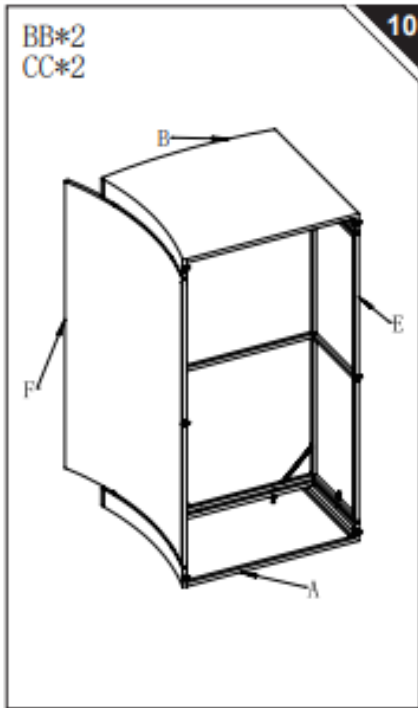
08

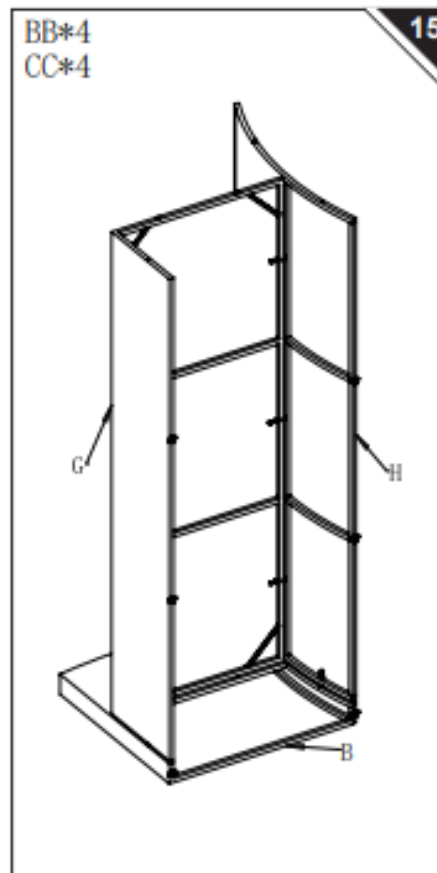
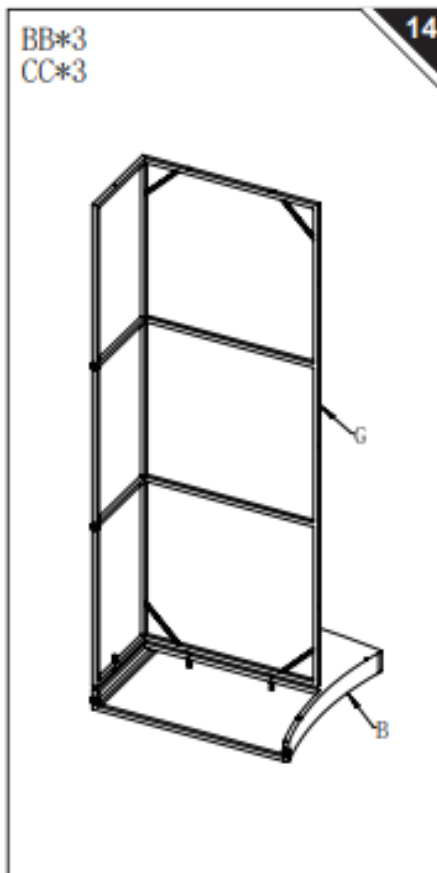
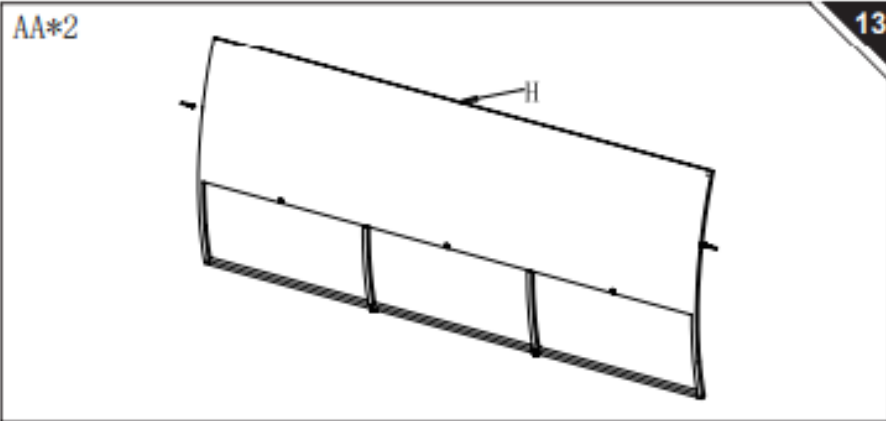


BB\*3  
CC\*3

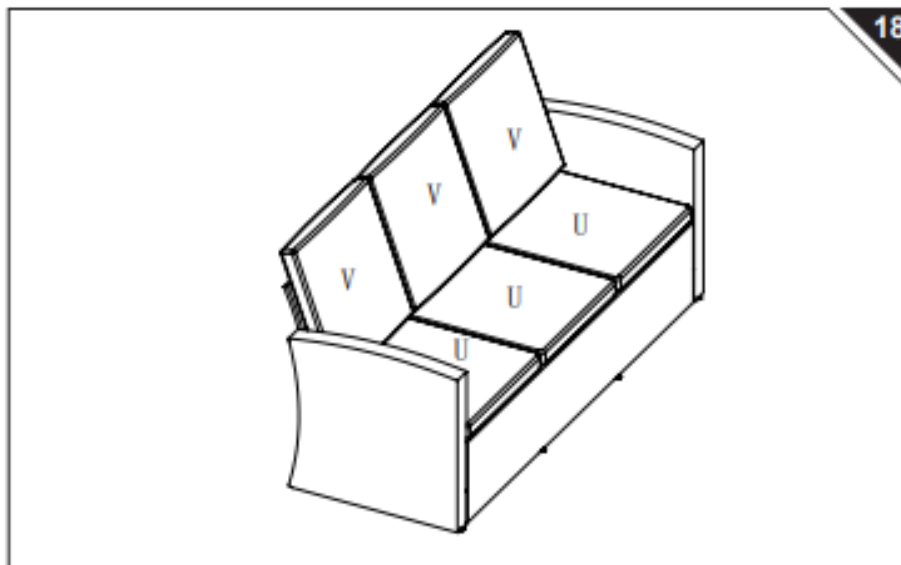
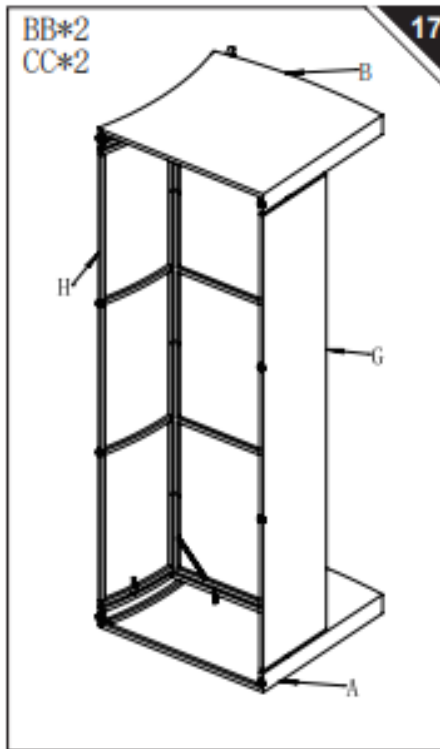
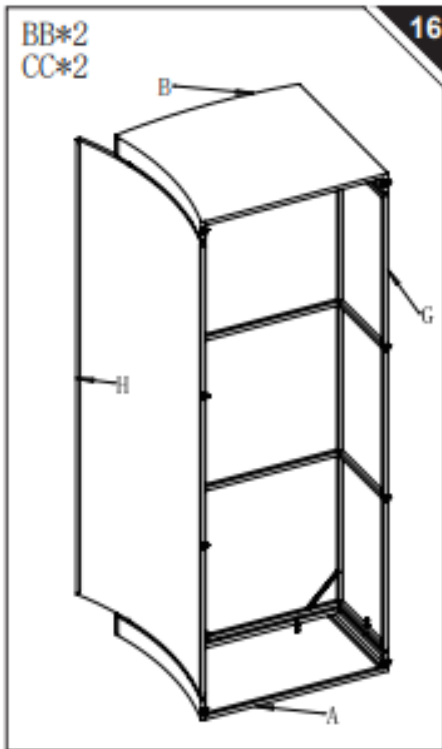
09

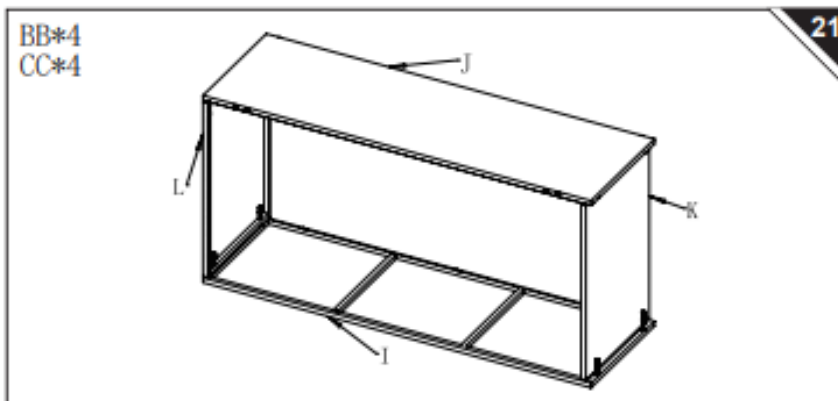
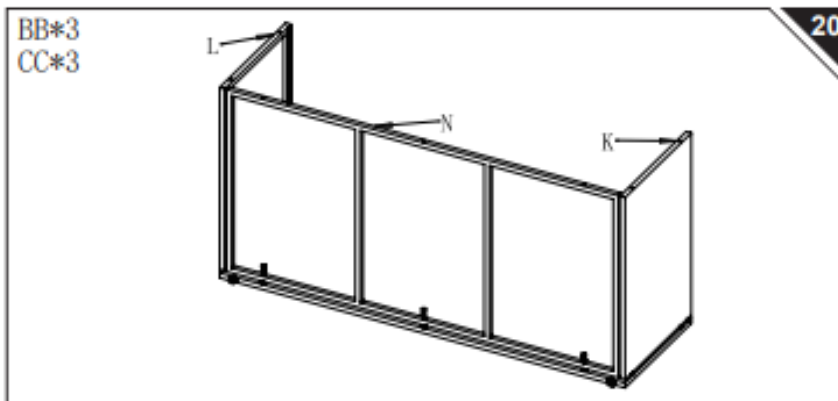
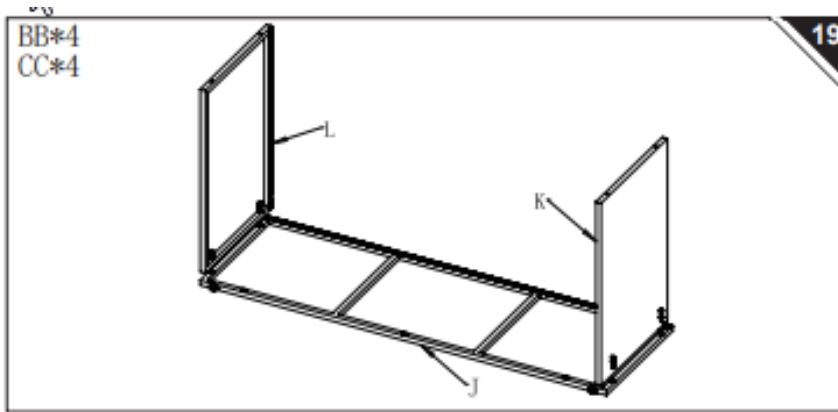






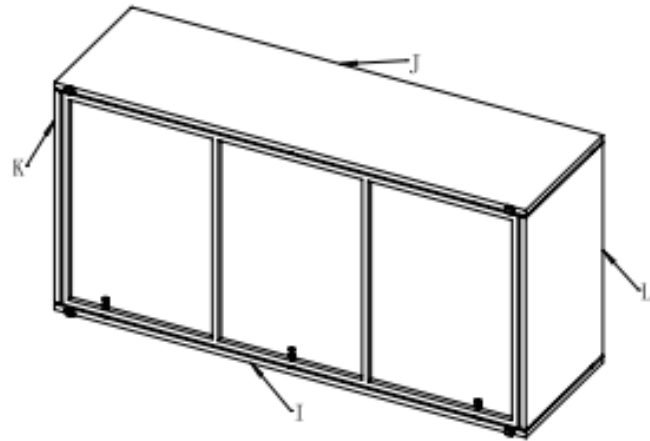






BB\*3  
CC\*3

22



DD\*4  
EE\*2

23



