

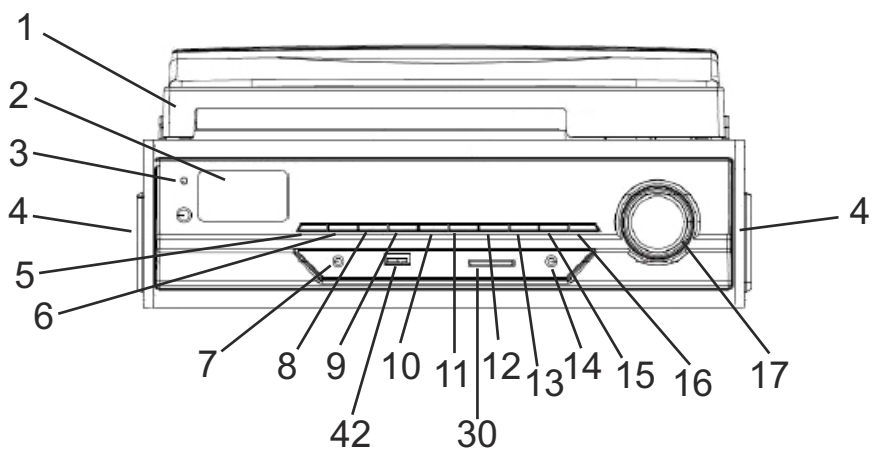
Camry

Premium

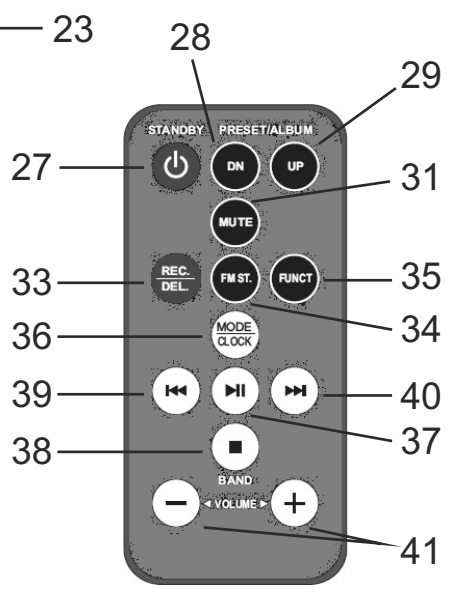
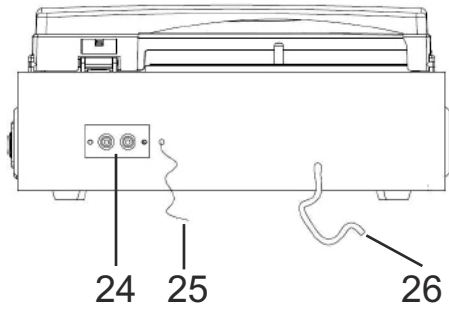
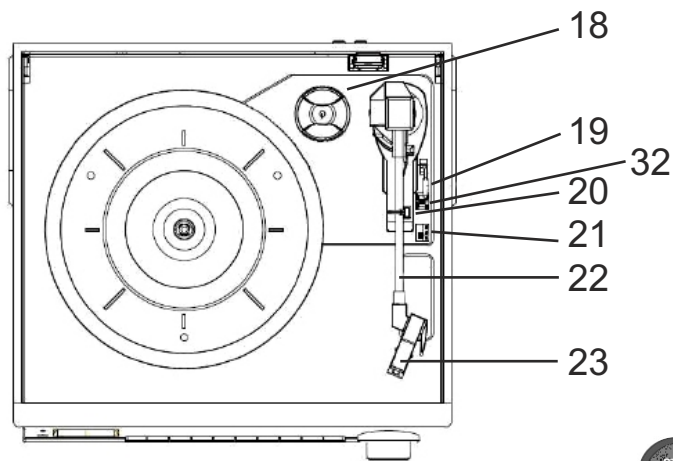


CR 1168

- | | |
|--------------------------------------|-------------------------------------|
| (GB) user manual - 3 | (DE) bedienungsanweisung - 6 |
| (FR) mode d'emploi - 9 | (ES) manual de uso - 12 |
| (PT) manual de serviço - 15 | (LT) naudojimo instrukcija - 19 |
| (LV) lietošanas instrukcija - 21 | (EST) kasutusjuhend - 24 |
| (HU) felhasználói kézikönyv - 32 | (BS) upute za rad - 29 |
| (RO) Instrucțiunea de deservire - 26 | (CZ) návod k obsluze - 40 |
| (RU) инструкция обслуживания - 49 | (GR) οδηγίες χρήσεως - 38 |
| (MK) упатство за корисникот - 35 | (NL) handleiding - 43 |
| (SL) navodila za uporabo - 46 | (FI) manual ng pagtuturo - 55 |
| (PL) instrukcja obsługi - 78 | (IT) istruzioni operative - 64 |
| (HR) upute za uporabu - 52 | (SV) instruktionsbok - 53 |
| (DK) brugsanvisning - 70 | (UA) інструкція з експлуатації - 73 |
| (SR) Корисничко упатство - 67 | (SK) Používateľská príručka - 61 |



42 30



**SAFETY CONDITIONS IMPORTANT INSTRUCTIONS ON SAFETY OF USE PLEASE
READ CAREFULLY AND KEEP FOR FUTURE REFERENCE**

The warranty conditions are different, if the device is used for commercial purpose.

1. Before using the product please read carefully and always comply with the following instructions. The manufacturer is not responsible for any damages due to any misuse.
2. The product is only to be used indoors. Do not use the product for any purpose that is not compatible with its application.
3. The applicable voltage is 230V, ~50Hz. For safety reasons it is not appropriate to connect multiple devices to one power outlet.
4. Please be cautious when using around children. Do not let the children to play with the product. Do not let children or people who do not know the device to use it without supervision.
5. **WARNING:** This device may be used by children over 8 years of age and persons with reduced physical, sensory or mental capabilities, or persons without experience or knowledge of the device, only under the supervision of a person responsible for their safety, or if they were instructed on the safe use of the device and are aware of the dangers associated with its operation. Children should not play with the device. Cleaning and maintenance of the device should not be carried out by children, unless they are over 8 years of age and these activities are carried out under supervision.
6. After you are finished using the product always remember to gently remove the plug from the power outlet holding the outlet with your hand. Never pull the power cable!!!
7. Never put the power cable, the plug or the whole device into the water. Never expose the product to the atmospheric conditions such as direct sun light or rain, etc.. Never use the product in humid conditions.
8. Periodically check the power cable condition. If the power cable is damaged the product should be turned to a professional service location to be replaced in order to avoid hazardous situations.
9. Never use the product with a damaged power cable or if it was dropped or damaged in any other way or if it does not work properly. Do not try to repair the defected product yourself because it can lead to electric shock. Always turn the damaged device to a professional service location in order to repair it. All the repairs can be done only by authorized service professionals. The repair that was done incorrectly can cause hazardous situations for the user.
10. Never put the product on or close to the hot or warm surfaces or the kitchen appliances like the electric oven or gas burner.
11. Never use the product close to combustibles.
12. Do not let cord hang over edge of counter or touch hot surfaces.
13. Never leave the product connected to the power source without supervision. Even when use is interrupted for a short time, turn it off from the network, unplug the power.
14. In order to provide additional protection, it is recommended to install residue current device (RCD) in the power circuit, with residual current rating not more than 30 mA. Contact professional electrician in this matter.
15. Avoid getting the radio wet.
16. The radio may only be wiped with a dry cloth. Do not use water or cleaning fluids.

17. To save energy, if there is no audio signal from Turntable /AUX IN / USB / SD for a period of over 10 minutes, then the unit will automatically switch to Standby Mode.

18. The radio should be kept in a dry room.

DESCRIPTION OF THE DEVICE

- | | |
|----------------------------------|----------------------------|
| 1. Turntable cover | 23. Turntable needle guard |
| 2. LCD display | 24. LINE OUT jack |
| 3. Power diode | 25. FM antenna cable |
| 4. In-built speaker | 26. Power cord |
| 5. FUNCTION button | 27. STANDBY button |
| 6. SLEEP/TIMER button | 28. PRESET/ALBUM DN button |
| 7. Headphone port | 29. PRESET/ALBUM UP button |
| 8. REC/DEL button | 30. SD card port |
| 9. MODE/CLOCK button | 31. MUTE button |
| 10. PLAY/PAUSE/TUNER SCAN button | 32. AUTO-STOP switch |
| 11. STOP/BAND button | 33. REC/DEL button |
| 12. SKIP DOWN button | 34. FM ST. button |
| 13. SKIP UP button | 35. FUNCTION button |
| 14. AUX port | 36. MODE/CLOCK button |
| 15. ALBUM/PRESET DOWN button | 37. PLAY/PAUSE button |
| 16. ALBUM/PRESET UP button | 38. STOP/BAND button |
| 17. ON/OFF switch/volume control | 39. SKIP DOWN button |
| 18. 45RPM disc adaptor | 40. SKIP UP button |
| 19. Turntable lever | 41. VOLUME UP/DOWN buttons |
| 20. Turntable arm lock | 42. USB port |
| 21. Plate spin speed adjustment | |
| 22. Turntable arm | |

SETTING THE CLOCK

Before first use, unpack everything and remove all protective materials. Unwind the FM antenna cable and power cable. Do not cover the ventilation holes, make sure that there is a gap of a few centimeters around the radio, which is required for proper ventilation.

1. In standby mode, press and hold the MODE/CLOCK button (9, 36). '12H/24H' will start flashing on the display (2). Using the SKIP DOWN button (12, 39) and SKIP UP button (13, 40) select either the 12-hour or 24-hour mode and confirm by pressing the MODE/CLOCK button again (9, 36). The device will enter the hour editing mode.
2. Using the SKIP DOWN button (12, 39) and SKIP UP button (13, 40) set the current hour and confirm by pressing the MODE/CLOCK button (9, 36). The device will enter the minute editing/ mode.
3. Using the SKIP DOWN button (12, 39) and SKIP UP button (13, 40) set the current minute and confirm by pressing the MODE/CLOCK button (9, 36).

TIMER FUNCTION (AUTOMATIC SHUT-OFF)

1. When the device is switched on, press the SLEEP/TIMER button (6) the appropriate number of times to select the time after which the device is to switch off (90, 80, 70...10 minutes).
2. The word 'SLEEP' on the display informs you that the automatic shut-off function is activated.
3. After the selected time has elapsed the device will turn off and enter standby mode.

FUNCTION BUTTON (5)

Used to change the operating mode of the device

- PHON (turntable operation mode)
- AUX (external device operation mode)
- FM radio mode
- MP3 (USB memory playback mode and SD card playback mode)
- Bluetooth mode

LISTENING TO THE RADIO

1. Turn the device on using the ON/OFF button (17, 27) and set the radio mode using the FUNCTION button (5).
2. Using the BAND button (11) set the wavelength to FM.
3. Using the SKIP DOWN button (12, 39) and SKIP UP button (13, 40) tune to the desired radio frequency. Pressing and holding these buttons for approximately 1-2 seconds will automatically search for the closest frequency. After it is found the search will stop.
4. When the frequency of the selected station is found, press the MODE/CLOCK button (9, 36) to save the station.
5. Repeat steps 3-4 to program selected stations (maximum of 30 programs - FM, maximum of 20 programs - AM).
6. You can switch between saved programs by using the PRESET DOWN button (15) and PRESET UP button (16).
7. You can set the volume by turning the volume control knob (17) or using the buttons (40) on the remote control.
8. The FM antenna (24) is located on the back panel. If the reception is poor, try to move the antenna and find a spot in which the signal is strongest. The AM antenna is located inside the radio receiver. If the reception is poor, try moving the receiver to a different place or turning it in another direction to catch the strongest signal.

9. The TUNER SCAN button (10) is used to automatically find and save available radio stations.

PLAYBACK OF MP3 FILES FROM USB/SD MEMORY

CAUTION: The device may not be compatible with all of the files due to coding differences. The device may not work with some USB/SD memories. The device supports 8GB USB memories and SD cards.

1. Turn the player on using the ON/OFF button (17, 27). Place the USB or SD memory in the port (USB port - 42, SD port - 30)
2. Select the mode using the FUNCTION button (5, 35).
3. The device will read the memory and show the number of recorded tracks on the display. The device will then begin playback of the first track.
4. You can pause and resume playback of the given track using the PLAY/PAUSE button (10, 37).
5. You can playback the previous or next tracks using the SKIP DOWN button (12, 39) and SKIP UP button (13, 40). Pressing and holding these buttons during playback of a track will make it rewind or fast-forward.
6. You can playback the previous or next track album using the ALBUM DOWN button (15, 28) and ALBUM UP button (16, 29).
7. During playback of a track press the MODE/CLOCK button (9, 36) once to activate repeat of one track. Pressing the MODE/CLOCK button (9,

36) again will repeat the entire content of the USB memory/SD card.

8. Before removing the USB memory/SD card from the port first turn off the player, or switch it to radio mode, turntable disc playback mode ('PHON') or external device mode ('AUX').

You are able to play music files saved on a mobile telephone equipped with Bluetooth, for playback on the power socket radio.

1. Turn on the device, press „FUNCTION“ button to select Bluetooth mode. .
2. Activate the Bluetooth connection of the media playback device. The media playback device will now search for devices to which it can connect.
3. The media playback device should now be receiving the device code CR 1168
4. Use the media playback device to connect to the radio. To do this, select CR 1168 on the media playback device.

USING A DEVICE CONNECTED THROUGH THE AUX IN UNIVERSAL ENTRY PORT:

1. Connect the external device to the player by the AUX IN port (14).
2. Switch the player to the AUX IN mode by pressing the FUNCTION button (5).

PLAYBACK OF VINYL DISCS

Prior to first use of the turntable, remove the turntable needle guard (23) and untie the knot protecting the turntable arm found next to the turntable arm lock (20).

1. Release the arm lock (20) and set the device to the PHON mode by using the FUNCTION button (5, 35).
2. Place the disc on the turntable plate. If necessary, use the adapter (18).
3. Select the plate's rotational speed (the rotational speed depending on the type of disc) by using the switch (21).
4. By using the level (19) lift the turntable arm - this will activate the turning of the plate with the turntable disc. Gently slide the arm onto the track you want to listen to. Lower the needle arm using the lever (19).
5. You can set the volume by turning the volume control knob (17) or using the buttons (40) on the remote control.
6. To stop playback of the disc, lift the turntable arm using the lever (19).
7. After completion of playback of the disc lift the turntable arm using the turntable lever (19). Move the arm over the lock (20) and lower it using the lever (19).
8. To turn the AUTO-STOP function on or off use the AUTO-STOP switch (32).

RECORDING ONTO A USB DISC/SD CARD

1. Recording from the radio - place the USB disc/SD card in the appropriate port (42 or 30). Press the FUNCTION button (5, 35) to select the radio mode. Using the BAND button (11) set the wavelength to AM or FM. Using the SKIP DOWN button (12, 39) and SKIP UP button (13, 40) tune to the desired radio frequency. Press the REC/DEL button (8, 33). Within a few seconds the device will read the available USB/SD memory media. Using the SKIP DOWN button (12, 39) and SKIP UP button (13, 40) select whether you want to record to the USB memory or the SD card. Confirm by pressing the REC/DEL button (8, 33) again. After a few seconds the device will record to the selected portable memory (if only the USB memory or the SD card is connected, the first press of the REC/DEL button will activate the recording function after a few seconds). The REC icon will flash during recording. To stop recording press the STOP/BAND button (11, 38).

CAUTION: Activation of the process of recording from the radio will occur with a several-second delay. There may be interference/noise during radio recording.

2. Recording from a vinyl disc - place the USB disc/SD card in the appropriate port (42 or 30). Press the FUNCTION button (5, 35) to select the 'PHON' mode. Place the vinyl disc on the plate and begin playback of the track you want to record by placing the turntable arm in the appropriate spot. The remaining steps are identical to that of recording from the radio.

3. Recording from an external device (AUX mode) - place the USB disc/SD card in the appropriate port (42 or 30). Press the FUNCTION button (5, 35) to select the 'AUX' mode. Connect the external device to the AUX IN port (14) and select the track you wish to record from the external device. The remaining steps are identical to that of recording from the radio.

DELETING TRACKS FROM A USB DISC/SD CARD

Deleting one recording - place the USB disc/SD card in the appropriate port (42 or 30). Select the track you want to delete using the SKIP DOWN button (12, 39) and SKIP UP button (13, 40) and begin playing back. Press and hold the REC/DEL button (8, 33) for approximately 3 seconds.

CLEANING AND MAINTENANCE

1. Disconnect the device from the mains power.
 2. The device may only be wiped with a dry cloth.
 3. The device should be kept in a dry room.
- CAUTION: Do not use water for cleaning - this may damage the device.

TECHNICAL DATA

Power source: 230V ~50Hz
RMS output power: 2x 1.5W



To protect your environment: please separate carton boxes and plastic bags and dispose them in corresponding waste bins. Used appliance should be delivered to the dedicated collecting points due to hazardous components, which may affect the environment. Electrical appliance must be returned in order to reduce its reuse and utilization. If the device contains batteries they should be delivered to dedicated points separately.

ALLGEMEINE SICHERHEITSVORSCHRIFTEN LESEN SIE AUFMERKSAM WICHTIGE ANWEISUNGEN BEZÜGLICH DER SICHERHEIT DER BENUTZUNG BEWAHREN SIE DIESE FÜR DIE ZUKUNFT AUF

Bei Verwendung des Gerätes zu gewerblichen Zwecken werden die Garantiebedingungen geändert.

1. Vor dem ersten Gebrauch, die Bedienungsanleitung lesen und die dort angegebenen Hinweise beachten. Der Produzent trägt keine Verantwortung für Schäden, die aufgrund von bestimmungswidriger Nutzung oder unsachgemäßer Bedienung entstanden sind.
2. Das Gerät ist nur für den Hausgebrauch verwendet. Verwenden Sie es nicht für andere Zwecke als den bestimmungsgemäßen Gebrauch.
3. Das Gerät ausschließlich an die Steckdose 230 V - 50 Hz anschließen. Es darf nicht zu anderen, bestimmungswidrigen Zwecken benutzt werden. Wegen Vorsichtsmaßnahmen, sollten keine weiteren Geräte an den gleichen Stromkreis angeschlossen werden.
4. Falls sich Kinder in der Nähe befinden, sollte bei der Nutzung des Gerätes spezielle Vorsicht bewahrt werden. Dieses Gerät ist nicht zum Spielen für Kinder, sowie für Erwachsene, die sich mit der Bedienungsanleitung nicht vertraut gemacht haben, geeignet.
5. **WARNHINWEIS:** Dieses Gerät kann von Kindern im Alter von über 8 Jahren sowie von Personen von einer beschränkten körperlichen, sensorischen, psychischen Fähigkeit oder von Personen, die keine Erfahrung oder kein Kenntnisse von dem Gerät haben, nur dann genutzt werden, wenn die Nutzung unter Aufsicht einer Person, welche die Verantwortung für deren Sicherheit trägt, stattfindet oder diesen Personen Ratschläge bezüglich der sicheren Benutzung des Geräts erteilt wurden und sie sich den mit seiner Benutzung verbundenen Gefahren bewusst sind. Kinder dürfen nicht mit dem Gerät spielen. Die Reinigung und die Unterhaltung des Geräts dürfen nicht von Kindern durchgeführt werden, es sei denn, dass diese Kinder im Alter von über 8 Jahren sind und diese Tätigkeiten unter Aufsicht durchgeführt werden.
6. Nach der Benutzung, den Stecker aus der Steckdose ziehen und dabei die Steckdose mit der Hand festhalten. NIEMALS am Kabel ziehen.
7. Das Kabel, die Buchse, sowie das ganze Gerät nicht in Wasser oder andere Flüssigkeiten tauchen. Das Gerät vor Regen, Sonne usw. und vor Feuchtigkeit (z.B. im Badezimmer oder Campingwagen) schützen.
8. Regelmäßig das Kabel prüfen. Falls das Kabel beschädigt ist, sollte es in einem spezialisierten Service ausgetauscht werden, um ev. Gefährdung zu vermeiden.
9. Falls das Kabel oder ein anderer Teil des Gerätes beschädigt oder das Gerät fallen gelassen wurde oder nicht ordnungsgemäß arbeitet, sollte es nicht benutzt werden. Das Gerät darf nicht durch unbefugte Personen repariert werden, da die Gefahr eines Stromstoßes besteht. Ein beschädigtes Gerät in einem spezialisierten Service zur Kontrolle oder Reparatur abgeben. Jegliche Reparaturen dürfen nur durch einen spezialisierten Service vorgenommen werden. Eine nicht korrekt ausgeführte Reparatur kann das Leben des Benutzers gefährden.
10. Das Gerät auf eine kühle, gerade Fläche, entfernt von wärmeausstrahlenden Geräten, wie: Elektroherd, Gasherd, usw. stellen.
11. Das Gerät nicht in der Nähe von leicht entzündlichen Materialien benutzen.
12. Das Kabel darf nicht außerhalb der Tischkante hängen oder heiße Flächen berühren.

13. Lassen Sie das Gerät oder den Adapter nicht unbeaufsichtigt, wenn es an das Stromnetz angeschlossen ist.
14. Es wird empfohlen, für zusätzlichen Schutz den Fehlerstromschutzschalter (RCD), dessen Bemessungsdifferenzstrom 30 mA nicht übersteigt, zu installieren. In diesem Bereich wenden Sie sich an einen Fachelektriker.
15. Das Radio darf nicht dem Einfluss von Nässe ausgesetzt werden.
16. Das Radio darf nur mit einem trockenen Tuch abgewischt werden. Benutzen Sie weder Wasser noch Reinigungsmittel.
17. Für die Sicherung der Energiesparsamkeit des Gerätes, wenn es keinen Signal vom Grammophon/AUX IN-Eingang innerhalb von 10 Minuten registriert, übergeht es automatisch in den Standby-Modus.
18. Das Radio ist in einem trockenen Raum aufzubewahren.

BESCHREIBUNG DES GERÄTES

- | | |
|--|--------------------------------|
| 1. Abdeckung des Grammofons | 23. Schutz des Tonabnehmeradel |
| 2. LCD-Anzeige | 24. LINE OUT- Steckdose |
| 3. Anzeige der Netzstromversorgung | 25. FM – Antennenkabel |
| 4. Eingebauter Lautsprecher | 26. Netzkabel |
| 5. FUNCTION-Taste | 27. STANDBY- Taste |
| 6. SLEEP/TIMER - Taste | 28. PRESET/ALBUM DN – Taste |
| 7. Kopfhörereingang | 29. PRESET/ALBUM UP – Taste |
| 8. REC/DEL – Taste | 30. Lesegerät für SD-Karten |
| 9. MODE/CLOCK- Taste | 31. MUTE – Taste |
| 10. PLAY/PAUSE/TUNER SCAN-Taste | 32. AUTO-STOP - Umschalter |
| 11. STOP/BAND – Taste | 33. REC/DEL – Taste |
| 12. SKIP DOWN – Taste | 34. FM ST – Taste |
| 13. SKIP UP – Taste | 35. FUNCTION-Taste |
| 14. AUX-Eingang | 36. MODE/CLOCK- Taste |
| 15. ALBUM/PRESET DOWN – Taste | 37. PLAY/PAUSE-Taste |
| 16. ALBUM/PRESET UP - Taste | 38. STOP/BAND – Taste |
| 17. ON/OFF – Ausschalter / Lautstärkeregelung | 39. SKIP DOWN – Taste |
| 18. Adapter für Platten 45 RPM | 40. SKIP UP – Taste |
| 19. Tonabnehmerhebel | 41. VOLUME UP/DOWN - Tasten |
| 20. Sperre des Tonabnehmerhebels | 42. USB-Anschluss |
| 21. Regulierung der Drehgeschwindigkeit des Plattentellers | |
| 22. Tonabnehmer | |

EINSTELLUNG DER UHR

Vor erstem Gebrauch sind alle Teile auszupacken und alle Sicherungsmaterialien zu entfernen. Das FM-Antennenkabel und das Netzkabel sind auszulegen. Die Lüftungsöffnungen dürfen nicht abgedeckt werden. Vergewissern Sie sich, dass um das Radio herum einige Zentimeter Freiraum gelassen wurde, was für eine ordnungsgemäße Lüftung notwendig ist.

1. Drücken Sie die MODE/CLOCK – Taste (9, 36) in dem Standby – Modus und halten Sie sie fest. Auf dem Display (2) beginnt die Aufschrift "12H/24H" zu blinken. Mittels der SKIP DOWN (12, 39) und SKIP UP (13, 40) – Tasten wählen Sie den 12-stündigen oder den 24-stündigen Modus aus und bestätigen Sie diesen mit einem erneuten Drücken der MODE/CLOCK – Taste (9, 36). Das Gerät geht dann in den Modus der Edition der Stunde über.
2. Mittels der SKIP DOWN (12, 39) und SKIP UP (13, 40) – Tasten stellen Sie die aktuelle Stunde ein und bestätigen Sie diese durch das Drücken der MODE/CLOCK (9, 36)- Taste. Das Gerät geht dann in den Modus des Editierens der Minute über.
3. Mittels der SKIP DOWN (12, 39) und SKIP UP (13, 40) – Tasten stellen Sie die aktuelle Minute ein und bestätigen Sie diese durch das Drücken der MODE/CLOCK (9, 36) - Taste.

TIMER - FUNKTION (AUTOMATISCHE AUSSCHALTUNG)

1. Wenn das Gerät eingeschaltet ist, drücken Sie mehrmals die SLEEP/TIMER (6) – Taste, um die Zeit, nach der das Gerät ausgeschaltet werden soll (90, 80, 70...10 Minuten), einzustellen.
2. Die Aufschrift "SLEEP" auf dem Display informiert darüber, dass die Funktion der automatischen Ausschaltung aktiv ist.
3. Nach dem Ablauf der gewählten Zeit wird das Gerät ausgeschaltet und geht in den Standby – Modus über.

FUNCTION (5)- Taste

Diese dient zur Änderung des Arbeitsmodus des Geräts.

- PHON (Modus des Grammofons)
- AUX (Modus der Bedienung des externen Geräts)
- Modus des FM - Radioempfangs
- MP3 (Modus des Lesens des USB- Speichers/Modus des Lesens der SD- Karte)

RADIO-FUNKTION

1. Schalten Sie das Gerät mit der ON/OFF (17, 27) – Taste ein und stellen Sie den Modus des Radioempfangs mit der FUNCTION (5)- Taste ein.
2. Mittels der BAND (11) – Taste wählen Sie die Funkwellenlänge (AM oder FM).
3. Mittels den SKIP DOWN (12, 39) und SKIP UP (13, 40) – Tasten stellen Sie die gewünschte Radiofrequenz ein. Das Drücken und Festhalten

dieser Tasten über zirka 1-2 Sekunden verursacht das automatische Suchen der nächsten Frequenz. Nach ihrer Auffindung wird das Suchen angehalten.

4. Wenn die Frequenz der gewählten Station gefunden wird, drücken Sie die MODE/CLOCK (9, 36) – Taste, um die Station zu speichern.
5. Wiederholen Sie Schritte 3-4, um die ausgewählten Stationen (max. 30 Sender – FM, max. 20 Sender – FM) einzustellen.
6. Wenn Sie die PRESET DOWN (15) und PRESET UP (16) – Tasten anwenden, können Sie unter den eingestellten Sendern wählen.
7. Wenn Sie den Drehknopf der Lautstärkeregelung (17) umdrehen oder die Tasten (40) an der Fernbedienung verwenden, können Sie die Lautstärke des Tons einstellen.
8. Die FM-Antenne (24) befindet sich an der Hinterseite des Geräts. Sollte das Empfangssignal zu schwach sein, versuchen Sie, die Antenne an einer anderen Stelle zu lokalisieren und den Platz, an dem das Signal am stärksten ist, zu finden.
Die AM-Antenne befindet sich im Inneren des Radioempfängers. Sollte das Empfangssignal zu schwach sein, versuchen Sie, den Radioempfänger woanders einzustellen oder in eine andere Richtung zu drehen, um das stärkste Signal zu empfangen.
9. Die TUNER SCAN (10) – Taste dient zum automatischen Aufsuchen und zur Einschaltung der erreichbaren Rundfunkstationen.

WIEDERGABE DER MP3 – DATEIEN AUS DEM USB/SD- SPEICHER

ACHTUNG: Das Gerät kann mit Rücksicht auf die Unterschiede in der Codierung nicht mit allen Dateien kompatibel sein. Das Gerät kann mit manchen USB/SD- Speichern nicht zusammenarbeiten. Das Gerät unterstützt USB – Speicher und SD – Karten von einem Volumen von bis zu 8GB.

1. Schalten Sie den Player mit dem ON/OFF (17, 27) - Schalter ein. Legen Sie den USB - oder SD – Speicher in den Eingang (USB – Eingang - 42, SD – Eingang - 30) ein.
2. Wählen Sie den Arbeitsgang mit der FUNCTION (5, 35) - Taste.
3. Das Gerät liest den Speicher aus und zeigt die Anzahl der gespeicherten Musikstücke auf dem Display an. Das Gerät beginnt dann, das erste Musikstück wiederzugeben.
4. Mittels der PLAY/PAUSE (10, 37) – Taste kann man die Wiedergabe des jeweiligen Musikstücks anhalten und sie wiederholen.
5. Mittels der SKIP DOWN (12, 39) und SKIP UP (13, 40) – Tasten kann man die Wiedergabe der vorherigen und nächsten Musikstücke wählen. Drücken und Festhalten dieser Tasten während der Wiedergabe des Musikstücks verursacht sein Vor- oder Zurückschalten.
6. Mittels der ALBUM DOWN (15, 28) und ALBUM UP (16, 29) – Tasten kann man in die Wiedergabe des vorherigen oder nächsten Verzeichnisses mit den Musikstücken übergehen.
7. Während der Wiedergabe des Musikstücks drücken Sie einmalig die MODE/CLOCK (9, 36) – Taste, um die Wiederholung eines Musikstücks einzuschalten. Das nächste Drücken der MODE/CLOCK (9, 36) – Taste verursacht die Wiederholung des Gesamtinhalts des USB- Speichers/der SD – Karte.
8. Das Herausnehmen des USB- Speichers /der SD – Karten aus den Eingängen ist nach einer vorherigen Ausschaltung des Radios oder seiner Umschaltung in den Radioempfang, die Wiedergabe der Grammophonplatten ("PHON") oder das externe Gerät ("AUX") durchzuführen.

Sie können Musikdateien abspielen, die auf einem mit Bluetooth ausgestatteten Mobiltelefon gespeichert sind, und können über das Steckdosenradio abgespielt werden.

1. Schalten Sie das Gerät ein und drücken Sie die Taste „FUNCTION“, um den Bluetooth-Modus auszuwählen .
2. Aktivieren Sie die Bluetooth-Verbindung des Medienwiedergabegeräts. Das Medienwiedergabegerät sucht jetzt nach Geräten, für die es möglich ist verbinden.
3. Das Medienwiedergabegerät sollte jetzt den Gerätecode CR 1168 empfangen
4. Verwenden Sie das Medienwiedergabegerät, um eine Verbindung zum Radio herzustellen. Wählen Sie dazu auf dem Medienwiedergabegerät CR 1168.

BENUTZUNG DES GERÄTES, DAS DURCH DEN UNIVERSELLEN EINGANG AUX IN ANGESCHLOSSEN IST:

1. Schließen Sie ein externes Gerät an den Player durch den AUX IN (14) – Eingang an.
2. Das Wiedergabegerät ist durch Drücken der Taste FUNCTION (5) in den Modus AUX IN umzuschalten.

WIEDERGABE VON VINYL-SCHALLPLATTEN

Vor der ersten Benutzung des Grammofons nehmen Sie den Schutz der Nadel des Tonabnehmers (23) ab und entfernen Sie den Knoten, der den Tonabnehmer an der Sperrung des Tonabnehmers (20) befestigt.

1. Lockern Sie die Sperre des Tonabnehmers (20) und stellen Sie das Gerät in den Modus PHON mittels der FUNCTION (5, 35)- Taste ein.
2. Legen Sie die Platte auf den Plattenteller. Wenn es notwendig ist, wenden Sie den Adapter (18) an.
3. Mit dem Schalter (21) wählen Sie die Drehgeschwindigkeit des Plattentellers. Die Geschwindigkeit der Wiedergabe ist abhängig von der Art der Schallplatte.
4. Mittels des Hebels (19) heben Sie den Tonabnehmer, dies startet das Drehen des Tellers mit der Grammophonplatte. Bewegen Sie vorsichtig den Tonabnehmer über den Titel, den Sie hören wollen. Senken Sie den Tonabnehmer mittels des Tonabnehmerhebels (19) ab.
5. Wenn Sie an dem Drehknopf der Lautstärkeregelung (17) drehen oder die Tasten (40) an der Fernbedienung verwenden, können Sie die Lautstärke einstellen.
6. Um die Wiedergabe der Platte zu unterbrechen, heben Sie den Tonabnehmer mit dem Hebel (19) an.
7. Nach der Beendigung der Wiedergabe der Platte, heben sie den Tonabnehmer mit dem Hebel (19) an. Verschieben Sie den Tonabnehmer über die Sperrung (20) und senken Sie diesen mit dem Hebel (19).
8. Um die AUTO-STOP – Funktion einzuschalten oder auszuschalten, benutzen Sie den AUTO-STOP (32)- Umschalter.

AUFNAHME AUF DEN USB-SPEICHER / DIE SD-KARTE

1. Aufnahme der Radiosendung - legen Sie die USB- Platte / SD – Karte in den entsprechenden Eingang (42 oder 30). Drücken Sie die FUNCTION (5, 35) – Taste, um den Modus des Radioempfangs zu wählen. Mittels der BAND (11) – Taste wählen Sie die Funkwellenlänge (AM oder FM). Mittels den SKIP DOWN (12, 39) und SKIP UP (13, 40) – Tasten stellen Sie die gewünschte Radiofrequenz ein. Drücken Sie die REC/DEL (8, 33) - Taste. Das Gerät liest angeschlossene USB/SD - Speicherträger innerhalb einiger Sekunden aus. Mittels der SKIP DOWN (12, 39) und SKIP UP (13, 40) – Tasten wählen Sie, ob Sie auf den USB – Speicher oder auf die SD- Karte aufnehmen wollen. Bestätigen Sie auf einem erneuten Drücken der REC/DEL (8, 33) - Taste. Das Gerät beginnt nach einigen Sekunden, auf dem gewählten mobilen Speicher aufzunehmen (wenn nur der USB – Speicher oder nur die SD – Karte angeschlossen wird, startet das erste Drücken der REC/DEL – Taste die Aufnahme nach einigen Sekunden). Während der Aufnahme wird das REC – Icon blinken. Um die Aufnahme anzuhalten, drücken Sie die STOP/BAND (11, 38) - Taste.
- ACHTUNG:** Die Aufnahme vom Radioempfänger erfolgt mit der Verzögerung von einigen Sekunden. Während der Aufnahme der Radiosendung können Interferenzen/Geräusche auftreten.

2. Aufnahme von der Schallplatte – Setzen Sie den USB - Speicher / den SD – Speicher in den entsprechenden Eingang (42 oder 30) ein. Drücken Sie die FUNCTION (5, 35) – Taste, um den Modus "PHON" zu wählen. Legen Sie die Schallplatte auf den Teller unter und beginnen Sie, das Musikstück, das Sie aufnehmen wollen, wiederzugeben, indem Sie den Tonabnehmer an der entsprechenden Stelle aufsetzen. Die weiteren Schritte sind mit dem Fall der Aufnahme der Radiosendung identisch.

3. Aufnahme von einem externen Gerät (Modus AUX) – Setzen Sie den USB - Speicher / den SD – Speicher in den entsprechenden Eingang (42 oder 30) ein. Drücken Sie die FUNCTION (5, 35) – Taste, um den Modus "AUX" zu wählen. Schließen Sie die externen Geräte an den AUX IN (14) – Eingang an und wählen Sie das Musikstück, das Sie aufnehmen wollen, auf dem externen Gerät. Die weiteren Schritte sind mit dem Fall der Aufnahme der Radiosendung identisch.

LÖSCHEN DER MUSIKSTÜCKE VON DER USB- PLATTE/ SD-KARTE

Löschung des einzelnen Musikstücks – legen Sie die USB- Platte/SD –Karte in den entsprechenden Eingang (42 oder 30). Wählen Sie das Musikstück, das Sie löschen wollen, mittels der SKIP DOWN (12, 39) und SKIP UP (13, 40) – Tasten und beginnen Sie, es wiederzugeben. Drücken Sie die REC/DEL (8, 33) - Taste und halten Sie diese zirka 3 Sekunden lang fest.

REINIGUNG UND WARTUNG

1. Schalten Sie das Gerät vom Netz ab.
 2. Das Gerät kann nur mit einem trockenen Tuch abgewischt werden.
 3. Das Gerät ist in einem trockenen Raum zu lagern.
- ACHTUNG: Benutzen Sie kein Wasser zur Reinigung, da hierdurch das Gerät beschädigt werden kann.

TECHNISCHE DATEN

Speisespannung: 230 V ~50 Hz
RMS - Ausgangsleistung: 2x 1,5 W



Den Pappkarton im Altpapier entsorgen. Polyäthylenbeutel (PE) in dem Behälter für Kunststoff entsorgen. Das abgenutzte Gerät zum Recycling zu einer offiziellen Sammelstelle bringen, da es gefährliche Substanzen enthält, die die Umwelt gefährden können. Das Gerät sollte in einer Form abgegeben werden, die eine weitere Nutzung unmöglich macht. Wenn es Batterien enthält, sollten diese rausgenommen und separat an einer Sammelstelle abgegeben werden. Das Gerät darf nicht in den Hausmüll rausgeworfen werden!!

FRANÇAIS

CONSIGNES DE SECURITE.

INSTRUCTIONS IMPORTANTES CONCERNANT LA SECURITE D'UTILISATION.

LISEZ-LES ATTENTIVEMENT ET CONSERVEZ-LES POUR L'AVENIR"

En cas d'utilisation dans des fins commerciales, les conditions de garantie changent."

1. Lisez ce mode d'emploi avant la première utilisation et suivez les conseils d'utilisation. Le fabricant n'est pas responsable des dégâts occasionnés par toute utilisation pour laquelle l'appareil n'est pas destiné ou en cas d'usage non conforme aux règles d'utilisation.
2. L'appareil est destiné à un usage domestique. Ne pas l'utiliser à d'autres fins que celles pour lesquelles il a été prévu.
3. L'appareil se branche uniquement à une prise 230 V ~ 50 Hz. Afin d'augmenter la sécurité de l'utilisation, il ne faut pas brancher plusieurs appareils électriques sur le même circuit électrique.
4. Lors de l'utilisation de l'appareil, il faut être particulièrement prudent s'il y a des enfants à proximité. Ne pas laisser les enfants jouer avec l'appareil. N'autoriser l'utilisation de l'appareil ni aux enfants ni aux personnes ne connaissant pas ce produit.
5. AVERTISSEMENT: Cet appareil peut être utilisé par les enfants de plus de 8 ans et par des personnes dont les capacités physiques, sensorielles ou mentales sont réduites ou encore des personnes n'ayant pas d'expérience ou de connaissance de cet appareil, seulement si cela s'effectue sous la surveillance d'une personne responsable de la sécurité, ou que ceux-ci ont reçu des instructions concernant une utilisation sûre de l'appareil et qu'ils sont conscients des risques inhérents à son utilisation. Les enfants ne doivent pas jouer avec l'appareil. Le nettoyage et l'entretien de l'appareil ne doivent pas être effectués par les enfants sauf s'ils ont plus de 8 ans et que ces manipulations sont surveillées.
6. Après chaque utilisation, débrancher la fiche d'alimentation de la prise de courant, en maintenant la prise avec la main. Ne pas tirer sur le cordon d'alimentation.
7. Ne pas tremper le cordon, la fiche ou l'appareil entier dans l'eau ou dans tout autre liquide. Ne pas exposer l'appareil à des conditions atmosphériques (pluie, soleil etc.). Ne pas

l'utiliser non plus dans des conditions d'humidité élevée (salle de bain, mobile-homes humides).

8. Vérifier périodiquement l'état du cordon d'alimentation. Si le cordon d'alimentation est endommagé, il devra être changé par un service de réparation spécialisé afin d'éviter le danger.

9. Ne pas utiliser l'appareil si le cordon d'alimentation est endommagé, si l'appareil est tombé ou qu'il a été endommagé de quelque autre manière ou au cas où il ne fonctionne pas correctement. Ne pas réparer l'appareil soi-même car cela présente un risque d'électrocution. Un appareil endommagé doit être remis chez un professionnel pour vérification ou réparation. Toute réparation doit être effectuée par un service de réparation agréé. Une réparation mal effectuée peut constituer un danger non négligeable pour l'utilisateur.

10. L'appareil doit être posé sur une surface fraîche, stable et lisse, loin des appareils électroménagers dégageant de la chaleur (cuisinière électrique, brûleur à gaz etc.).

11. Ne pas utiliser l'appareil à proximité de matériaux inflammables.

12. Le cordon d'alimentation ne peut pas dépasser les bords de la table ou toucher des surfaces très chaudes.

13. Il est interdit de laisser l'appareil ou l'alimenteur branché à la prise de courant sans surveillance.

14. Afin d'assurer une protection supplémentaire, il est conseillé d'installer dans le réseau électrique un appareil à courant différentiel nominal ne dépassant pas 30 mA. Pour cela il faut contacter un électricien spécialisé.

15. Ne pas exposer l'appareil à l'eau.

16. On ne peut nettoyer l'appareil qu'à l'aide d'un torchon sec. Ne pas utiliser d'eau ni de produits nettoyants.

17. Afin d'assurer l'économie d'énergie, si l'appareil n'enregistre pas un signal à partir d'un gramophone / AUX IN pendant 10 minutes, elle passe automatiquement en mode Standby.

18. Entreposer l'appareil dans un local protégé de l'humidité.

DESCRIPTION DE L'APPAREIL

- | | |
|---|------------------------------|
| 1. Capot du gramophone | 23. Protection de l'aiguille |
| 2. Ecran LCD | 24. Prise LINE OUT |
| 3. Témoin d'alimentation | 25. Fil de l'antenne FM |
| 4. Haut-parleur intégré | 26. Cordon d'alimentation |
| 5. Touche FUNCTION | 27. Touche STANDBY |
| 6. Touche SLEEP/TIMER | 28. Touche PRESET/ALBUM DN |
| 7. Entrée écouteurs | 29. Touche PRESET/ALBUM UP |
| 8. Touche REC/DEL | 30. Lecteur cartes SD |
| 9. Touche MODE/CLOCK | 31. Touche MUTE |
| 10. Touche PLAY/PAUSE/TUNER SCAN | 32. Commutateur AUTO-STOP |
| 11. Touche STOP/BAND | 33. Touche REC/DEL |
| 12. Touche SKIP DOWN | 34. Touche FM ST. |
| 13. Touche SKIP UP | 35. Touche FUNCTION |
| 14. Entrée AUX | 36. Touche MODE/CLOCK |
| 15. Touche ALBUM/PRESET DOWN | 37. Touche PLAY/PAUSE |
| 16. Touche ALBUM/PRESET UP | 38. Touche STOP/BAND |
| 17. Touche ON/OFF / réglage de volume | 39. Touche SKIP DOWN |
| 18. Adaptateur disques 45RPM | 40. Touche SKIP UP |
| 19. Levier du gramophone | 41. Touches VOLUME UP/DOWN |
| 20. Support de blocage du bras de lecture | 42. Port USB |
| 21. Réglage de vitesse de rotation du plateau | |
| 22. Bras de lecture | |

REGLAGE DE L'HORLOGE

Avant première utilisation, débarrer tous les éléments de l'appareil et retirer toutes les protections. Dérouler le fil de l'antenne FM et le cordon d'alimentation. Ne pas couvrir les ouïes de ventilation, s'assurer qu'il y a un espace libre de quelques centimètres autour de l'appareil nécessaire pour assurer une ventilation correcte.

1. En mode veille, maintenir la touche MODE/CLOCK (9, 36) appuyée. L'inscription "12H/24H" se mettra à clignoter sur l'écran (2). A l'aide des touches SKIP DOWN (12, 39) ou SKIP UP (13, 40) sélectionner le mode de 12-heures ou de 24-heures et confirmer en appuyant à nouveau sur la touche MODE/CLOCK (9, 36). L'appareil passera alors en mode de réglage d'heure.
2. A l'aide des touches SKIP DOWN (12, 39) ou SKIP UP (13, 40), régler l'heure en cours et confirmer en appuyant sur la touche MODE/CLOCK (9, 36). L'appareil passera alors en mode de réglage des minutes.
3. A l'aide des touches SKIP DOWN (12, 39) ou SKIP UP (13, 40), régler les minutes et confirmer en appuyant sur la touche MODE/CLOCK (9, 36).

FNCTION TIMER (MISE EN MARCHÉ AUTOMATIQUE)

1. Lorsque l'appareil est allumé, appuyer sur la touche SLEEP/TIMER (6) le nombre de fois nécessaire afin de sélectionner le moment d'arrêt de l'appareil (dans 90, 80, 70...10 minutes).
2. L'inscription "SLEEP" sur l'écran informe que la fonction d'arrêt automatique est active.
3. Après l'écoulement du temps programmé, l'appareil s'éteindra et se mettra en mode veille.

TOUCHE FUNCTION (5)

La touche FUNCTION sert à changer le mode de fonctionnement de l'appareil.

- PHON (mode pray du gramophone)
- AUX (mode de commande d'un appareil extérieur)
- mode de réception de la radio FM
- MP3 (mode de lecture de la mémoire USB/mode de lecture de la carte SD)

ECOUTE DE LA RADIO

1. Allumer l'appareil en appuyant sur la touche ON/OFF (17, 27) et sélectionner le mode de réception de la radio à l'aide de la touche FUNCTION (5).
2. A l'aide de la touche BAND (11), sélectionner la longueur d'ondes : AM ou FM.
3. A l'aide des touches SKIP DOWN (12, 39) et SKIP UP (13, 40), régler la fréquence radio souhaitée. En enfonçant la touche et en la maintenant appuyée pendant 1-2 secondes environ, l'appareil déclenchera la recherche automatique de la fréquence la plus proche disponible. Après avoir trouvé la fréquence, la recherche s'arrêtera.
4. Lorsque la fréquence de la chaîne radio recherchée sera trouvée, appuyer sur la touche MODE/LOCK (9, 36) afin d'enregistrer la station.
5. Refaire les manipulations de 3 à 4 afin de mémoriser les chaînes sélectionnées (FM - 30 max., AM - 20 max.).
6. A l'aide des touches PRESET DOWN (15) et PRESET UP (16), vous pouvez parcourir et sélectionner les chaînes mémorisées.
7. En tournant le sélecteur rotatif de réglage du volume (17) ou en utilisant les touches (40) sur la télécommande, vous pouvez régler l'intensité du son.
8. L'antenne FM (24) se trouve sur le panneau arrière. Si la réception de signal est trop faible, essayez de déplacer l'antenne et de trouver la position où le signal est le plus fort.
L'antenne AM se trouve à l'intérieur du poste radio. Si la réception de signal est trop faible, essayez de déplacer le poste et de le tourner afin de trouver le signal le plus fort.
9. La touche TUNER/SCAN (10) sert à rechercher automatiquement et à enregistrer les chaînes radio disponibles.

LECTURE DES FICHIERS MP3 A PARTIR DE LA MEMOIRE USB/SD

ATTENTION : L'appareil peut être ne pas être compatible avec certains fichiers, compte tenu des différences de codage. L'appareil risque de ne pas accepter certaines mémoires USB/SD. L'appareil accepte les mémoires USB et les cartes SD jusqu'à 8GB.

1. Allumer le lecteur à l'aide de la touche ON/OFF (17, 27). Insérer la mémoire USB ou SD dans le port (port USB - 42, lecteur cartes SD - 30).
 2. Sélectionner le mode de fonctionnement en appuyant sur la touche FUNCTION (5, 35).
 3. L'appareil lira la mémoire et affichera sur l'écran le nombre de pistes disponibles. Puis l'appareil commencera la lecture de la première piste.
 4. A l'aide de la touche PLAY/PAUSE (10, 37), il est possible de mettre en pause et de reprendre la lecture de la piste écoutée.
 5. A l'aide des touches SKIP DOWN (12, 39) et SKIP UP (13, 40), il est possible de parcourir et de choisir la lecture des pistes qui suivent ou qui précèdent. En enfonçant ces touches et en les maintenant appuyées lors de la lecture, la piste sera mise en retour rapide ou en avance rapide.
 6. A l'aide des touches ALBUM DOWN (15, 28) et ALBUM UP (16, 29), il est possible de parcourir les catalogues (dossiers) de fichiers son.
 7. Lors de la lecture de la piste, appuyer une fois sur la touche MODE/CLOCK (9, 36) afin d'activer le mode "répétition" du morceau donné. En appuyant à nouveau sur la touche MODE/CLOCK (9, 36), tout le contenu de la mémoire USB ou de la carte SD sera répété.
 8. Afin de retirer la mémoire USB du port USP ou la carte SD du lecteur de cartes, éteindre au préalable le poste ou le mettre en mode radio, lecture de disques par le gramophone ("PHON") ou commande d'un appareil extérieur ("AUX").
- Vous pouvez lire des fichiers de musique enregistrés sur un téléphone portable équipé de Bluetooth, pour une lecture sur la radio avec prise de courant.

1. Allumez l'appareil, appuyez sur le bouton «FUNCTION» pour sélectionner le mode Bluetooth. .
2. Activez la connexion Bluetooth du périphérique de lecture multimédia. Le périphérique de lecture multimédia recherchera désormais les périphériques auxquels il pourra relier.
3. Le périphérique de lecture multimédia devrait maintenant recevoir le code de périphérique CR 1168.
4. Utilisez le périphérique de lecture multimédia pour vous connecter à la radio. Pour ce faire, sélectionnez CR 1168 sur le périphérique de lecture multimédia.

UTILISATION D'UN APPAREIL BRANCHE SUR LA PRISE D'ENTREE UNIVERSELLE AUX IN :

1. Brancher l'appareil extérieur sur le poste via la prise AUX IN (14).
2. Commuter le lecteur en mode AUX IN en appuyant sur la touche FUNCTION (5).

LECTURE DE DISQUES ANALOGIQUES

Avant la première utilisation du gramophone, retirer la protection de l'aiguille (23), dénouer le nœud qui protège le bras de lecture situé sur le blocage du bras du gramophone (20).

1. Débloquer le bras (20) et sélectionner le mode PHON à l'aide de la touche FUNCTION (5, 35).
2. Placer le disque sur le plateau du gramophone. Utiliser l'adaptateur (18) si nécessaire.
3. Sélectionner la vitesse de rotation du plateau (en fonction du type de disque utilisé) à l'aide du commutateur (21).

- A l'aide du levier (19) lever le bras de lecture et le plateau avec le disque se mettra à tourner. Placer doucement le bras de lecture au dessus de la piste que vous souhaitez écouter. Baisser le bras de lecture à l'aide du levier (19).
- En tournant le sélecteur rotatif de réglage du volume (17) ou en utilisant les touches (40) sur la télécommande, vous pouvez régler l'intensité du son.
- Afin d'arrêter la lecture du disque, lever le bras de lecture à l'aide du levier (19).
- Afin d'arrêter la lecture du disque, lever le bras de lecture à l'aide du levier (19). Placer le bras de lecture au dessus du support de blocage (20) et le baisser à l'aide du levier (19).
- Utiliser le commutateur AUTO-STOP (32) afin d'activer ou de désactiver la fonction AUTO-STOP.

ENREGISTREMENT SUR UN DISQUE USB / UNE CARTE SD

1. Pour enregistrer les émissions radio, insérer la clé USB dans le port USB ou dans le lecteur approprié (42 ou 30). Appuyer sur la touche FUNCTION (5, 35) afin de sélectionner de mode de réception de la radio. A l'aide de la touche BAND (11), sélectionner la longueur d'ondes : AM ou FM. A l'aide des touches SKIP DOWN (12, 39) et SKIP UP (13, 40), régler la fréquence radio souhaitée. Appuyer sur la touche REC/DEL (8, 33). En quelques secondes l'appareil détectera les supports USB/SD disponibles. A l'aide des touches SKIP DOWN (12, 39) et SKIP UP (13, 40) sélectionnez la mémoire que vous souhaitez utiliser pour l'enregistrement (USB ou carte SD). Confirmer en appuyant à nouveau sur la touche REC/DEL (8, 33). Au bout de quelques secondes commencera l'enregistrement vers la mémoire amovible sélectionnée (S'il n'y a qu'une seule mémoire extérieure disponible – USB ou SD – l'appareil déclenchera l'enregistrement dès le premier enfoncement de la touche REC/DEL). Lors de l'enregistrement, l'icône REC clignotera. Afin de terminer l'enregistrement, appuyer sur la touche STOP/BAND (11, 38).

ATTENTION : Le processus d'enregistrement démarre avec quelques secondes de retard. Pendant l'enregistrement, des interférences ou des bruits peuvent être présents.

2. Pour enregistrer depuis un disque analogique, insérer le disque USB dans le port USB ou la carte SD dans le lecteur approprié (42 ou 30). Appuyer sur la touche FUNCTION (5, 35) afin de sélectionner de mode "PHON". Placer le disque analogique sur le plateau et commencer à lire la piste à enregistrer en positionnant le bras de lecture à l'endroit approprié. Les manipulations qui s'en suivent sont identiques à celles de l'enregistrement depuis la radio.

3. Pour enregistrer depuis un appareil extérieur (mode AUX), insérer le disque USB dans le port USB ou la carte SD dans le lecteur approprié (42 ou 30). Appuyer sur la touche FUNCTION (5, 35) afin de sélectionner de mode "AUX". Brancher l'appareil extérieur sur la prise AUX IN (14) et sélectionner la piste à enregistrer depuis cet appareil. Les manipulations qui s'en suivent sont identiques à celles de l'enregistrement depuis la radio.

SUPPRESSION DES FICHIERS ENREGISTRES DU DISQUE USB / DE LA CARTE SD

Suppression d'une simple piste – insérer le disque USB dans le port USB ou la carte SD dans le lecteur approprié (42 ou 30). Sélectionnez la piste que vous voulez supprimer à l'aide des touches SKIP DOWN (12, 39) et SKIP UP (13, 40) et commencez la lecture. Appuyer sur la touche REC/DEL (8, 33) pendant 3 secondes environ.

NETTOYAGE ET ENTRETIEN

- Débrancher l'appareil.
- On ne peut nettoyer le poste qu'à l'aide d'un torchon sec.
- Entreposer l'appareil dans une pièce exempte d'humidité.

ATTENTION : Ne pas utiliser d'eau pour nettoyer l'appareil car cela peut l'endommager.

CARACTERISTIQUES TECHNIQUES

Tension d'alimentation : 230V ~50Hz
Puissance RMS en sortie : 2x 1,5W



Respect de l'environnement. Nous vous prions de bien vouloir trier les emballages en carton ainsi que les sachets plastiques (en polyéthylène). L'appareil usagé ne doit pas être jeté à la poubelle mais remis au point de collecte prévu à cet effet car il contient des éléments pouvant être nocifs pour l'environnement. L'appareil électrique doit être remis de manière à limiter au maximum une éventuelle utilisation ultérieure. Si l'appareil contient des piles, il faut les retirer et les remettre à un autre point de collecte. Ne pas jeter l'appareil dans une poubelle de déchets ménagers!!!

ESPAÑOL

CONDICIONES GENERALES DE SEGURIDAD

INSTRUCCIONES IMPORTANTES DE SEGURIDAD PARA EL USUARIO

POR FAVOR LEA ATENTAMENTE Y GUÁRDELAS PARA CONSULTAR EN EL FUTURO

Si usa el aparato con fines comerciales, las condiciones de la garantía cambiarán.

- Antes de usar el equipo, lee las instrucciones del manual de uso y sigue las indicaciones que figuran en él. El fabricante no es responsable de los daños causados por el uso indebido del equipo o su manejo inadecuado.
- El equipo sirve única y exclusivamente para el uso doméstico. No lo uses para otros fines que los indicados.
- El dispositivo debe estar conectado únicamente a la toma de 230 V ~ 50 Hz. Para aumentar la seguridad del uso, no se recomienda conectar varios equipos electrónicos a un mismo circuito.
- Hay que actuar con especial precaución durante el uso del equipo, si los niños están a su

alcance. No dejar que los niños jueguen con el equipo ni que los niños o personas no familiarizadas usen el equipo.

5. **ADVERTENCIA:** Este dispositivo puede ser utilizado por niños mayores de 8 años y personas con capacidades físicas, sensoriales o mentales limitadas, sin experiencia y conocimiento, si lo hacen bajo la supervisión de una persona responsable de su seguridad y que tenga información sobre el uso seguro del dispositivo y sea consciente de los peligros asociados con su uso. Los niños no deben jugar con el dispositivo. La limpieza y el mantenimiento no deben ser realizados por los niños, a menos que sean mayores de 8 años y lo hagan bajo supervisión.

6. Siempre, después de cada uso, saca la clavija de la toma de corriente sujetando la toma con la mano. **NO tires del cable de alimentación.**

7. No sumerjas el cable, la clavija ni el equipo entero en el agua ni otro líquido. No lo expongas a los efectos de las condiciones atmosféricas (lluvia, sol, etc.) ni tampoco los uses en condiciones de alta humedad (cuartos de baño, casas de camping).

8. Controla periódicamente el estado del cable de alimentación. Si el cable de alimentación está dañado, debería ser reemplazado por un taller especializado para evitar el peligro.

9. No use el equipo con el cable de alimentación dañado o si el equipo se ha caído o dañado de cualquier otra forma o no funciona correctamente. No repares el equipo sin ayuda, porque hay riesgo de parálisis. El equipo dañado debe ser llevado a un taller de reparaciones adecuado para comprobar su funcionamiento o reparar los daños. Todas las reparaciones se pueden realizar únicamente en los talleres de reparaciones autorizados. La reparación realizada incorrectamente puede causar un grave peligro para el usuario.

10. Coloca el equipo en una superficie fría, estable y plana, lejos de los equipos de cocina que se calientan, como cocina eléctrica, cocina de gas etc.

11. No uses el equipo cerca de los materiales inflamables.

12. El cable de alimentación no puede estar colgando del borde de la mesa o tocar las superficies calientes.

13. No deje sin supervisión el aparato encendido ni el cargador conectado a la red de alimentación.

14. Para asegurar más protección, se recomienda instalar en el circuito eléctrico un Diferencial (RCD) con la corriente diferencial no superior a 30 mA. En este caso hay que recurrir al especialista eléctrico.

15. No permita que la radio se moje.

16. La radio sólo se puede limpiar con un paño seco. No utilice agua ni detergentes para limpiarlo.

17. Con el fin de garantizar la eficiencia energética del aparato, si no se registra una señal de gramófono/ entrada AUX IN durante 10 minutos, entrará automáticamente en el modo Standby.

18. La radio debe ser guardada en un lugar seco.

DESCRIPCIÓN DEL DISPOSITIVO

- | | |
|-----------------------------|--------------------------------------|
| 1. Tapa del gramófono | 23. Protector de aguja del gramófono |
| 2. Pantalla LCD | 24. Puerto LINE OUT |
| 3. Diodo de alimentación | 25. Cable de antena FM |
| 4. Altavoz incorporado | 26. Cable de alimentación |
| 5. Botón FUNCTION | 27. Botón STANDBY |
| 6. Botón SLEEP/TIMER | 28. Botón PRESET/ALBUM DN |
| 7. Entrada para auriculares | 29. Botón PRESET/ALBUM UP |
| 8. Botón REC/DEL | 30. Ranura para tarjeta SD |
| 9. Botón MODE/CLOCK | 31. Botón MUTE |

- | | |
|--|----------------------------|
| 10. Botón PLAY/PAUSE/TUNER SCAN | 32. Interruptor AUTO-STOP |
| 11. Botón STOP/BAND | 33. Botón REC/DEL |
| 12. Botón SKIP DOWN | 34. Botón FM ST. |
| 13. Botón SKIP UP | 35. Botón FUNCTION |
| 14. Entrada AUX | 36. Botón MODE/CLOCK |
| 15. Botón ALBUM/PRESET DOWN | 37. Botón PLAY/PAUSE |
| 16. Botón ALBUM/PRESET UP | 38. Botón STOP/BAND |
| 17. Botón ON/OFF / volumen | 39. Botón SKIP DOWN |
| 18. Adaptador de discos 45RPM | 40. Botón SKIP UP |
| 19. Palanca del gramófono | 41. Botones VOLUME UP/DOWN |
| 20. Bloqueo de brazo del gramófono | 42. Puerto USB |
| 21. Control de velocidad de giro del plato | |
| 22. Brazo del gramófono | |

AJUSTE DEL RELOJ

Antes del primer uso, desembale todo y retire todos los materiales de protección. Desenrolle el cable de la antena FM y el cable de alimentación. No cubra los orificios de ventilación, asegúrese de que alrededor de la radio hay unos centímetros de espacio necesario para una correcta ventilación.

1. En modo de espera, pulse y mantenga pulsado el botón MODE/CLOCK (9, 36). En la pantalla (2) parpadeará la inscripción "12h/24h". Utilice los botones SKIP DOWN (12, 39) y SKIP UP (13, 40), seleccione modo de 12 horas o 24 horas y confírmelo pulsando de nuevo el botón MODE/CLOCK (9, 36). Entonces, el dispositivo entrará en modo de edición de hora.
2. Utilice los botones SKIP DOWN (12, 39) y SKIP UP (13, 40), establezca la hora actual y confírmela pulsando el botón MODE/CLOCK (9, 36). El dispositivo entrará en modo de edición de minutos.
3. Utilice los botones SKIP DOWN (12, 39) y SKIP UP (13, 40), establezca el minuto actual y confírmelo pulsando el botón MODE/CLOCK (9, 36).

FUNCIÓN DE TEMPORIZADOR (APAGADO AUTOMÁTICO)

1. Cuando el dispositivo está encendido, pulse el botón SLEEP/TIMER (6) tantas veces hasta que seleccione el tiempo tras el cual desea que se apague el dispositivo (90, 80, 70... 10 minutos).
2. La inscripción "SLEEP" en la pantalla indica que la función de apagado automático está activa.
3. Después de pasar el tiempo seleccionado, el dispositivo se apaga y entra en modo de espera.

BOTÓN FUNCTION (5)

Se utiliza para cambiar el modo de funcionamiento del dispositivo

- PHON (modo del gramófono)
- AUX (modo de funcionamiento del dispositivo externo)
- modo de radio FM
- MP3 (modo de lectura de memoria USB/modo de lectura de tarjeta SD)

ESCUCHAR LA RADIO

1. Apague el dispositivo con el botón ON/OFF (17, 27) y establezca el modo de la radio con el botón FUNCTION (5).
 2. Utilice el botón BAND (11) para seleccionar la longitud de ondas AM o FM.
 3. Utilice los botones SKIP DOWN (12, 39) y SKIP UP (13, 40) para sintonizar la frecuencia de la radio que desee. Si mantiene pulsados estos botones durante unos 1-2 segundos se iniciará la búsqueda automática de la frecuencia siguiente. Una vez que se encuentre una emisora, la búsqueda se para.
 4. Cuando se encuentra la frecuencia de la emisora seleccionada, pulse el botón MODE/CLOCK (9, 36) para guardarla.
 5. Repita los pasos 3-4 para programar las emisoras seleccionadas (máximo 30 - FM, máximo 20 - AM).
 6. Usando los botones PRESET DOWN (15) y PRESET UP (16) puede elegir entre los programas establecidos.
 7. Girando la perilla de volumen (17) o usando los botones (40) en el control remoto puede ajustar el volumen.
 8. La antena de FM (24) está ubicada en el panel posterior. Si la recepción de la señal no es buena, trate de mover la antena y encontrar el lugar donde la señal sea más fuerte.
- La antena AM está colocada dentro de la radio. Si la recepción de la señal no es buena, trate de colocar el receptor a un lugar diferente, girarlo en otra dirección para coger una señal más fuerte.
9. El botón TUNER SCAN (10) se utiliza para buscar automáticamente y guardar las emisoras disponibles.

REPRODUCCIÓN DE ARCHIVOS MP3 DE LA MEMORIA USB/SD

ATENCIÓN: El dispositivo no es compatible con todos los archivos debido a las diferencias en la codificación. El dispositivo no funciona con todas las memorias USB/SD. El dispositivo es compatible con las memorias USB y las tarjetas SD de hasta 8GB.

1. Encienda el reproductor con el interruptor ON/OFF (17, 27). Coloque la memoria USB o SD en la ranura (ranura USB - 42, SD - 30).
2. Seleccione el modo de trabajo con el botón FUNCTION (5, 35).
3. El dispositivo leerá la memoria y la pantalla mostrará el número de pistas grabadas. Entonces, la unidad comenzará a reproducir la primera pista.
4. Utilice el botón PLAY/PAUSE (10, 37) para hacer una pausa y repetir la reproducción de la pista.
5. Utilice los botones SKIP DOWN (12, 39) y SKIP UP (13, 40) para reproducir las pistas anteriores o siguientes. Mantener pulsados estos botones durante la reproducción de una pista hace que sea rebobinada adelante o atrás.
6. Utilice los botones ALBUM DOWN (15, 28) y ALBUM UP (16, 29) para reproducir el archivo con las pistas anterior o siguiente.
7. Durante la reproducción de pista, pulse una vez el botón MODE/CLOCK (9, 36) para repetirla. Al pulsar de nuevo el botón MODE/CLOCK (9, 36) se repetirá todo el contenido de la memoria USB/tarjeta SD.
8. La extracción de la memoria USB/tarjeta SD de las ranuras debe hacerse después de apagar la radio o poner el dispositivo en el modo de escuchar la radio, reproducción de discos de vinilo ("PHON") o el dispositivo externo ("AUX").

Puede reproducir archivos de música guardados en un teléfono móvil equipado con Bluetooth, para reproducirlos en la radio con toma de corriente.

1. Encienda el dispositivo, presione el botón "FUNCIÓN" para seleccionar el modo Bluetooth.
2. Active la conexión Bluetooth del dispositivo de reproducción multimedia. El dispositivo de reproducción de medios buscará ahora dispositivos para los que pueda conectar.

3. El dispositivo de reproducción de medios debería recibir ahora el código de dispositivo CR 1168
4. Use el dispositivo de reproducción de medios para conectarse a la radio. Para hacer esto, seleccione CR 1168 en el dispositivo de reproducción multimedia.

EL USO DEL DISPOSITIVO CONECTADO POR LA ENTRADA UNIVERSAL AUX IN:

1. Conecte el dispositivo externo al reproductor a través de la entrada AUX IN (14).
2. Ponga el reproductor en el modo AUX IN pulsando el botón FUNCTION (5).

REPRODUCCIÓN DE DISCOS DE VINILO

Antes del primer uso, retire el protector de aguja del gramófono (23) y deshaga el nudo que asegura el brazo situado al lado del bloque de la mesa giratoria (20).

1. Suelte el bloqueo del brazo (20) y ponga el dispositivo en el modo PHON pulsando el botón FUNCTION (5, 35).
2. Coloque el disco en el plato del gramófono. Si es necesario, utilice el adaptador (18).
3. Elija una velocidad de giro del disco (la velocidad de reproducción depende del tipo de disco) mediante el interruptor (21).
4. Levante el brazo del gramófono con la palanca (19) y comenzará la rotación del plato con el disco. Deslice suavemente el brazo en la pista que desea escuchar. Baje el brazo de aguja con ayuda de la palanca (19).
5. Puede ajustar el volumen girando la perilla de control de volumen (17) o con los botones (40) en el mando a distancia.
6. Para detener la reproducción del disco, suba el brazo del gramófono con ayuda de la palanca (19).
7. Al final de la reproducción, levante el brazo del gramófono con ayuda de la palanca (19). Deslice el brazo encima del bloqueo (20) y bájelo con ayuda de la palanca (19).
8. Utilice el interruptor AUTO-STOP (32) para activar o desactivar la función AUTO-STOP.

GRABACIÓN EN LA MEMORIA USB/TARJETA SD

1. Grabación de la radio - ponga la memoria USB/tarjeta SD en la ranura correspondiente (42 o 30). Pulse el botón FUNCTION (5, 35) para seleccionar la radio. Utilice el botón BAND (11) para seleccionar la longitud de ondas AM o FM. Utilice los botones SKIP DOWN (12, 39) y SKIP UP (13, 40) para sintonizar la frecuencia de la radio que desee. Pulse el botón REC/DEL (8, 33). En unos segundos el dispositivo leerá las memorias USB/SD disponibles. Utilice los botones SKIP DOWN (12, 39) y SKIP UP (13, 40) y seleccione si desea grabar en la memoria USB o tarjeta SD. Confirme re-pulsando el botón REC/DEL (8, 33). Después de unos segundos el dispositivo iniciará la grabación en la memoria seleccionada (Si se conecta solo la memoria USB o tarjeta SD, la primera presión del botón REC/DEL iniciará la grabación después de unos segundos). Durante la grabación parpadeará el icono de REC. Para detener la grabación pulse el botón STOP/BAND (11, 38)..
- ATENCIÓN: La puesta en funcionamiento del proceso de grabación de la radio se inicia con un retraso de unos pocos segundos. Puede haber interferencias/ruidos durante la grabación de la radio.
2. Grabación del disco de vinilo - inserte la memoria USB/tarjeta SD en la ranura correspondiente (42 o 30). Pulse el botón FUNCTION (5, 35) para seleccionar el modo "PHON". Coloque el vinilo en el plato y empiece a reproducir la pista que desea grabar colocando el brazo del gramófono en el lugar correspondiente. Los pasos siguientes son los mismos que en el caso de grabación de la radio.
3. La grabación del dispositivo externo (modo AUX) - inserte la memoria USB/tarjeta SD en la ranura correspondiente (42 o 30). Pulse el botón FUNCTION (5, 35) para seleccionar el modo "AUX". Conecte los dispositivos externos a la entrada AUX IN (14) y abra el dispositivo externo en el que desee grabar. Los pasos siguientes son los mismos que en el caso de grabación de la radio.

ELIMINACIÓN DE PISTAS DE MEMORIA USB/TARJETA SD

Eliminación de una pista - inserte la memoria USB/tarjeta SD en la ranura correspondiente (42 o 30). Seleccione la pista que desea borrar con los botones SKIP DOWN (12, 39) y SKIP UP (13, 40) y empiece a reproducirla. Mantenga pulsado durante unos 3 segundos el botón REC/DEL (8, 33).

LIMPIEZA Y CONSERVACIÓN

1. Desconecte el dispositivo de la corriente.
 2. El dispositivo se puede limpiar con un paño seco.
 3. El dispositivo debe ser guardado en un lugar seco.
- ATENCIÓN: No use agua para limpiar porque puede dañar el dispositivo.

FICHA TÉCNICA:

Tensión de alimentación: 230V ~50Hz
Potencia de RMS de salida: 2x 1,5W



Preocupación por el medio ambiente. Por favor, lleva las cajas de cartón a un sitio de reciclaje. Las bolsas de polietileno se deben tirar al cubo de la basura amarillo (para envases). El equipo gastado debe ser entregado en el punto de almacenamiento adecuado, porque las piezas que constituyen el equipo pueden suponer un peligro para el medio ambiente. Debes entregar el equipo Hay que devolver el equipo eléctrico con el fin de evitar su reutilización. Si en el equipo se encuentran pilas, hay que sacarlas y entregar por separado, en un punto de almacenamiento adecuado. No tires el equipo al contenedor para residuos urbanos!!

PORTUGUÊS

CONDIÇÕES GERAIS DE SEGURANÇAS INSTRUÇÕES IMPORTANTES RELATIVAS À SEGURANÇA DE UTILIZAÇÃO DEVEM SER LIDAS COM ATENÇÃO E GUARDADAS PARA A POSTERIOR UTILIZAÇÃO

Em caso da sua utilização para os fins comerciais, as condições de garantia são sujeitas às alterações.

1. Antes de começar a utilização do dispositivo deve-se ler o manual de serviço e as

- instruções nele incluídas. O fabricante não é responsável pelos danos causados pela utilização não conforme a sua aplicação ou pelo manejo inadequado do mesmo.
2. O dispositivo serve somente para uso doméstico. Não utilizar para outros fins, não conformes a sua aplicação.
 3. O dispositivo deve-se ligar exclusivamente à tomada de 230 V ~ 50 Hz. Para aumentar a segurança de utilização, a um circuito de corrente não se devem ligar vários dispositivos elétricos ao mesmo tempo.
 4. Devem-se tomar precauções especiais durante a utilização do dispositivo quando há crianças nas proximidades. Não se deve permitir brincar às crianças com o dispositivo. Não se deve permitir utilizar o dispositivo às crianças e pessoas não familiarizadas com o dispositivo.
 5. **ADVERTÊNCIA:** O presente dispositivo pode ser utilizado pelas crianças com idade superior a 8 anos e pelas pessoas com capacidade física ou psíquica limitadas ou pelas pessoas que não foram instruídas com as regras de utilização, desde que tal utilização se realize sob vigilância de pessoa responsável pela segurança ou desde que estas pessoas tenham sido instruídas sobre as regras de utilização do aparelho e advertidas sobre o perigo relacionado com tal utilização. As crianças não devem brincar com o presente aparelho. A limpeza e conservação do aparelho não devem ser realizadas por crianças, a não ser que cumpram 8 anos de idade e desde que efetuadas sob vigilância de adultos.
 6. Sempre depois de finalizar o uso, tirar o pino de tomada da tomada de alimentação agarrando com a mão a tomada de alimentação. **NÃO** tirar para si o cabo de alimentação.
 7. Não submergir o cabo, pino de tomada nem todo o dispositivo em água ou outro líquido. Não expôr o dispositivo à ação das condições atmosféricas (chuva, sol, etc.) nem utilizar em condições de umidade aumentada (banheiros, casas de camping úmidas).
 8. Verificar periodicamente o estado de cabo de alimentação. Se o cabo de alimentação está deteriorado, então deve ser substituído por uma oficina de reparos especializada para evitar o perigo.
 9. Não utilizar o dispositivo com o cabo de alimentação deteriorado ou se foi deixado cair ou foi deteriorado de qualquer outra maneira ou funciona de maneira incorreta. Não o dispositivo por conta própria porque existe perigo de choque elétrico.
O dispositivo deteriorado deve-se levar ao ponto de serviço técnico adequado para levar a cabo a verificação ou reparação. Todo tipo de reparações podem ser levadas a cabo somente pelos pontos de serviço técnico autorizados. A reparação realizada de maneira incorreta pode ser causa de grave perigo para o usuário."
 10. O dispositivo deve-se colocar numa superfície fria, estável, plana, longe de aparelhos de cozinha que se esquentam como: cozinha elétrica, queimador a gas, etc.
 11. Não utilizar o dispositivo perto de materiais inflamáveis.
 12. O cabo de alimentação não pode pender da borda da mesa ou tocar superfícies quentes.
 13. Não deixar sem supervisão o dispositivo ligado à tomada.
 14. Para garantir a proteção adicional, recomenda-se instalar no circuito elétrico um disjuntor diferencial (RCD) destinado à corrente nominal inferior a 30 mA. Neste âmbito é recomendável perguntar um electricista.
 15. Não permitir que o rádio fique molhado.
 16. Pode-se limpar o rádio apenas com um tecido seco. Não utilizar água ou outros líquidos para a limpeza.
 17. A fim de assegurar a eficiência energética do dispositivo, se não registar um sinal de

gramofone/ entrada AUX IN durante 10 minutos, entrará automaticamente no modo Standby.

18. O rádio deve ser armazenado num lugar seco.

DESCRIÇÃO DO GIRA-DISCOS

- | | |
|--|----------------------------|
| 1. Tampa do gira-discos | 23. Proteção de agulha |
| 2. Mostrador LCD | 24. Entrada LINE OUT |
| 3. Lâmpada de alimentação | 25. Cabo de antena FM |
| 4. Alto-falante | 26. Cabo de alimentação |
| 5. Botão FUNCTION | 27. Botão STANDBY |
| 6. Botão SLEEP/ TIMER | 28. Botão PRESET/ ALBUM DN |
| 7. Entrada para auscultadores | 29. Botão PRESET/ ALBUM UP |
| 8. Botão REC/ DEL | 30. Porta dos cartões SD |
| 9. Botão MODE/ CLOCK | 31. Botão MUTE |
| 10. Botão PLAY/PAUSE/TUNER SCAN | 32. Botão AUTO-STOP |
| 11. Botão STOP/ BAND | 33. Botão REC/ DEL |
| 12. Botão SKIP DOWN | 34. Botão FM ST. |
| 13. Botão SKIP UP | 35. Botão FUNCTION |
| 14. Entrada Aux | 36. Botão MODE/ CLOCK |
| 15. Botão ALBUM/ PRESET DOWN | 37. Botão PLAY/PAUSE |
| 16. Botão ALBUM/ PRESET UP | 38. Botão STOP/ BAND |
| 17. Botão ON/ OFF/ regulação de intensidade do som | 39. Botão SKIP DOWN |
| 18. Adaptador dos discos 45RPM | 40. Botão SKIP UP |
| 19. Alavanca do gira-discos | 41. Botão VOLUME UP/ DOWN |
| 20. Arco de retenção do braço | 42. Porta USB |
| 21. Regulação de velocidade do prato | |
| 22. Braço | |

ACERTAMENTO DO RELÓGIO

Antes da primeira utilização tire tudo da embalagem e remova todos os materiais de proteção. Desenrole o cabo de antena e o cabo de alimentação. Não tape os buracos de ventilação, assegure-se de que em redor do rádio há um espaço suficiente para a ventilação adequada.

1. No modo de espera premir e manter o botão MODE/CLOCK (9, 36). No mostrador (2) começará a piscar a inscrição "12H/24H". Através dos botões SKIP DOWN (12, 39) e SKIP UP (13, 40) seleccionar o modo de 12 horas ou de 24 horas e a seguir premir novamente o botão MODE/CLOCK (9, 36). Neste caso o aparelho tomará o modo de edição da hora.
2. Através dos botões SKIP DOWN (12, 39) e SKIP UP (13, 40) acertar a hora atual e a seguir confirmar ao premir o botão MODE/CLOCK (9, 36). O dispositivo passará ao modo de edição de minutos.
3. Através dos botões SKIP DOWN (12, 39) e SKIP UP (13, 40) acertar o minuto atual e a seguir confirmar ao premir o botão MODE/CLOCK (9, 36).

FUNÇÃO DE TIMER (DESLIGAÇÃO AUTOMÁTICA)

1. Quando o aparelho está desligado, premir o botão SLEEP/TIMER (6) tantas vezes quantas forem necessária para acertar o tempo de desligação (90, 80, 70...10 minutos).
2. A inscrição "SLEEP" no mostrador informa que a função de desligação automática está ativada.
3. Passado o tempo desejado, o aparelho desligar-se-á e passará ao modo de espera.

BOTÃO FUNCTION (5)

Serve para mudar o modo de trabalho do aparelho

- PHON (modo de trabalho do gira-discos)
- AUX (modo de operação do periférico)
- modo do rádio FM
- MP3 (modo de reprodução do disco USB/modo de reprodução do cartão SD)

OUVIR RÁDIO

1. Ligar o aparelho ao premir o botão ON/OFF (17, 27) e ajustar o modo do rádio através do botão FUNCTION (5).
 2. Através do botão BAND (11) seleccionar o comprimento das ondas AM ou FM.
 3. Através dos botões SKIP DOWN (12, 39) e SKIP UP (13, 40) configurar a frequência desejada. Ao premir estes botões e mantê-los por 1-2 segundos fará com que o rádio procure a frequência mais próxima. Uma vez encontrada a frequência, a procura será parada.
 4. Uma vez encontrada a frequência desejada premir o botão MODE/CLOCK (9, 36) a fim de gravá-la.
 5. Repetir os passos 3-4 para programar as estações seleccionadas (no máx. 30 programas - FM, no máx. 20 programas - AM).
 6. Através dos botões PRESET DOWN (15) e PRESET UP (16) pode seleccionar uma estação de entre as programadas.
 7. Ao girar o botão de regulação da intensidade do som (17) ou ao premir os botões (40) no telecomando pode ajustar a intensidade do som.
 8. A antena FM (24) encontra-se no painel traseiro. Caso o sinal seja demasiado fraco, desloque a antena e tente encontrar um lugar no qual o sinal será mais intenso.
- A antena AM encontra-se no meio do rádio. Caso o sinal seja demasiado fraco, tente deslocar o receptor para o outro lugar ou vire-o a fim de apanhar o melhor sinal.
9. O botão TUNER SCAN (10) serve para a procura e gravação automática das estações disponíveis.

REPRODUÇÃO DOS FICHEIROS MP3 DA MEMÓRIA USB/SD

CUIDADO: O aparelho pode não ser compatível com todos os ficheiros devido às diferenças na codificação. O aparelho pode não ser compatível com algumas memórias USB/SD. O aparelho trabalha com as memórias USB e os cartões SD com capacidade até 8GB.

1. Ligar o reprodutor ao premir o botão ON/OFF (17, 27). Inserir a memória USB ou SD na porta (porta USB - 42, porta SD - 30).
2. Seleccionar o modo de trabalho ao premir o botão FUNCTION (5, 35).

3. O aparelho reproduzirá a memória apresentando no mostrador o número de músicas gravadas. A seguir, o aparelho começará a reproduzir a primeira música.
4. Através do botão PLAY/PAUSE (10, 37) pode-se parar ou repetir a reprodução de uma dada música.
5. Através dos botões SKIP DOWN (12, 39) e SKIP UP (13, 40) pode-se selecionar a reprodução das músicas anteriores ou seguintes. Ao premir e manter estes botões durante a reprodução da música, rebinará a música para frente ou para trás.
6. Através dos botões ALBUM DOWN (15, 28) e ALBUM UP (16, 29) pode-se passar ao álbum anterior ou seguinte.
7. Durante a reprodução da música, premir uma vez o botão MODE/CLOCK (9, 36) para ativar a repetição de uma música. Ao premir novamente o botão MODE/CLOCK (9, 36) causará a reprodução de todo o conteúdo da memória USB/do cartão SD.
8. Para retirar a memória USB/cartões SD das portas, primeiro deve-se desligar o rádio, ou ajustar o modo do rádio, da reprodução dos discos vinyl ("PHON") ou do periférico ("AUX").

Você pode reproduzir arquivos de música salvos em um telefone celular equipado com Bluetooth, para reprodução no rádio do soquete de energia.

1. Ligue o dispositivo, pressione o botão "FUNCTION" para selecionar o modo Bluetooth. .
2. Ative a conexão Bluetooth do dispositivo de reprodução de mídia. O dispositivo de reprodução de mídia agora procurará dispositivos aos quais conectar.
3. O dispositivo de reprodução de mídia deve estar recebendo o código do dispositivo CR 1168
4. Use o dispositivo de reprodução de mídia para conectar ao rádio. Para isso, selecione CR 1168 no dispositivo de reprodução de mídia.

UTILIZAÇÃO DOS PERIFÉRICOS CONECTADOS ATRAVÉS DA ENTRADA AUX IN:

1. Conectar o periférico ao aparelho através da entrada AUX IN (14).
2. Pressione o botão FUNCTION (5) para ajustar o modo de operação AUX IN.

LEITURA DOS DISCOS VINYL

Antes da primeira utilização do gira-discos, retirar a proteção da agulha (23) e desatar o nó que segura o braço do gira-discos e que se encontra junto ao bloqueio do braço (20).

1. Soltar o bloqueio do braço (20) e ajustar o aparelho no modo PHON através do botão FUNCTION (5, 35).
2. Pôr o disco no prato. Caso seja necessário, utilizar o adaptador (18).
3. Selecione a velocidade de rotações do disco (em função do tipo de disco) mediante o regulador (21).
4. Através da alavanca (19) levantar o braço do gira-discos fazendo com que o prato com o disco comece a girar. Passe o braço delicadamente encima da música que quer ouvir. Baixe o braço da agulha mediante a alavanca (19).
5. Ao girar o botão de intensidade do som (17) ou ao premir os botões (40) no telecomando pode configurar a intensidade do som.
6. Para interromper a reprodução do disco, levantar o braço do gira-discos através da alavanca (19).
7. Uma vez acabada a reprodução, levantar o braço do gira-discos através da alavanca (19). Deslocar o braço para o bloqueio (20) e baixar através da alavanca (19).
8. Para desativar a função AUTO-STOP utilizar o botão AUTO-STOP (32).

GRAVAÇÃO DO DISCO USB/CARTÃO SD

1. Gravação da música do rádio – inserir o disco USB/cartão SD na porta adequada (42 ou 30). Premir o botão FUNCTION (5, 35) para ajustar o rádio. Através do botão BAND (11) selecionar o comprimento das ondas AM ou FM. Através dos botões SKIP DOWN (12, 39) e SKIP UP (13, 40) configurar a frequência desejada. Premir o botão REC/DEL (8, 33). Passados alguns segundos, o aparelho lerá as memórias USB/SD. Através dos botões SKIP DOWN (12, 39) e SKIP UP (13, 40) selecionar a memória que quer gravar na memória USB ou SD. Confirmar ao premir novamente o botão REC/DEL (8, 33). Depois de alguns segundos começará a gravação do conteúdo na memória portátil selecionada (Caso esteja conectada apenas a memória USB ou apenas o cartão SD, ao premir o botão REC/DEL iniciará a gravação). Durante a gravação, o ícone REC vai piscar. Para parar a gravação deve-se premir o botão TOP/BAND (11, 38).

CUIDADO: A gravação da música do rádio começa sempre com um atraso de alguns segundos.

Durante a gravação da música do rádio podem ocorrer interferências/ sussurros.

2. Gravação da música do disco vinyl – inserir o disco USB/cartão SD na porta adequada (42 ou 30). Premir o botão FUNCTION (5, 35) para selecionar o modo "PHON". Pôr o disco vinyl no prato e começar a reproduzir a música que quer gravar, ao colocar o braço do gira-discos no lugar adequado. Os passos seguintes são idênticos à gravação do rádio.

3. Gravação da música do periférico (modo AUX) – inserir o disco USB/cartão SD na porta adequada (42 ou 30). Premir o botão FUNCTION (5, 35) para selecionar o modo "AUX". Inserir o periférico na porta AUX IN (14) e selecionar a música que quer gravar. Os passos seguintes são idênticos à gravação do rádio.

COMO APAGAR A MÚSICA DO DISCO USB/CARTÃO SD

Para apagar a música única deve-se inserir o disco USB/cartão SD na porta adequada (42 ou 30). A seguir, selecionar a música que quer apagar através dos botões SKIP DOWN (12, 39) e SKIP UP (13, 40) e começar a reproduzi-la. Premir e manter por uns 3 segundos o botão REC/DEL (8, 33).

LIMPEZA E CONSERVAÇÃO

1. Desconectar o aparelho da rede elétrica.
2. O aparelho pode ser limpo apenas com um tecido seco.
3. O aparelho deve ser guardado num local seco.

CUIDADO: Não utilizar água para a limpeza, pois tal ação pode danificar o aparelho.

DADOS TÉCNICOS

Alimentação: 230 V ~ 50 Hz

Potência RMS de saída: 2x 1,5W



Proteção do meio ambiente. Rogamos, os embalagens de cartão destinem-se para papéis velhos. Os sacos de polietileno (PE) devem-se colocar em contenedores para material plástico. O dispositivo usado deve-se levar a um ponto de armazenamento adequado porque os componentes perigosos que ficam dentro do dispositivo podem ser perigosos para o meio ambiente. O dispositivo elétrico deve-se entregar de modo que se reduza a sua nova utilização e uso. Se no dispositivo há pilhas, devem-se tirar e levar a um ponto de armazenamento em separado. Não colocar o dispositivo em contenedores para resíduos municipais!

BENDROSIOS SAUGOS SALYGOS SVARBIAS SAUGAUS NAUDOJIMO INSTRUKCIJAS BŪTINA ATIDŽIAI PERSKAITYTI IR IŠSAUGOTI ATEICIAI

Jeigu prietaisas naudojama komerciniais tikslais, taikomos kitokios garantijos sąlygos.

1. Prieš pradėdant naudoti prietaisą būtina perskaityti naudojimo instrukciją ir vadovautis joje pateikiamais nurodymais. Gamintojas neatsako už žalą, padarytą naudojant prietaisą ne pagal jo paskirti ar netinkamai jį naudojant.
2. Prietaisas skirtas naudoti tik namų ūkyje. Nenaudoti kitiems tikslams, neatitinkantiems jo paskirties.
3. Prietaisą galima jungti tik į 230 V ~ 50 Hz. Naudojimo saugai padidinti į vieną srovės grandinę vienu metu nejungti kelių elektros prietaisų.
4. Būtina imtis ypatingo atsargumo naudojantis prietaisu, kai šalia yra vaikų. Neleisti vaikams žaisti su prietaisu. Neleisti vaikams ar prietaiso neišmanantiems asmenims juo naudotis.
5. **SPEJIMAS:** Šis prietaisas gali būti naudojamas vyresnių nei 8 metų amžiaus vaikų ir ribotų fizinių, jutiminių ar psichinių gebėjimų ar asmenų, neturinčių patirties ar nemokančių naudotis, jeigu juos prižiūri už jų saugą atsakingas asmuo ar jiems buvo paaiškinta, kaip saugiai naudoti prietaisą ir jie suvokia su jo naudojimu susijusius pavojus. Neleisti vaikams žaisti su prietaisu. Neleisti prietaisą valyti ir prižiūrėti vaikams, nebent jie yra vyresni nei 8 metų amžiaus ir juos prižiūri.
6. Prieš valant ar baigus naudoti kištuką ištraukti iš tinklo lizdo prilaikant lizdą ranka. **NETRAUKTI** už maitinimo laido.
7. Nenardinti laido, kištuko ar viso prietaiso į vandenį ar kitokį skystį. Nepalikti prietaiso, kad jį veiktų aplinkos veiksniai (lietus, saulė ir pan.), taip pat nenaudoti padidėjusios drėgmės sąlygomis (vonios kambariuose, drėgnuose kempingo nameliuose).
8. Periodiškai patikrinti maitinimo laido būklę. Pažeistas laidas turėtų būti pakeistas specializuotos taisyklos, kad būtų išvengta galimo pavojaus.
9. Nenaudoti prietaiso, jeigu pažeistas maitinimo laidas ar prietaisas buvo numestas, kitaip sugadintas arba netinkamai veikia. Netaisyti prietaiso savarankiškai, nes gresia smūgis. Sugadintą prietaisą atiduoti atitinkamam servisui, kad patikrintų ar pataisytų. Bet kokius taisymus gali atlikti tik įgaliotieji servais. Netinkamai atliktas taisymas gali kelti rimtą pavojų naudotojui.
10. Prietaisą statyti ant vėsaus, stabilaus, lygaus paviršiaus, toliau nuo kaistančių virtuvės prietaisų: elektrinės viryklės, dujų degiklių ir pan.
11. Nenaudoti prietaiso šalia degių medžiagų.
12. Maitinimo laidas negali kabėti už stalo briaunos ar liestis su karštais paviršiais.
13. Nepalikti į lizdą įjungto prietaiso be priežiūros.
14. Papildomai apsaugai užtikrinti rekomenduojama elektros tinklą įrengti srovės diferencinį prietaisą (RCD), kurio vardinė diferencinė srovė neviršija 30 mA. Šiuo atveju būtina kreiptis į kvalifikuotą elektriką.
15. Saugoti, kad radijas nesudrėktų.
17. Radiją galima valyti tik sausu skudurėliu. Nenaudoti vandens ir valiklių.
17. Kad užtikrinti prietaiso energijos taupymą, jeigu per 10 minučių nebus užregistruotas signalas iš gramofonow/AUX IN įėjimas, automatiškai pereis į Standby režimą.
18. Radiją laikyti sausoje patalpoje.

PRIETAISO APRAŠYMAS

- | | |
|----------------------------|--------------------------------|
| 1. Gramofono dangtis | 23. Gramofono adatos gaubtelis |
| 2. LCD displejus | 24. Lizdas LINE OUT |
| 3. Maitinimo diodas | 25. FM antenos laidas |
| 4. Įmontuotas garsiakalbis | 26. Maitinimo laidas |
| 5. Mygtukas FUNCTION | 27. Mygtukas STANDBY |
| 6. Mygtukas SLEEP/TIMER | 28. Mygtukas PRESET/ALBUM DN |
| 7. Ausinių jungtis | 29. Mygtukas PRESET/ALBUM UP |

- | | |
|---|-----------------------------|
| 8. Mygtukas REC/DEL | 30. SD kortelių lizdas |
| 9. Mygtukas MODE/CLOCK | 31. Mygtukas MUTE |
| 10. Mygtukas PLAY/PAUSE/TUNER SCAN | 32. Jungiklis AUTO-STOP |
| 11. Mygtukas STOP/BAND | 33. Mygtukas REC/DEL |
| 12. Mygtukas SKIP DOWN | 34. Mygtukas FM ST. |
| 13. Mygtukas SKIP UP | 35. Mygtukas FUNCTION |
| 14. AUX jungtis | 36. Mygtukas MODE/CLOCK |
| 15. Mygtukas ALBUM/PRESET DOWN | 37. Mygtukas PLAY/PAUSE |
| 16. Mygtukas ALBUM/PRESET UP | 38. Mygtukas STOP/BAND |
| 17. Jungiklis ON/OFF / garsumo reguliavimas | 39. Mygtukas SKIP DOWN |
| 18. Plokštelių adapteris 45RPM | 40. Mygtukas SKIP UP |
| 19. Gramofono svirtis | 41. Mygtukas VOLUME UP/DOWN |
| 20. Gramofono peties blokvimas | 42. USB lizdas |
| 21. Disko sukimo greičio reguliavimas | |
| 22. Gramofono petys | |

LAIKRODŽIO NUSTATYMAS

Prieš pirmą kartą naudojant viską išpakuoti ir pašalinti visas apsaugines medžiagas. Išvynioti FM antenos ir maitinimo laidus. Neuždengti vėdinimo angų, įsitikinti, kad apie radiją yra kelių centimetrų tarpas tinkamam vėdinimui užtikrinti.

1. Budėjimo režimu paspausti ir palaikyti mygtuką MODE/CLOCK (9, 36). Displėjuje (2) pradės mirgėti užrašas „12H/24H“. Mygtukais SKIP DOWN (12, 39) ir SKIP UP (13, 40) parinkti 12 arba 24 valandų režimą ir patvirtinti dar kartą paspaudus mygtuką MODE/CLOCK (9, 36). Prietaisas persijungs į valandų redagavimo režimą.
2. Mygtukais SKIP DOWN (12, 39) ir SKIP UP (13, 40) nustatyti valandą ir patvirtinti paspaudus mygtuką MODE/CLOCK (9, 36). Prietaisas persijungs į minučių redagavimo režimą.
3. Mygtukais SKIP DOWN (12, 39) ir SKIP UP (13, 40) nustatyti minutes ir patvirtinti paspaudus mygtuką MODE/CLOCK (9, 36).

LAIKMAČIO FUNKCIJA (AUTOMATINIS IŠJUNGIMAS)

1. Kai prietaisas įjungtas, mygtuką SLEEP/TIMER (6) paspausti reikiama kartų kiekį laikui, po kurio prietaisas turėtų išsijungti (90, 80, 70...10 minučių) nustatyti.
2. Užrašas „SLEEP“ displėjuje rodo, kad automatinio išjungimo funkcija yra aktyvi.
3. Praėjus pasirinktam laikui prietaisas išsijungia ir pereina į budėjimo režimą.

MYGTUKAS FUNCTION (5)

Skirtas prietaiso veikimo režimui keisti.

- PHON (gramofono režimas)
- AUX (išorinio įrenginio režimas)
- FM radijo režimas
- MP3 (skaitymo iš USB atminties režimas/skaitymo iš SD kortelės režimas)

RADIJO KLAUSYMAS

1. Įjungti prietaisą mygtuku ON/OFF (17, 27) ir mygtuku FUNCTION (5) nustatyti radijo režimą.
2. Mygtuku BAND (11) parinkti AM arba FM bangų ilgį.
3. Mygtukais SKIP DOWN (12, 39) ir SKIP UP (13, 40) suderinti pageidaujamą radijo dažnį. Paspaudus ir maždaug 1–2 sekundes palaikius šiuos mygtukus automatiškai išskomas artimiausias dažnis. Radus jį, paieška sustabdoma.
4. Kai randamas pasirinktos stoties dažnis, spausiti mygtuką MODE/CLOCK (9, 36) stocią išsaugoti.
5. Pasirinktomis stotims (iki 30 programų - FM, iki 20 programų - AM) išsaugoti kartoti 3–4 žingsnius.
6. Mygtukais PRESET DOWN (15) ir PRESET UP (16) galima rinktis iš išsaugotų programų.
7. Sukant garsumo reguliavimą rankenėle (17) arba puotelio mygtukais (40) galima nustatyti garso stiprumą.
8. FM antena (24) yra galiniame viduje. Jeigu signalas yra per silpnas, bandyti perkelti anteną ir rasti vietą, kurioje signalas yra stipriausias. AM antena įrengta radijo imtuvo skyde. Jeigu signalas yra per silpnas, bandyti perkelti imtuvą į kitą vietą, pasukti jį kita kryptimi stipriausiam signalui pagauti.
9. Mygtukas TUNER SCAN (10) skirtas automatiškai ieškoti ir išsaugoti pasiekiamas radijo stotis.

MP3 FAILŲ ATKŪRIMAS IŠ USB/SD ATMIINTIES

DĖMESIO: Prietaisas gali būti nesuderinamas su visais failais dėl kodavimo skirtumų. Prietaisas gali neveikti su kai kurių USB/SD atminties rūšimis. Prietaise galima naudoti USB atmintį ir SD kortelės iki 8 GB talpos.

1. Grotuva įjungti jungikliu ON/OFF (17, 27). USB ar SD atmintį įdėti į lizdą (USB lizdas – 42, SD lizdas – 30).
2. Mygtuku FUNCTION (5, 35) parinkti režimą.
3. Prietaisas nuskaitys atmintį ir displėjuje parodys įrašytų kūrinių skaičių. Po to prietaisas pradeda atkurti pirmąjį kūrinių.
4. Mygtuku PLAY/PAUSE (10, 37) galima sustabdyti ir iš naujo paleisti kūrinių.
5. Mygtukais SKIP DOWN (12, 39) ir SKIP UP (13, 40) galima parinkti, kad grotu ankstesnius ar tolimesnius kūrinius. Kūrinio atkūrimo metu paspaudus ir palaikius šiuos mygtukus kūrinio takelis paslenkamas atgal ar pirmyn.
6. Mygtukais ALBUM DOWN (15, 28) ir ALBUM UP (16, 29) galima parinkti, kad grotu ankstesnį ar tolimesnį katalogo kūrinių.
7. Grojiant kūrinių vieną kartą paspausti mygtuką MODE/CLOCK (9, 36) vieno kūrinio kartojimui įjungti. Dar kartą paspaudus mygtuką MODE/CLOCK (9, 36) kartojamas visas USB atminties/SD kortelės turinys.
8. USB atmintį/SD kortelę iš lizdo galima ištraukti tik išjungus radiją arba perjungus į radijo, gramofono plokštelių („PHON“) ar išorinio prietaiso („AUX“) režimą.

Galite atkurti muzikos failus, išsaugotus mobiliajame telefone su „Bluetooth“, kad galėtumėte atkurti maitinimo lizdo radiją.

1. Įjunkite įrenginį, paspauskite „FUNCTION“ mygtuką, kad pasirinktumėte „Bluetooth“ režimą.
2. Įjunkite medijos atkūrimo įrenginio „Bluetooth“ ryšį. Medijos atkūrimo įrenginys dabar ieško įrenginių, į kuriuos jis gali prisijungti.
3. Dabar medijos atkūrimo įrenginys turėtų priimti įrenginio kodą CR 1168
4. Norėdami prisijungti prie radijo, naudokite medijos atkūrimo įrenginį. Norėdami tai padaryti, laikmenas atkūrimo įrenginyje pasirinkite CR 1168.

PER UNIVERSALIAJĄ JUNGTĮ AUX IN JUNGIAMO PRIETAISO NAUDOJIMAS:

1. Įjungti išorinį prietaisą į grotuvo AUX IN jungtį (14).
2. Mygtuku FUNCTION (5) įjungti grotuvo režimą AUX IN.

VINILO PLOKŠTELIŲ ATKŪRIMAS

Prieš naudojant gramofoną nuimti gramofono adatos gaubtelį (23) ir atrišti gramofono peties apsauginę kilpą, esančią prie gramofono peties blokvimo (20).

1. Atleisti peties blokavimą (20) ir mygtuku FUNCTION (5, 35) nustatyti prietaiso režimą PHON.
2. Padėti plokštelei ant gramofono disko. Jeigu būtina, naudoti adapterį (18).
3. Jungikliu (21) parinkti disko sukimo greitį (atkūrimo greitį pagal plokštelės tipą).
4. Svirtele (19) pakelti gramofono petį – pradėdamas sukti diskas su gramofono plokštele. Švelniai perkelti petį virš norimo klausytis kūrinio. Svirtele (19) nuleisti adatos petį.
5. Sukant garsumo reguliavimo rankenėlę (17) arba pultelio mygtukais (40) galima nustatyti garso stiprumą.
6. Plokštelei sustabdyti pakelti gramofono petį svirtele (19).
7. Baigus groti plokštelei pakelti gramofono petį gramofono svirtele (19). Pastumti petį virš blokavimo (20) ir nuleisti svirtele (19).
8. Funkcijai AUTO-STOP įjungti ar išjungti naudoti jungiklį AUTO-STOP (32).

ĮRAŠYMAS | USB ATMINTI/SD KORTELE

1. Įrašymas iš radijo – įdėti USB atmintį/SD kortelę į reikiamą lizdą (42 arba 30). Paspausti mygtuką FUNCTION (5, 35) radijo režimui parinkti. Mygtuku BAND (11) parinkti AM arba FM bangų ilgį. Mygtukais SKIP DOWN (12, 39) ir SKIP UP (13, 40) suderinti pageidaujama radijo dažnį. Spausi mygtuką REC/DEL (8, 33). Prietaisas per kelias sekundes nuskaitys pasiekiamas USB/SD atminties laikmenas. Mygtukais SKIP DOWN (12, 39) ir SKIP UP (13, 40) parinkti, kad įrašytų į USB atmintį arba SD kortelę. Patvirtinti pakartotinai spaudžiant mygtuką REC/DEL (8, 33). Po kelių sekundžių prietaisas pradės įrašyti į pasirinktą atminties laikmeną (Jeigu įdėta tik USB atmintis arba tik SD kortelė, pirmą kartą paspaudus mygtuką REC/DEL įrašymas paleidžiamas per kelias sekundes). Įrašymo metu mirga REC ženklas. Įrašymui sustabdyti spausi mygtuką STOP/BAND (11, 38).

DĖMESIO: Įrašymas iš radijo pradėdamas po kelių sekundžių. Įrašant iš radijo gali pasitaikyti trukdžių/ūžesijų.

2. Įrašymas iš vinilo plokštelės – įdėti USB atmintį/SD kortelę į reikiamą lizdą (42 arba 30). Paspausti mygtuką FUNCTION (5, 35) „PHON“ režimui parinkti. Vinilo plokštelę padėti ant disko ir paleisti norimą įrašyti kūrinį – gramofono petį nukelti į reikiamą vietą. Toliau elgtis kaip įrašant iš radijo.
3. Įrašymas iš išorinio prietaiso (AUX režimas) – įdėti USB atmintį/SD kortelę į reikiamą lizdą (42 arba 30). Paspausti mygtuką FUNCTION (5, 35) „AUX“ režimui parinkti. Išorinį prietaisą įjungti į AUX IN lizdą (14) ir išoriniame prietaise parinkti norimą įrašyti kūrinį. Toliau elgtis kaip įrašant iš radijo.

KŪRINIŲ IŠ USB ATMINTIES/SD KORTELĖS ŠALINIMAS

Pavienių kūrinių šalinimas – įdėti USB atmintį/SD kortelę į reikiamą lizdą (42 arba 30). Mygtukais SKIP DOWN (12, 39) ir SKIP UP (13, 40) parinkti norimą pašalinti kūrinį ir pradėti jį groti. Paspausti ir maždaug 3 sekundes palaikyti mygtuką REC/DEL (8, 33).

VALYMAS IR PRIEŽIŪRA

1. Išjungti prietaisą iš tinklo
2. Prietaisą galima valyti tik sausu skudurėliu.
3. Prietaisą laikyti sausoje patalpoje.

DĖMESIO: Valymui nenaudoti vandens – gali pažeisti prietaisą.

TECHNINIAI DUOMENYS

Maitinimo įtampa: 230 V ~50 Hz

RMS išėjimo galia: 2 x 1,5 W



Rūpinantis aplinka. Kartono pakuotes atiduoti į makulatūrą. Polietileno (PE) maišelius mesti į plastikui skirtą konteinerį. Susidėvėjusį prietaisą atiduoti atitinkama atliekų surinkimo vieta, nes prietaisė esančios pavojingos medžiagos gali kelti grėsmę aplinkai. Elektrinį prietaisą atiduoti tokį, kad nebūtų galima jo pakartotinai naudoti ir panaudoti. Jeigu prietaisė yra baterijos, būtina jas išimti ir atskirai atiduoti į atliekų surinkimo vietą. Nemesiti prietaiso į buitinių atliekų konteinerį!

LATVIEŠU

VISPĀRĪGI DROŠĪBAS NOTEIKUMI SVARĪGI DROŠĀS IZMANTOŠANAS NORĀDĪJUMI. LŪDZU, UZMANĪGI IZLASIET UN SAGLABĀJIET

Ja ierīce tiek izmantota komerciāliem nolūkiem, garantijas nosacījumi mainās.

1. Pirms ierīces lietošanas, uzmanīgi izlasīt lietošanas instrukciju un rīkoties saskaņā ar tās norādījumiem. Ražotājs nenes atbildību par bojājumiem, kas radušies ierīces nepareizas vai citādi neatbilstošas lietošanas rezultātā.
2. Ierīce paredzēta lietošanai tikai mājās apstākļos. Neizmantojiet ierīci mērķiem, kas neatbilst instrukcijā norādītajiem.
3. Ierīci pieslēgt tikai 230 V ~ 50 Hz tīkla spriegumam. Ar mērķi palielināt lietošanas drošību, nepieslēgt elektropadeves tīklam vienlaicīgi vairākas elektriskās ierīces.
4. Ievērot īpašu piesardzību ierīces lietošanas laikā, ja tuvumā atrodas mazi bērni. Neļaut bērniem rotaļāties ar ierīci. Neļaut ierīci lietot bērniem vai ar tās lietošanu neiepažīstinātām personām.
5. BRĪDINĀJUMS: Šo ierīci nedrīkst izmantot bērni, kuri nav sasnieguši 8 gadu vecumu, personas ar ierobežotām fiziskām vai garīgām spējām vai personas, kurām nav pieredzes vai zināšanas darbā ar ierīci, ja vien ierīces izmantošana nenotiek atbildīgās personas uzraudzībā vai sekojot atbildīgās personas norādījumiem par drošu aprīkojuma ekspluatāciju, apzinoties draudus saistībā ar ierīces izmantošanu. Bērniem nevajadzētu rotaļāties ar ierīci. Ierīces tīrīšanu un uzglabāšanu nedrīkst veikt bērni, kuri nav sasnieguši vismaz 8 gadu vecumu. Šīs darbības jāveic pieaugušo personu uzraudzībā.

6. Vienmēr atvienojiet strāvas vadu no elektropadeves tīkla pēc ierīces lietošanas beigām, kontaktligzdu pieturot ar roku. NERAUJĒT aiz strāvas vada.
7. Neiegremdējiet strāvas vadu, kontaktdakšu kā arī pašu ierīci ūdenī vai arī jebkāda cita veida šķidrumā. Nepakļaujiet ierīci laika apstākļu iedarbībai (lietus, saule, utml.), kā arī nelietojiet ierīci pārmērīga mitruma apstākļos (vannasistabas, mitri kempinga namiņi).
8. Periodiski pārbaudiet strāvas vada stāvokli. Ja strāvas vads ir bojāts, tas ir jānomaina pret jaunu kvalificētā remontdarbu darbnīcā, lai izvairītos no nevēlamām sekām.
9. Nelietojiet ierīci ar bojātu strāvas vadu, ierīci, kas sabojāta noņemot vai klādu citu apstākļu rezultātā kā arī ierīci, kas nepareizi darbojas. Nemēģiniet labot ierīci pašrocīgi, šāda darbība draud ar strāvas triecienu. Bojātu ierīci nododiet attiecīgajā servisa punktā, lai pārbaudītu vai remontētu ierīci. Visa veida remonta darbus drīkst veikt tikai pilnvarota persona autorizētos servisa centros. Nepareizi remonta darbi var izraisīt nopietnus draudus lietotāja veselībai.
10. Ierīci novietojiet uz vēsas, stabilas, līdzenas virsmas, prom no silstošām virtuves ierīcēm, tādām kā, piemēram: elektriskā plīts, gāzes deglis, utml.
11. Nelietojiet ierīci viegli uzliesmojošu materiālu tuvumā.
12. Strāvas vads nedrīkst nokarāties pāri galda malai vai būt saskarsmē ar karstām virsmām.
13. Neatstājiet ierīci pievienotu elektropadeves tīklam bez uzraudzības.
14. Papildu aizsardzībai, vannas istabas elektrības piegādes ķēdē ieteicams uzstādīt paliekošās strāvas iekārtu (RCD) ar nominālo strāvu, kas nepārsniedz 30 mA. Šajā sakarā, lūdzu, sazinieties ar kvalificētu elektriķi.
15. Nepieļaujiet radio iegremdēšanu ūdenī.
16. Radio drīkst slaucīt tikai ar sausu drāniņu. Neizmantojiet ūdeni un tīrīšanas līdzekļus.
17. Lai nodrošinātu energoefektivitāti, ja 10 minūšu laikā ierīce neregistrē nevienu signālu no gramofona/AUX IN ligzdas, tā automātiski pārslēdzas uz Standby režīmu.
18. Radio jāuzglabā sausā telpā.

IERĪCES APRAKSTS

- | | |
|---|------------------------------------|
| 1. Atskaņotāja apvāks | 23. Atskaņotāja adatas aizsargs |
| 2. LCD displejs | 24. Ligzdā LINE OUT |
| 3. Barošanas diode | 25. FM frekvenču antenas vads |
| 4. Iebūvēta skanda | 26. Elektrības kabelis |
| 5. Taustiņš FUNCTION | 27. Taustiņš STANDBY |
| 6. Taustiņš SLEEP/TIMER | 28. Taustiņš PRESET/ALBUM DN |
| 7. Austiņu ieeja | 29. Taustiņš PRESET/ALBUM UP |
| 8. Taustiņš REC/DEL | 30. SD kartes ligzda |
| 9. Taustiņš MODE/CLOCK | 31. Taustiņš MUTE |
| 10. Taustiņš PLAY/PAUSE/TUNER SCAN | 32. Pārslēgšanas slēdzis AUTO-STOP |
| 11. Taustiņš STOP/BAND | 33. Taustiņš REC/DEL |
| 12. Taustiņš SKIP DOWN | 34. Taustiņš FM ST |
| 13. Taustiņš SKIP UP | 35. Taustiņš FUNCTION |
| 14. Ieeja AUX | 36. Taustiņš MODE/CLOCK |
| 15. Taustiņš ALBUM/PRESET DOWN | 37. Taustiņš PLAY/PAUSE |
| 16. Taustiņš ALBUM/PRESET UP | 38. Taustiņš STOP/BAND |
| 17. ON/OFF izslēgšanas slēdzis / skaļuma regulēšana | 39. Taustiņš SKIP DOWN |
| 18. Plašu 45RPM adapteris | 40. Taustiņš SKIP UP |
| 19. Plašu atskaņotāja svira | 41. Taustiņš VOLUME UP/DOWN |
| 20. Atskaņotāja skaņas nonēmeja blokāde | 42. USB savienojums |
| 21. Rotējošās pamatnes ātruma regulēšana | |
| 22. Atskaņotāja skaņas nonēmejs | |

PULKSTENA IESTĀTĪJUMI

- Pirms pirmās lietošanas izsaiņojiet precīzi noņemiet visus aizsardzības materiālus. Attīniet radio FM frekvenču antenas un strāvas padeves vadu. Neaizsedziet ventilācijas atveres, pārliecinieties, ka ap radio atrodas dažu centimetru atstarpe, kas ir nepieciešama pareizai ventilācijai.
1. Gaidīšanas režīmā nospiediet un turiet nospiešanu taustiņu MODE/CLOCK (9, 36). Displejā (2) sāks mirgot uzraksts "12H/24H". Izmantojot taustiņus SKIP DOWN (12, 39) un SKIP UP (13, 40), izvēlieties 12-stundu vai 24-stundu režīmu un apstipriniet, nospiežot taustiņu MODE/CLOCK (9, 36). Ierīce pārslēgsies uz stundas iestatīšanas režīmu.
 2. Izmantojot taustiņus SKIP DOWN (12, 39) un SKIP UP (13, 40) iestatiet pareizu stundu un apstipriniet, nospiežot taustiņu MODE/CLOCK (9, 36). Ierīce pārslēgsies uz minūšu iestatīšanas režīmu.
 3. Izmantojot taustiņus SKIP DOWN (12, 39) un SKIP UP (13, 40) iestatiet pareizu minūti un apstipriniet, nospiežot taustiņu MODE/CLOCK (9, 36).

TAIMERA FUNKCIJA (AUTOMĀTISKA IZSLĒGŠANĀS)

1. Kad ierīce ir ieslēgta, nospiediet taustiņu SLEEP/TIMER (6) attiecīgi tik daudz reizes, lai izvēlētos laiku, pēc kāda ierīcei ir jāizslēdzas (90, 80, 70...10 minūtes).
2. Uzraksts "SLEEP" displejā informē par to, ka automātiskās izslēgšanās funkcija ir aktivizēta.
3. Pēc iestatīta laika beigām, ierīce izslēgsies un pāries uz gaidīšanas režīmu.

TAUSTIŅŠ FUNCTION (5)

Paredzēts ierīces darba režīma nomaiņīšanai

- PHON (atskaņotāja režīms)
- AUX (ārējās iekārtas darba režīms)
- FM frekvenču radio uztveršanas režīms
- MP3 (atskaņošanas režīms no USB atmiņas/atskaņošanas režīms no SD kartes)

RADIO KLAUSĪŠANĀS

1. Ieslēdziet ierīci ar taustiņiem ON/OFF (17, 27) un iestatiet radio atskaņošanas režīmu ar taustiņu FUNCTION (5).
 2. Izmantojot taustiņu BAND (11) izvēlieties AM vai FM frekvences.
 3. Izmantojot taustiņus SKIP DOWN (12, 39) un SKIP UP (13, 40) noregulējiet radio atskaņošanas frekvenci. Nospiežot un apturēti 1-2 sekundes turot nospiežot šos taustiņus, automātiski tiks sameklētas tuvākās radio frekvences. Pēc frekvences atrašanās, meklēšana tiks apturēta.
 4. Kad radio frekvence tiks atrasta, nospiediet taustiņu MODE/CLOCK (9, 36), lai frekvence tiktu saglabāta.
 5. Atkārtējiet 3-4 darbību, lai ieprogramētu izvēlētas stacijas (maks. 30 programmas - FM, maks. 20 programmas - AM).
 6. Izmantojot taustiņus PRESET DOWN (15) un PRESET UP (16) variet izvēlēties starp iestatītajām programmām.
 7. Griežot skaļuma regulēšanas slēdzi (17) vai arī izmantojot taustiņus (40) uz pults, jūs variet noregulēt skaņas intensitāti.
 8. Radio FM antena (24) ir novietota uz aizmugurējā paneļa. Ja signāla uztveršana ir pārāk vāja, mēģiniet pārvietot antenu un atrast vietu ar visspēcīgāko signālu.
- Radio AM antena ir novietota radio uztvērēja vidū. Ja signāla uztveršana ir pārāk vāja, mēģiniet pārvietot uztvērēju uz citu vietu, apgriezti pretējā virzienā, lai uztvertu spēcīgāko signālu.

9. Taustiņš TUNER SCAN (10) paredzēts automātiskai pieejamo radio staciju meklēšanai un saglabāšanai.

MP3 FAILU ATSKAŅOŠANA NO USB/SD ATMIŅAS

UZMANĪBU: Ierīce var būt nesaderīga ar visiem failiem, ņemot vērā atšķirības kodējumā. Ierīce var neatbalstīt dažas no USB/SD atmiņām. Ierīce atbalsta USB atmiņu un SD kartes, kuru lielumš ir līdz 8 GB.

1. Ieslēdziet atskaņotāju ar ON/OFF (17, 27) slēdzi. Ievietojiet USB atmiņu vai SD karti ligzdā (USB ligzda - 42, SD ligzda - 30).
2. Izvēlieties atskaņošanas režīmu ar taustiņu FUNCTION (5, 35).
3. Ierīce nolasīs atmiņu un displeja parādīsies ierakstīto skaņdarbu daudzums. Tālāk ierīce sāks pirmā skaņdarba atskaņošanu.
4. Izmantojot taustiņu PLAY/PAUSE (10, 37) izvēlētē skaņdarbu var apturēt un atkārtoti atskaņot.
5. Izmantojot taustiņus SKIP DOWN (12, 39) un SKIP UP (13, 40) var izvēlēties iepriekšējo vai nākamo skaņdarbu atskaņošanu. Nospiežot šos taustiņus un turot nospiežot skaņdarba atskaņošanas laikā, ir iespējams tos pāriet uz priekšu un atpakaļ.
6. Izmantojot taustiņus ALBUM DOWN (15, 28) un ALBUM UP (16, 29) var pāriet uz iepriekšējā vai nākamo skaņdarbu kataloga atskaņošanu.
7. Skaņdarba atskaņošanas brīdī nospiediet taustiņu MODE/CLOCK (9, 36), lai izslēgtu viena skaņdarba atkārtosanos. Vēlreiz nospiežot taustiņu MODE/CLOCK (9, 36), tiks atkārtota visa USB atmiņa / SD karte.
8. USB atmiņas / SD kartes izņemšanu no ligzdas jāveic pēc iepriekšējās radio izslēgšanas vai pārslēgšanas uz radio uztveršanu, plašu atskaņošanu ("PHON") vai papildus ieeju ("AUX").

Jūs varat atskaņot mūzikas failus, kas saglabāti mobilajā telefonā, kas aprīkots ar Bluetooth, lai atskaņotu barošanas ligzdas radio.

1. Ieslēdziet ierīci, nospiežot pogu „FUNCTION”, lai izvēlētos Bluetooth režīmu.
2. Aktivizējiet multivides atskaņošanas ierīces Bluetooth savienojumu. Multivides atskaņošanas ierīce tagad meklēs ierīces, kurām tā var būt savienot.
3. Mediju atskaņošanas ierīci tagad jāsaņem ierīces kods CR 1168
4. Izmantojiet multivides atskaņošanas ierīci, lai izveidotu savienojumu ar radio. Lai to izdarītu, multivides atskaņošanas ierīcē izvēlieties CR 1168.

IERĪCES IZMANTOŠANA AR UNIVERSĀLO PAPILDUS IEEJU AUX IN:

1. Pieslēdziet papildus ierīci, izmantojot ieeju AUX IN (14).
2. Pārslēdziet atskaņotāju uz režīmu AUX IN, nospiežot taustiņu FUNCTION (5).

VINILA PLAŠU ATSKANOŠANA

Pirms pirmās atskaņotāja izmantošanas, noņemiet atskaņotāja adatas aizsegu (23) un atļiniet skaņas noņēmēja stiprinājumu, kas atrodas pie skaņas noņēmēja blokādes (20).

1. Atbrīvojiet skaņas noņēmēja blokādi (20) un iestatiet ierīci režīmā PHON, izmantojot taustiņu FUNCTION (5, 35).
2. Novietojiet plati uz plātes pamatnes. Ja nepieciešams, izmantojiet adapteri (18).
3. Izvēlieties griešanās ātrumu (griešanās ātrums ir atkarīgs no plātes veida) ar griešanās ātruma pārslēgu (21).
4. Ar sviras palīdzību (19), paceliet atskaņotāja skaņas noņēmēju. Tas iedarbinās pamatnes un vinila plātes griešanas. Uzmaniģi pārvietojiet skaņas noņēmēju virs skaņdarba, kuru vēlaties atskaņot. Nolaidiet adatu ar skaņas noņēmēja pacelšanas sviru (19).
5. Pagrieziet skaļuma regulēšanas slēdzi (17) vai izmantojot taustiņus (40) uz pults, noregulējiet skaņas intensitāti.
6. Lai apturētu plātes atskaņošanu, paceliet skaņas noņēmēju, izmantojot pacelšanas sviru (19).
7. Pēc plātes atskaņošanas beigām, paceliet skaņas noņēmēju, izmantojot pacelšanas sviru (19). Pārvietojiet skaņas noņēmēju uz skaņas noņēmēja blokādi (20) un nolaidiet ar sviras palīdzību (19).
8. Lai izslēgtu vai ieslēgtu funkciju AUTO-STOP, izmantojiet slēdzi AUTO-STOP (32).

IERAKSTĪŠANA USB DISKĀ / SD KARTĒ

1. Ierakstīšana no radio - ievietojiet USB disku / SD karti attiecīgā ligzdā (42 vai 30). Ieslēdziet taustiņu FUNCTION (5, 35), lai izvēlētos radio uztveršanas režīmu. Izmantojot taustiņu BAND (11) izvēlieties AM vai FM frekvences. Izmantojot taustiņus SKIP DOWN (12, 39) un SKIP UP (13, 40) noregulējiet radio atskaņošanas frekvenci. Nospiediet taustiņu REC/DEL (8, 33). Pāris sekunžu laikā ierīce nolasīs pieejamo USB / SD atmiņu. Izmantojot taustiņus SKIP DOWN (12, 39) un SKIP UP (13, 40) izvēlieties, vai ierakstīt USB atmiņā vai SD kartē. Apstipriniet, atkārtoti nospiežot REC/DEL (8, 33). Pēc dažām sekundēm ierīce sāks ierakstīšanu izvēlētajā pāmēsājamā atmiņā (Ja pieslēgta ir tikai USB atmiņa vai tikai SD karte, pirmā taustiņa REC/DEL nospiešana pēc dažām sekundēm sāks ierakstīšanas funkciju). Ierakstīšanas laikā mirgošs simbols REC. Lai apturētu ierakstīšanu, nospiediet taustiņu STOP/BAND (11, 38).
2. Ierakstīšana no vinila plātes - ievietojiet USB disku / SD karti attiecīgā ligzdā (42 vai 30). Nospiediet taustiņu FUNCTION (5, 35), lai izvēlētos režīmu "PHON". Novietojiet vinila plāti uz rotējošās pamatnes un sāciet skaņdarba atskaņošanu, novietojot skaņas noņēmēju attiecīgā vietā uz plātes. Tālākās darbības ir tādas pašas kā ierakstot no radio.
3. Ierakstīšana no papildus ieejas (AUX režīms) - ievietojiet USB disku / SD karti attiecīgā ligzdā (42 vai 30). Nospiediet taustiņu FUNCTION (5, 35), lai izvēlētos režīmu "AUX". Pieslēdziet papildus ieeju ligzdai AUX IN (14) un izvēlieties skaņdarbu, kuru vēlaties ierakstīt. Tālākās darbības ir tādas pašas kā ierakstot no radio.

SKANDARBA DZĒŠANA NO USB DISKA / SD KARTES

Vienā skaņdarba dzēšana - ievietojiet USB disku / SD karti attiecīgā ligzdā (42 vai 30). Izvēlieties skaņdarbu, kuru vēlaties dzēst, izmantojot taustiņus SKIP DOWN (12, 39) un SKIP UP (13, 40) un sāciet tā atskaņošanu. Piespiediet un apmēram 3 sekundes turiet nospiegtu taustiņu REC/DEL (8, 33).

TĪRĪŠANA UN UZGLABĀŠANA

1. Atvienojiet ierīci no elektrības padeves tīkla.
2. Ierīci drīkst slaucīt vienīgi ar sausu drāniņu.
3. Ierīci jāuzglabā sausās telpās.

UZMANĪBU: Ierīces tīrīšanai neizmantojiet ūdeni, jo tas var sabojāt ierīci.

TEHNISKIE PARAMETRI

Strāvas spriegums: 230V ~50Hz

RMS izejas jauda: 2 x 1,5W



Apkārtējās vides aizsardzība. Kartona iepakojumu, lūdzu, nododiet atseļējai pārstrādei. Polietilēna maisījumus (PE) izmest plastmasas izstrādājumiem paredzētajos konteineros. Lietotās elektropreces nododiet attiecīgajos pieņemšanas punktos. Ierīcē satur bīstamas sastāvdaļas, kas var izraisīt draudus apkārtējai videi. Elektroierīce jānodod tā, lai ierobežotu tās atkārtotu izmantošanu. Ja ierīcē atrodas baterijas, izņemiet tās un nododiet pieņemšanas punktā atsevišķi. Produktu neizmest sadzīves atkritumu konteinerā!

EESTI

ÜLDISED OHUTUSJUHISED. LUGEGE SEADME KASUTUSOHUTUST PUUDUTAVAD JUHISED TÄHELEPANELIKULT LÄBI JA HOIDKE ALLES

Kui seadet kasutatakse äärmisel eesmärgil, muutuvad garantiitingimused.

1. Enne seadme kasutamist loe kasutusjuhend hoolikalt läbi ja järgi kõiki seal leiduvaid juhiseid. Tootja ei vastuta nende kahjustuste eest, mis tekivad seadme mitteotstarbekohase kasutamise ja ebaõige käsitsemise tagajärjel.

2. Seade on ettenähtud ainult koduseks kasutamiseks. Ära kasuta seadet mitteotstarbekohastel eesmärkidel.

3. Seade tuleb lülitada ainult 230V ~50Hz toitepessa. Selleks, et seadme kasutusohutus oleks suurem, ära lülita üheaegselt ühte vooluringi mitut elektriseadet.

4. Seadme kasutamise ajal ole eriti ettevaatlik ja tähelepanelik siis, kui läheduses viibivad lapsed. Ära luba lastel mängida seadmega, samuti ära luba lastel ega isikutel, kes ei tunne seda seadet, et nad kasutaksid seda.

5. ETTEVAATUST: 8-aastased ja vanemad lapsed, füüsilise-, sensoorse- või vaimse puudega inimesed, samuti inimesed, kelle pole piisavalt koemusi ega teadmisi seadme kasutamiseks, võivad seadet kasutada vaid nende ohutuse eest vastutava isiku järelevalve all või juhul, kui neile on antud piisavad juhtnöörid seadme ohutuks kasutamiseks ja nad on teadlikud ohtudest, mis võivad seadme kasutamise kaasneda. Ärge lubage lastel seadmega mängida. Ärge lubage lastel seadet puhastada ega hooldada, välja arvatud juhul, kui laps on 8-aastane või vanem ja tegutseb järelevalve all.

6. Pärast seadme kasutamist võta alati pistik pistikupesast välja, hoides sealjuures pistikupesast kinni. ÄRA tõmba kunagi toitejuhtmist.

7. Ära pane kaablit, pistikut ega seadet vette või mingisse muuse vedelikku. Kaitse seadet ilmastikutingimuste (vihm, päike, jne) eest ning ära kasuta kõrgendatud niiskuse tingimustes (vannitoad, niisked kämpingumajad).

8. Kontrolli aeg-ajalt toitejuhtme seisundit. Juhul kui toitejuhe on vigastatud, siis peab ta väljavahetama selleks volitatud remonditöökojas, et vältida hädaohtlikku olukorda.

9. Ära kasuta vigastatud toitejuhtmega seadet, või kui seade kukkus maha või on mingil muul viisil vigastatud või töötab ebaõigest. Ära paranda seadet ise, sest sa võid saada elektrilöögi. Vigastatud seade anna selleks volitatud remonditöökotta, et ta seal ära parandataks. Kõiki parandustöid võivad teostada ainult selleks volitatud remonditöökojad. Valesti teostatud seadme parandus võib tekitada tõsise oholukorra seadme kasutajale.

10. Pärast kasutamist aseta seade jahedale, kindlale ja siledale pinnale ja vaata, et lähedal poleks soojusallikaid nagu: elektripliit, gaasipliit, jms.

11. Ära kasuta seadet kergestiühtivate materjalide läheduses.

12. Toitejuhe ei või rippuda üle laua ääre või puutuda vastu kuuma pealispinda.

13. Ärge jätke sisselülitatud seadet ega laadijat pistikupesasse järelvalveta.

14. Ohutuse tagamiseks on lisameetmena soovitatav paigaldada elektrijuhtmistekule, kust vannituba toite saab, vahelduvvoolukaitse (RDC), mille nominaalne voolutugevus ei ületa 30 mA. Selles küsimuses pöörduge kvalifitseeritud elektriku poole.

15. Vältige raadio märjakssaamist.

16. Seadet võib puhastada vaid kuiva lapiga. Ärge kasutage vett ega puhastusvedelikke.

17. Seadme energiatõhususe tagamiseks läheb seade automaatselt üle režiimile Standby, kui ta ei registreeri signaali grammofonist/AUX IN sisendpordist 10 minuti jooksul.

18. Hoidke raadiot kuivas ruumis.

SEADME KIRJELDUS

- | | |
|---|--------------------------|
| 1. Grammfoni kaas | 23. Grammfoni nõela kate |
| 2. LCD-ekraan | 24. Pesa LINE OUT |
| 3. Toitediod | 25. FM-antenni nupp |
| 4. Sisseehitatud kõlar | 26. Toitejuhe |
| 5. FUNCTION-nupp | 27. Nupp STANDBY |
| 6. Nupp SLEEP/TIMER | 28. Nupp PRESET/ALBUM DN |
| 7. Kõrvaklappide sisend | 29. Nupp PRESET/ALBUM UP |
| 8. Nupp REC/DEL | 30. SD-kaardi pesa |
| 9. Nupp MODE/CLOCK | 31. Nupp MUTE |
| 10. Nupp PLAY/PAUSE/TUNER SCAN | 32. Lüliti AUTO-STOP |
| 11. Nupp STOP/BAND | 33. Nupp REC/DEL |
| 12. Nupp SKIP DOWN | 34. Nupp FM ST. |
| 13. Nupp SKIP UP | 35. FUNCTION-nupp |
| 14. AUX-sisend | 36. Nupp MODE/CLOCK |
| 15. Nupp ALBUM/PRESET DOWN | 37. PLAY/PAUSE-nupp |
| 16. Nupp ALBUM/PRESET UP | 38. Nupp STOP/BAND |
| 17. Töölüliti ON/OFF / helitugevuse reguleerimine | 39. Nupp SKIP DOWN |
| 18. 45RPM-plaatide adapter | 40. Nupp SKIP UP |
| 19. Grammfoni kang | 41. Nupud VOLUME UP/DOWN |
| 20. Helipea hoidiku fiksaator | 42. USB-pesa |
| 21. Pöörlemiskiiruse reguleerimine | |
| 22. Helipea hoidik | |

KELLA SEADISTAMINE

Enne esimest kasutamist pakkige seade lahti ja eemaldage kõik pakendiosad. Kerige lahti FM-kaabel ja toitekaabel. Ärge katke ventilatsiooniväsi, veendu, et ümber raadio jääks igast küljest paar sentimeetrit vaba ruumi, et tagada õhu liikumine.

1. Vajutage ooterežiimi nuppu MODE/CLOCK (9, 36) ja hoidke seda all. Ekraanil (2) hakkab vilkuma kirje 12H/24H. Valige nuppude SKIP DOWN (12, 39) ja SKIP UP (13, 40) abil 12-tunnine või 24-tunnine režiim ja kinnitage valik nupuga MODE/CLOCK (9, 36). Seade läheb nüüd üle tunninäidu reguleerimise režiimile.
2. Valige nuppude SKIP DOWN (12, 39) ja SKIP UP (13, 40) abil tund ja kinnitage valik nupuga MODE/CLOCK (9, 36). Seade läheb nüüd üle minütinäidu reguleerimise režiimile.
3. Valige nuppude SKIP DOWN (12, 39) ja SKIP UP (13, 40) abil minut ja kinnitage valik nupuga MODE/CLOCK (9, 36).

TAIMERI FUNKTSIOON (AUTOMAATNE VÄLJALÜLITUMINE)

1. Vajutage sisselülitatud seadmel nuppu SLEEP/TIMER (6) vastav arv kordi, et valida aeg, millal seade välja lülitub (90, 80, 70..10 minutit).
2. Kirje SLEEP ekraanil annab märku, et automaatse väljalülitumise funktsioon on aktiivne.
3. Valitud aja möödudes lülitub seade välja ja jääb ooterežiimile.

NUPP FUNCTION (5)

Seadme töörežiimi vahetamiseks

- PHON (grammfoni töörežiim)
- AUX (väliseadme kasutamise režiim)
- FM-raadio režiim
- MP3 (USB-mälust lugemise funktsioon/SD-kaardilt lugemise funktsioon)

RAADIO KUULAMINE

1. Lülitage seade nupust ON/OFF (17, 27) sisse ja valige nupu FUNCTION (5) abil raadio režiim.
2. Valige nupu BAND (11) abil laine pikkus AM või FM.
3. Valige nuppude SKIP DOWN (12, 39) ja SKIP UP (13, 40) abil soovitud sagedus. Kui vajutate nupud alla ja hoiate 1-2 sekundit, otsi raadio automaatselt üles lähima raadiojaama. Kui lähim sagedus on leitud, otsing peatub.
4. Kui valitud raadiojaama sagedus on leitud, vajutage jaama salvestamiseks nuppu MODE/CLOCK (9, 36).
5. Valitud raadiojaamade (kõige rohkem 30 – FM, kõige rohkem 20 – AM) programmeerimiseks korrake samme 3 kuni 4.
6. Seadistatud programmide vahel saate valida nuppude PRESET DOWN (15) ja PRESET UP (16) abil.
7. Helitugevust saate reguleerida helitugevuse reguleerimise nupu (17) või puldi klahvide (40) abil.
8. FM-antenn (24) paikneb tagamisel paneelil. Kui signaal on liiga nõrk, liigutage antenni ja püüdke leida koht, kus signaal on tugevam. AM-antenn paikneb raadiovastuvõtja sees. Kui signaal on liiga nõrk, proovige tugevama signaali tabamiseks tõsta raadiovastuvõtja teise kohta või keerata teises suunas.
9. Nupu TUNER SCAN (10) abil saate üles otsida ja salvestada olemasolevad raadiojaamad.

MP3-FAILIDE KUULAMINE USB/SD-MÄLUST

TAHELEPANU: Erinevate kodeerimisviiside tõttu ei pruugi seade ühilduda kõigi failidega. Seade ei pruugi töötada mõnede USB/SD-mäludega. Seadmes saab kasutada USB-mälu ja SD-kaarte võimsusega kuni 8GB.

1. Lülitage seade lülitist ON/OFF (17, 27) sisse. Asetage USB-mälu või SD-kaart vastavasse pesasse (USB-pesa - 42, SD-pesa - 30).
2. Valige nupu FUNCTION (5, 35) abil töörežiim.
3. Seade loe mälu ja kuvab ekraanile salvestatud lugude arvu. Seejärel hakkab seade mängima esimest lugu.
4. Nuppu PLAY/PAUSE (10, 37) abil saate loo mängimise peatada ja taastada.
5. Järgmisele või eelmisele loole saate liikuda nuppude SKIP DOWN (12, 39) ja SKIP UP (13, 40) abil. Kui vajutate neid nuppe mingi loo

mängimise ajal, liigute kas selle sama loo algusesse või lõppu.

6. Nuppude ALBUM DOWN (15, 28) ja ALBUM UP (16, 29) abil saate liikuda eelmise või järgmise kataloogi juurde.

7. Mingi loo kordamiseks vajutage selle loo mängimise ajal üks kord nupule MODE/CLOCK (9, 36). Kui vajutate nupule MODE/CLOCK (9, 36) veel korra, korratakse kogu USB-mälu /SD-kaardi sisu.

8. Enne USB-mälu /SD-kaardi eemaldamist pesast lülitage raadio välja, või lülitage raadio, grammofoni (PHON) või väliseadme (AUX) režiimile.

Bluetooth-seadmega varustatud mobiiltelefoni salvestatud muusikafailide saab taasesituseks pistikupesa raadios.

1. Lülitage seade sisse, vajutage „FUNCTION” nuppu, et valida Bluetoothi režiim.

2. Aktiveerige andmekandja taasesituse seadme Bluetooth-ühendus. Meedia taasesitusseade otsib nüüd seadmeid, millele see on võimalik ühenda.

3. Meedia taasesitusseade peaks nüüd vastu võtma seadme koodi CR 1168

4. Raadiouhendamiseks kasutage meediumimängija seadet. Selleks valige meediumide taasesitusseadmes CR 1168.

UNIVERSAALSE SISENDIPESA AUX IN KAUDU ÜHENDATUD SEADME KASUTAMINE:

1. Ühendage väliseade raadioga AUX IN pesa (14) abil.

2. Lülitage plaadimängija FUNCTION-nupu (5) abil AUX IN-töörežiimile.

VINÜÜLPLAATIDE KUULAMINE

Enne grammofoni esimest kasutamist eemaldage grammofoni neliolalt (23) kate ja siduge lahti helipea hoidikut fikseeriv sõlm (20).

1. Vabastage helipea hoidiku (20) lukk ja valige nupu FUNCTION (5, 35) abil režiim PHON.

2. Asetage plaat plaadialusele. Vajadusel kasutage adapterit (18).

3. Valige ümberlülit (21) abil plaadialuse pöörimise kiirus (kiirus sõltub paadi tüübist).

4. Tõstke helipea hoidik kangi (19) abil üles, see käivitab plaadialuse pöörimise. Nihutage helipea hoidik ettevaatlikult selle loo kohale, mida soovite kuulata. Laske helipea hoidik kangi (19) abil ettevaatlikult alla.

5. Helitugevust saate valida helitugevuse reguleerimise nupu (17) või puldi klahvide (40) abil.

6. Kui soovite plaadi kuulamise katkestada, tõstke helipea hoidik kangi (19) abil üles.

7. Kui plaat on mängimise lõpetanud, tõstke helipea hoidik kangi (19) abil üles. Nihutage helipea hoidik lukule (20) ja laske kangi (19) abil alla.

8. Funktsiooni AUTO-STOP sisse- või väljalülitamiseks kasutage lülitit AUTO-STOP (32).

SALVESTAMINE USB-SEADMELE / SD-KAARDILE

1. Salvestamine raadiost - paigutage USB-seade / SD-kaart vastavasse pesasse (42 või 30). Raadiovastuvõtja režiimi valimiseks vajutage nuppu FUNCTION (5, 35). Valige nupu BÄND (11) abil lainepikkus AM või FM. Valige nuppude SKIP DOWN (12, 39) ja SKIP UP (13, 40) abil soovitud sagedus. Vajutage nuppu REC/DEL (8, 33). Mõne sekundi jooksul hakkab seade lugema ühendatud USB/SD-kaardilt. Valige nuppude SKIP DOWN (12, 39) ja SKIP UP (13, 40) abil, kas soovite salvestada USB-mälusse või SD-kaardile. Valiku kinnitamiseks vajutage uuesti nuppu REC/DEL (8, 33). Paari sekundi möödudes hakkab seade salvestama valitud välismälule. (Kui seadmesse on ühendatud ainult USB-mälu või ainult SD-kaart, käivitab esimene vajutus nupule REC/DEL mõne sekundi jooksul salvestamise). Salvestamise ajal vilgub ikoon REC. Salvestamise peatamiseks vajutage nuppu STOP/BAND (11, 38). TAHELEPANU: Raadiost salvestamise protsess käivitub paarisekundise hilinemisega. Raadiost salvestamise ajal võib esineda häireid/müra.

2. Salvestamine vinüüplaadilt - asetage USB-seade / SD-kaart vastavasse pesasse (42 või 30). Valige nupu FUNCTION (5, 35) abil režiim PHON. Asetage vinüülplaat alusele, asetage helipea hoidik selle teose kohale, mida soovite salvestada ja käivitage grammofon. Järgmised sammud on samad kui raadiost salvestamisel.

3. Salvestamine väliseadmelt (režiim AUX) - asetage USB-seade / SD-kaart vastavasse pesasse (42 või 30). Valige nupu FUNCTION (5, 35) abil režiim AUX. Ühendage väliseade AUX IN pesasse (14) ning valige väliseadmel lugu, mida soovite salvestada. Järgmised sammud on samad kui raadiost salvestamisel.

SALVESTISTE KUSTUTAMINE USB-SEADMELT / SD-KAARDILT

Üksiku salvestise kustutamise - asetage USB-seade / SD-kaart vastavasse pesasse (42 või 30). Valige nuppude SKIP DOWN (12, 39) ja SKIP UP (13, 40) abil teos mille soovite kustutada ja käivitage see. Vajutage all nuppu REC/DEL (8, 33) ja hoidke seda umbes 3 sekundit all.

PUHASTAMINE JA HOOLDAMINE

1. Eemaldage seade vooluvõrgust.

2. Seadet tohib pühkida vaid kuiva lapiga.

3. Hoidke seadet kuivad kohas.

TAHELEPANU: Arge kasutage puhastamiseks vett, sest see võib seadet kahjustada.

TEHNILISED ANDMED

Toitepinge: 230 V ~ 50 Hz

RMS-sisendivõimsus: 2 x 1,5 W



Hoolitse keskkonnakaitse eest. Kartongist pakendid vii makulatuuri. Kilekotid (PE) viska kasutatud plastiku jaoks ettenähtud mahutitesse. Kasutatud seadmed vii selleks ettenähtud kogumispunktidesse, sest seadmes leiduvad ohtlikud elemendid võivad olla kahjulikud keskkonnale. Elektriseadmed tuleb anda nii ära, et seadet ei saaks enam uuesti kasutada. Kui seadmes on patareid, tuleb need välja võtta ja anda eraldi kogumispunkti. Seadet ei tohi visata olmejäätmete konteineritesse!!

ROMÂNĂ

INSTRUCȚIUNI IMPORTANTE CU PRIVIRE LA SIGURANȚA DE UTILIZARE CITIȚI CU ATENȚIE ȘI PĂSTRAȚI PENTRU VIITOR

1. Înainte de a începe utilizarea dispozitivului citiți manualul de instrucțiuni și urmați instrucțiunile conținute de acesta. Producătorul nu este responsabil pentru daunele cauzate de utilizarea dispozitivului care nu este în conformitate cu destinația sau deservirea incorectă a acestuia.

2. Dispozitivul este destinat numai pentru uz casnic. Nu folosiți acest dispozitiv în alte scopuri decât cele pentru care este destinat. Dispozitivul este destinat numai pentru uz casnic. Nu

- folosiți acest dispozitiv în alte scopuri decât cele pentru care este destinat.
3. "Dispozitivul trebuie conectat numai la o priză cu legătură la pământ 230 V ~ 50 Hz. În vederea mării siguranței beneficiarului la un singur circuit, nu trebui conectate în același timp mai multe aparate electrice."
4. Trebuie să fiți foarte precauți în cazul folosirii dispozitivului în cazul în care în apropierea acestuia se află copii. Nu permiteți copiilor să se joace cu dispozitivul și nu permiteți folosirea acestuia de către copii și persoanele care nu cunosc dispozitivul.
5. AVERTIZARE: Acest dispozitiv poate fi utilizat de copii care au vârsta de peste 8 ani și mai mari, de către persoane cu capacități fizice, senzoriale și mentale limitate și de către persoane fără experiență și care nu cunosc dispozitivul, atunci când acestea sunt supravegheate sau au fost instruite cu privire la utilizarea dispozitivului în siguranță și cunosc pericolele care reies din utilizarea acestui dispozitiv. Copii nu ar trebui să se joace cu echipamentul. Curățarea și conservarea dispozitivului nu trebuie realizată de copii, în afara cazului în care aceștia au depășit vârsta de 8 ani și aceste activități sunt realizate sub supravegherea unei persoane adulte.
6. Întotdeauna după ce dispozitivul nu mai este folosit scoateți ștecherul din priza de alimentare cu curent electric și țineți priza cu mâna. NU trageți de cablul de alimentare.
7. Nu scufundați cablul, ștecherul și nici întregul dispozitiv în apă sau alt lichid. Nu expuneți echipamentul la acțiunile condițiilor atmosferice (ploaie, raze solare, etc.) și nici nu îl folosiți în condiții de umiditate ridicată (baie, bungalouri cu umezeală).
8. Periodic trebuie să verificați starea cablului de alimentare. În cazul în care cablul de alimentare este deteriorat, acesta trebuie înlocuit cu unul nou de către un atelier de specialitate în scopul de a evita orice pericol.
9. Nu folosiți dispozitivul care are defect cablul de alimentare sau în cazul în care acesta a fost scăpat din mână sau este defect în orice alt mod sau în cazul în care nu funcționează corect. Nu reparați singuri dispozitivul deoarece acest lucru poate conduce la electrocutare. Dispozitivul defect trebuie să îl transmiteți către un service pentru ca acesta să fie verificat și în caz de nevoie reparat. Toate reparațiile pot fi efectuate numai de către punctele de service care posedă autorizație. Reparația care nu este realizată încorect poate cauza pericol grav pentru beneficiar.
10. Dispozitivul trebuie amplasat pe o suprafață stabilă, netedă, departe de dispozitivele de bucătărie care redau căldură, așa cum ar fi: aragazul electric și cel pe gaz etc.
11. Nu folosiți dispozitivul în apropierea materialelor combustibile.
12. Cablul de alimentare nu poate să atârne peste marginea mesei sau să atingă suprafețele fierbinți.
13. Nu se permite lăsarea dispozitivului pornit și nici a alimentatorului în priză fără supraveghere.
14. Pentru a asigura o protecție suplimentară, se recomandă instalarea pe circuitul electric a unui dispozitiv cu curent diferențial (RCD) cu curent alternativ diferențial care nu va depăși 30 mA. În acest sens trebuie să vă adresați unui electrician specialist.
15. Nu lăsați radioul să fie ud.
16. Radioul poate fi șters numai cu o cârpă uscată. Nu folosiți apă și nici alte lichide pentru curățare.
17. Pentru a asigura economisirea de energie, aparatul, dacă nu înregistrează nici un semnal de la gramofon/intrarea AUX IN timp de 10 minute, trece automat în modul Standby.
18. Radioul trebuie păstrat în încăperi uscate.

DESCRIEREA DISPOZITIVULUI

1.	Capac gramofon	23.	Protecție ac gramofon
2.	Display LCD	24.	Priză LINE OUT
3.	Dioda de alimentare	25.	Cablul antenă FM
4.	Boxă incorporată	26.	Cablul de alimentare cu curent electric
5.	Tasta FUNCTION	27.	Tasta STANDBY
6.	Tasta SLEEP/TIMER	28.	Tasta PRESET/ALBUM DN
7.	Intrare căști	29.	Tasta PRESET/ALBUM UP
8.	Tasta REC/DEL	30.	Priză card SD

9.	Tasta MODE/CLOCK	31.	Tasta MUTE
10.	Tasta PLAY/PAUSE/TUNER SCAN	32.	Comutator AUTO-STOP
11.	Tasta STOP/BAND	33.	Tasta REC/DEL
12.	Tasta SKIP DOWN	34.	Tasta FM ST.
13.	Tasta SKIP UP	35.	Tastă FUNCTION
14.	leşire AUX	36.	Tasta MODE/CLOCK
15.	Tasta ALBUM/PRESET DOWN	37.	TastaPLAY/PAUSE
16.	Tasta ALBUM/PRESET UP	38.	TastaSTOP/BAND
17.	Înterupător ON/OFF/reglare volum	39.	Tasta SKIP DOWN
18.	Adaptor plăci 45RPM	40.	Tasta SKIP UP
19.	Pârghie gramofon	41.	Taste VOLUME UP/DOWN
20.	Blocadă braț gramofon	42.	Priză USB
21.	Reglarea vitezei de rotație a discului		
22.	Braț gramofon		

SETAREA TIMER-ULUI (CEASULUI)

Înainte de prima utilizare, despachetați totul și îndepărtați toate materialele de protecție. Întindeți cablul antenei FM și cablul de alimentare. Nu acoperiți oficiile de ventilație, asigurați-vă că de jur împrejurul radioului există câțiva centimetri distanță de care este nevoie pentru o aerisire corectă.

1. În modul de veghere țineți apăsată tasta MODE/CLOCK (9, 36). Pe displayul (2) va începe să licărească mesajul "12H/24H". Cu ajutorul tastelor SKIP DOWN (12, 39) și SKIP UP (13, 40) selectați modul de 12 ore sau de 24 de ore și confirmați prin apăsarea din nou a tastei MODE/CLOCK (9, 36). Aparatul va trece în modul de editare a orei.
2. Cu ajutorul tastelor SKIP DOWN (12, 39) și SKIP UP (13, 40) setați ora actuală și confirmați prin apăsarea tastei MODE/CLOCK (9, 36). Aparatul va trece în modul de editare a minutelor.
3. Cu ajutorul tastelor SKIP DOWN (12, 39) și SKIP UP (13, 40) setați minutele actuale și confirmați prin apăsarea tastei MODE/CLOCK (9, 36).

FUNCȚIA TIMER - ULUI (OPRIRE AUTOMATĂ)

1. Atunci când aparatul este activat apăsați tasta SLEEP/TIMER (6) de atâtea ori câte este nevoie pentru a alege timpul după scurgerea căruia dispozitivul va fi dezactivat (90, 80, 70...10 minute).
2. Mesajul "SLEEP" de pe display informează că funcția de oprire automată este activă.
3. După scurgerea timpului setat aparatul va fi dezactivat și va trece în modul de veghere.

TASTA FUNCTION (5)

Este destinată pentru schimbarea modului de funcționare a aparatului

- PHON (modul play a gramofonului)
- AUX (modul de deservire a dispozitivului extern)
- modul de recepționare a radioului FM
- MP3 (modul de citire a memoriei USB sau modul de citire a cardului SD)

ASCULTARE RADIO

1. Activați aparatul cu ajutorul tastei ON/OFF (17, 27) și setați modul de recepționare a radioului cu ajutorul tastei FUNCTION (5).
2. Cu ajutorul tastei BAND (11) alegeți lungimea undelor AM sau FM.
3. Cu ajutorul tastelor SKIP DOWN (12, 39) și SKIP UP (13, 40) alegeți frecvența radio dorită. Apăsarea pentru o perioadă de 1 - 2 secunde a acestor taste conduce la căutarea automată a celei mai apropiate frecvențe. Odată ce este a fost găsită, căutarea va lua sfârșit.
4. În cazul în care frecvența postului selectat este găsită, apăsați tasta MODE / CLOCK (9, 36), pentru a salva postul.
5. Repetați pașii 3-4 pentru a programa stațiile alese (max 30 de programe - FM, max 20 de programe - AM).
6. Folosind tastele PRESET DOWN (15) și PRESET UP (16) puteți alege între programele setate.
7. Prin rotirea butonului de reglare a intensității sunetului (17) sau folosind butoanele (40) de pe telecomandă, puteți seta intensitatea sunetului.
7. Antena FM (24) este amplasată pe panoul din spate. Dacă recepția semnalului este prea slabă, încercați să mutați antena și să găsiți un loc unde semnalul este mai puternic.
- Antena AM este amplasată în mijlocul receptorului radio. Dacă recepția semnalului este prea slabă, încercați să mutați receptorul într-un alt loc, rotiți-l în direcția opusă pentru a prinde cel mai puternic semnal.
8. Butonul TUNER SCAN (10) este destinat pentru căutarea automată și pentru salvarea posturilor de radio disponibile.

REDAREA FIȘIERELOR MP3 DE PE MEMORIA USB/SD

ATANTIE: Aparatul poate să nu fie compatibil cu toate fișierele datorită diferențelor de codificare. Aparatul poate să nu concluzeze cu unele tipuri de memorii USB/SD. Aparatul deservește memorii USB și carduri SD cu o capacitate de 8GB.

1. Porniți dispozitivul de redare cu ajutorul înterupătorului ON/OFF (17, 27). Introduceți memoria USB sau SD în priză (priza USB - 42, priza SD - 30).
2. Alegeți modul de funcționare cu ajutorul tastei FUNCTION (5, 35).
3. Dispozitivul va descărca memoria și va arăta pe display numărul de melodii memorate. Apoi dispozitivul va începe redarea primei melodii.
4. Cu ajutorul butonului PLAY/PAUSE (10, 37) puteți opri și porni din nou redarea unei anumite melodii.
5. Cu ajutorul tastelor SKIP DOWN (12, 39) și SKIP UP (13, 40) puteți selecta redarea melodiilor anterioare sau a celor care urmează. Apăsarea pentru o perioadă mai lungă de timp a acestor taste în timpul redării melodiei conduce la derularea înapoi sau înainte.
6. Cu ajutorul tastelor ALBUM DOWN (15, 28) și ALBUM UP (16, 29) puteți trece la redarea catalogului anterior sau a următorului catalog cu melodii. În timpul redării melodiei apăsați o dată butonul MODE/CLOCK (9, 36) pentru a porni funcția de repetare a unei singure melodii.
7. Apăsarea repetată a tastei MODE/CLOCK (9, 36) conduce la repetarea întregului conținut a memoriei USB/cardului SD.
7. Scoaterea memoriei USB/cardurilor SD din priză trebuie realizată după oprirea radioului, sau după trecerea la redarea radio, redarea discurilor de gramofon ("PHON") sau a dispozitivului extern ("AUX").

FOLOSIREA APARATULUI CONECTAT CU AJUTORUL PRIZEI DE INTRARE UNIVERSALE AUX IN:

1. Conectați dispozitivul extern la aparatul de redare cu ajutorul prizei AUX IN (14).
2. Comutați dispozitivul de redare în modul de deservire AUX IN prin apăsarea tastei FUNCTION (5).

Aveți posibilitatea să redați fișiere de muzică salvate pe un telefon mobil echipat cu Bluetooth, pentru a fi redată pe radio.

1. Porniți dispozitivul, apăsați butonul "FUNCTION" pentru a selecta modul Bluetooth.
2. Activați conexiunea Bluetooth a dispozitivului de redare media. Dispozitivul de redare media va căuta acum dispozitive la care poate conectați.
3. Dispozitivul de redare media ar trebui să primească acum codul dispozitivului CR 1168
4. Utilizați dispozitivul de redare media pentru a vă conecta la radio. Pentru aceasta, selectați CR 1168 pe dispozitivul de redare media.

REDAREA DISCURILOR DIN VINIL

Înainte de prima folosire a gramofonului, dați la o parte elementul protector al acului gramofonului (23) și desfaceți nodul de asigurare a brațului gramofonului, care se găsește în apropierea blocadei brațului gramofonului (20).

1. Eliberați blocada brațului (20) și setați aparatul în modul PHON cu ajutorul tastei FUNCTION (5, 35).
2. Amplașați discul pe discul gramofonului. Dacă este nevoie folosiți adaptorul (18).
3. Alegeți viteza de rotire a discului (viteza de redare în funcție de tipul discului) cu ajutorul comutatorului (21).
4. Cu ajutorul pârghiei (19) ridicați brațul gramofonului, acest lucru va conduce la rotirea discului gramofonului. Mutați delicat brațul deasupra melodiei pe care doriți să o ascultați. Coborâți brațul acului cu ajutorul pârghiei (19).
5. Prin rotirea butonului de reglare a intensității sunetului (17) sau folosind butoanele (40) de pe telecomandă, puteți seta intensitatea sunetului.
6. Pentru a opri redarea discului, ridicați brațul acului gramofonului cu ajutorul pârghiei (19).
7. După ce redarea discului a luat sfârșit, ridicați brațul gramofonului cu ajutorul pârghiei gramofonului (19). Puneți brațul pe blocadă (20) și coborâți cu ajutorul pârghiei (19).
8. Pentru a activa sau dezactiva funcția AUTO-STOP folosiți comutatorul AUTO-STOP (32).

ÎNREGISTRAREA PE DISCUL USB/CARDUL SD

1. Înregistrare de pe radio - amplașați discul USB/cardul SD în slotul corespunzător (42 sau 30). Apăsăți tasta FUNCTION (5, 35) pentru a alege modul de recepționare a radioului. Cu ajutorul tastei BAND (11) alegeți lungimea undelor AM sau FM. Cu ajutorul tastelor SKIP DOWN (12, 39) și SKIP UP (13, 40) alegeți frecvența radio dorită. Apăsăți tasta REC/DEL (8, 33). Dispozitivul în câteva secunde va citi driverele de memorie disponibile USB/SD. Cu ajutorul tastelor SKIP DOWN (12, 39) și SKIP UP (13, 40) alegeți dacă doriți să înregistrați pe memoria USB sau cardul SD. Confirmați prin apăsarea din nou a REC/DEL (8, 33). După câteva secunde aparatul va începe înregistrarea pe dispozitivul de memorie portabil (Dacă este conectată numai memoria USB sau numai cardul SD, prima apăsare a tastei REC/DEL va porni înregistrarea după câteva secunde). În timpul înregistrării pictograma REC va licări Pentru a finaliza înregistrarea apăsați tasta STOP/BAND (11, 38).

ATENȚIE: Pornirea procesului de înregistrare de pe radio începe cu o întârziere de câteva secunde. În timpul înregistrării de pe radio pot apare interferențe/zgomote.

2. Înregistrare de pe discul de vinil - amplașați discul USB/cardul SD în slotul corespunzător (42 sau 30). Apăsăți tasta FUNCTION (5, 35) pentru a alege modul "PHON". Amplașați discul de vinil pe disc și începeți redarea melodiei pe care doriți să o înregistrați prin setarea brațului gramofonului pe locul corespunzător. Ceilalți pași sunt identici cu cei ca în cazul înregistrării de pe radio.

3. Înregistrare de pe dispozitivul extern (modul AUX) - amplașați discul USB/cardul SD în slotul corespunzător (42 sau 30). Apăsăți tasta FUNCTION (5, 35) pentru a alege modul "AUX". Conectați dispozitivele externe la priză AUX IN (14) și alegeți de pe dispozitivul extern melodia pe care doriți să o înregistrați. Ceilalți pași sunt identici cu cei ca în cazul înregistrării de pe radio.

ȘTERGEREA MELODIILOR DE PE DISCUL USB/CARDUL SD

1. Ștergerea unei singure melodii - amplașați discul USB/cardul SD în slotul corespunzător (42 sau 30). Alegeți melodia pe care doriți să o ștergeți Cu ajutorul tastelor SKIP DOWN (12, 39) și SKIP UP (13, 40) și începeți redarea acesteia. Apăsăți pentru o perioadă de aprox. 3 secunde tasta REC/DEL (8, 33).

CURĂȚARE ȘI MENTENANȚĂ

1. Deconectați aparatul de la rețeaua de alimentare cu curent electric.
2. Aparatul poate fi șters cu doar o cârpă uscată.
3. Aparatul trebuie păstrat în încăperi uscate.

ATENȚIE: Nu utilizați apă pentru a curăța aparatul, acesta se poate deteriora.

DATE TEHNICE

Tensiunea de alimentare: 230V ~50Hz

Puterea RMS de ieșire: 2x 1,5W



Din grija pentru mediul înconjurător. Ambalajele din carton vă rugăm să le transmiteți la centrele de maculatură. Sacii din polietilenă (PE) trebuie aruncați în recipientele pentru materialele plastice. Dispozitivul uzat trebuie transmis la punctul corespunzător de depozitare, deoarece componentele periculoase care se găsesc în dispozitiv pot fi foarte periculoase pentru mediul înconjurător. Dispozitivul electric trebuie transmis în așa fel încât să se limiteze utilizarea lui repetată. Dacă în dispozitiv se găsesc baterii acestea trebuie scoase și transmise către punctul de depozitare a acestora, separat.

BOSANSKI

OPŠTI USLOVI BEZBJEDNOSTI. VAŽNE UPUTE KOJE SE TIČU BEZBJEDNOSTI UPOTREBE. PROCITAJTE IH PAŽLJIVO I SAČUTOVAJTE KAKO BISTE IH KONSULTOVALI U BUDUĆNOSTI

1. Prije početka eksploatacije aparata treba pročitati uputstvo za upotrebu i postupati prema njegovim uputama. Proizvođač ne snosi odgovornost za štete koje su nastale uslijed nenamjenske upotrebe ili neodgovarajućeg rukovanja.
2. Aparat je namjenjen isključivo za kućnu upotrebu. Ne smije se koristiti u druge svrhe – koje nisu u skladu s njegovom namjenom.
3. Aparat treba priključiti isključivo u utičnicu sa uzemljenjem 230 V ~ 50Hz
U cilju povećanja bezbjednosti eksploatacije, u jedno strujno kolo se ne može istovremeno priključiti više električnih uređaja.
4. Treba obraćati posebnu pažnju tokom korištenja aparata, kad se u blizini nalaze djeca. Nemojte dopustiti djeci da se igraju aparatom. Nemojte dozvoljavati djeci niti osobama koje nisu upoznate sa aparatom da ga koriste.

5. **UPOZORENJE:** Ovaj uređaj mogu da koriste djeca starija od 8 godina i osobe sa ograničenim fizičkim, osjetilnim i mentalnim sposobnostima ili osobe neiskusne te neupoznate sa uređajem, ako se upotreba vrši pod nadzorom osobe odgovorne za njihovu bezbjednost ili ako su ove osobe dobile upute vezane za bezbjednu upotrebu uređaja i svjesne su opasnosti vezanih za upotrebu uređaja. Djeca se ne smiju igrati sa uređajem. Čišćenje i konzervacija uređaja ne smije se vršiti od strane djece, sem ako su starija od 8 godina i vrše ove radnje pod nadzorom odrasle osobe
6. Uvijek nakon upotrebe, izvadite utikač iz utičnice za napajanje, pridržavajući utičnicu rukom. **NEMOJTE** vući mrežni kabel.
7. Ne potapati kabel, utikač ili sav aparat u vodu ili bilo koju drugu tečnost. Ne izlagati djetstvu atmosferskih prilika (kiša, sunce i dr.) i ne koristiti u uslovima povišene vlažnosti (kupaćica, „vlažne“ vikendice).
8. Periodično provjeravajte stanje kabela za napajanje. Ako je kabel za napajanje oštećen, treba biti promjenjen od strane specijalizovanog servisa sa ciljem sprječavanja opasnosti.
9. Nemojte koristiti aparat: kad je oštećen kabel za napajanje, nakon pada na tlo, kad je na bilo koji način oštećen, kad nepravilno radi. Nemojte samostalno popravljati aparat zbog opasnosti od udara struje. Oštećen aparat predajte odgovarajućem servisu da izvrši provjeru ili popravak. Sve popravke mogu vršiti isključivo ovlašteni servisi. Nepravilno izveden popravak može prouzročiti ozbiljnu opasnost za korisnika.
10. Aparat treba staviti na hladnu, stabilnu, ravnu površinu, daleko od zagrijanih kuhinjskih uređaja kao što su: štednjak, plinski plamenik i dr.
11. Nemojte koristiti aparat u blizini lako zapaljivih materijala.
12. Kabel za napajanje ne može visjeti preko ruba stola niti dodirivati vruće površine.
13. Aparat ili uređaj za napajanje ne smiju da budu priključeni na utičnicu bez nadzora.
14. Da se obezbijedi dodatna zaštita preporučujemo da u električnom krugu instalirate zaštitni uređaj diferencijalne struje (RCD) sa nominalnom diferencijalnom strujom, koja nije veća od 30 mA. U vezi sa tim treba se obratiti električaru-stručnjaku.
15. Nemojte dozvoliti da se radio smoči.
16. Smije se brisati samo suhom krpicom. Nemojte koristiti vodu niti sredstva za čišćenje.
17. Kako bi se osiguralo uređaj za uštedu energije, ako ne registruje signal iz gramofona / AUX IN za 10 minuta, automatski prelazi u Standby režim.
18. Radio treba da bude u suhoj prostoriji.

OPIS UREĐAJA

1.	Poklopac gramofona	23.	Štit gramofonske igle
2.	LCD displej	24.	Utičnica LINE OUT
3.	Dioda napajanja	25.	Kabl FM antene
4.	Ugrađen zvučnik	26.	Kabl za napajanje
5.	Dugme FUNCTION	27.	Dugme STANDBY
6.	Dugme SLEEP/TIMER	28.	Dugme PRESET/ALBUM DN
7.	Ulaz za slušalice	29.	Dugme PRESET/ALBUM UP
8.	Dugme REC/DEL	30.	Utor kartice SD
9.	Dugme MODE/CLOCK	31.	Dugme MUTE
10.	Dugme PLAY/PAUSE/TUNER SCAN	32.	Prekidač AUTO-STOP
11.	Dugme STOP/BAND	33.	Dugme REC/DEL
12.	Dugme SKIP DOWN	34.	Dugme FM ST.
13.	Dugme SKIP UP	35.	Dugme FUNCTION
14.	Ulaz AUX	36.	Dugme MODE/CLOCK
15.	Dugme ALBUM/PRESET DOWN	37.	Dugme PLAY/PAUSE
16.	Dugme ALBUM/PRESET UP	38.	Dugme STOP/BAND
17.	Prekidač ON/OFF/ kontrola jačine zvuka	39.	Dugme SKIP DOWN
18.	Adapter ploča 45RPM	40.	Dugme SKIP UP
19.	Ručica gramofona	41.	Dugmad VOLUME UP/DOWN
20.	Blokada ručice gramofona	42.	Utičnica USB
21.	Podšavanje brzine rotacije ploče		
22.	Ručica gramofona		

PODEŠAVANJE SATA

Pre prve upotrebe, raspakujete sve i uklonite sve zaštitne materijale. Proširite kabel FM antene i kabel za napajanje. Nemojte zaklanjati otvore za ventilaciju, uverite se, da oko radija ima nekoliko centimetara prostora potrebno za pravilnu ventilaciju.

1. U režimu pripravnosti, pritisnite i držite dugme MODE/CLOCK (9, 36). Na displeju (2) će treptati natpis "12H/24H". Pomoću dugmadi SKIP DOWN (12, 39) i SKIP UP (13, 40) odaberite 12-satni ili 24-satni način rada i potvrdite ponovnim pritiskom dugmeta MODE/CLOCK (9, 36). Uređaj će ući u način uređivanja sati.

2. Pomoću dugmadi SKIP DOWN (12, 39) i SKIP UP (13, 40) postavite trenutni sat i potvrdite pritiskom na dugme MODE/CLOCK (9, 36). Uređaj će ući u način uređivanja minuta.
3. Pomoću dugmadi SKIP DOWN (12, 39) i SKIP UP (13, 40) postavite trenutnu minutu i potvrdite pritiskom na dugme MODE/CLOCK (9, 36).

FUNKCIJA TIMERA (AUTOMATSKO ISKLJUČIVANJE)

1. Kada je uređaj uključen, pritisnite dugme SLEEP/TIMER (6) odgovarajući broj puta za odabir vremena nakon kojeg se uređaj isključuje (90, 80, 70...10 minuta).
2. Natpis "SLEEP" na displeju ukazuje na to da je aktivirana funkcija automatskog isključivanja.
3. Nakon odabranog vremena uređaj se isključuje i prebacuje na režim priprevnosti.

DUGME FUNCTION (5)

Koristi se za promjenu režima rada uređaja

- PHON (režim play gramofona)
- AUX (režim rada vanjskog uređaja)
- režim radio prijema FM
- MP3 (režim čitanja USB memorije ili SD kartice)

SLUŠANJE RADIA

1. Uključite uređaj dugmetom ON/OFF (17, 27) i postavite režim prijema radia dugmetom FUNCTION (5).
2. Pomoću dugmeta BAND (11) odaberite talasne dužine AM ili FM.
3. Pomoću dugmadi SKIP DOWN (12, 39) i SKIP UP (13, 40) podesite željenu radio frekvenciju. Pritiskanje i držanje oko 1-2 sekunde ove dugmadi će automatski tražiti obližnje frekvencije. Nakon što je pronađena pretraga se zaustavlja.
4. Kada se pronađe frekvencija odabrane stanice, pritisnite dugme MODE/CLOCK (9, 36) kako bi se sačuvali stanica.
5. Ponovite korake 3-4 da memorišete odabrane stanice (max 30 programa – FM, max 20 programa – AM).
6. Upotrebom dugmeta PRESET DOWN (15) i PRESET UP (16) možete birati između podešenih programa.
7. Okretanjem dugmeta za jačinu zvuka (17) ili pomoću tipki (40) na daljinskom upravljaču, možete podesiti jačinu zvuka.
8. Antena FM (24) nalazi se na zadnjem panelu. Ako je prijem signala slab, pokušajte da premestite antenu ili možete premestiti prijemnik na drugu lokaciju ili okrenuti ga u drugom pravcu, da uhvatite najjači signal.
- AM antena nalazi se unutar radio prijemnika. Ako je prijem signala slab, pokušajte da premestite prijemnik ili možete premestiti ga na drugu lokaciju ili okrenuti ga u drugom pravcu, da uhvatite najjači signal.
9. Dugme TUNER SCAN (10) se koristi za automatsko pretraživanje i sačuvanje dostupnih radio stanica.

REPRODUKCIJA MP3 FAJLOVA IZ USB/ SD MEMORIJE

PAŽNJA: Uređaj može da ne bude kompatibilan sa svim datotekama zbog razlika u kodiranju. Uređaj možda neće raditi s nekim USB / SD memorijama. Uređaj podržava USB memorije i SD kartice kapaciteta do 8GB.

1. Uključite plejer prekidačem ON/OFF (17, 27). Stavite USB ili SD memoriju u prorez (prorez USB - 42, prorez SD - 30).
2. Odaberite režim rada pritiskom FUNCTION (5, 35).
3. Uređaj čita memoriju i na ekranu se prikazuje broj pohranjenih numera. Zatim, uređaj će početi igrati prvu pjesmu.
4. Pomoću dugmeta PLAY/PAUSE (10, 37) možete pauzirati i ponoviti reprodukciju pjesme.
5. Pomoću dugmadi SKIP DOWN (12, 39) i SKIP UP (13, 40) možete odabrati igranje bilo prethodnu ili sledeće numere. Pritiskom i držanjem ovih dugmeta tokom reprodukcije pjesme će uzrokovati njeno skrolovanje unazad ili unapred.
6. Pomoću dugmadi ALBUM DOWN (15, 28) i ALBUM UP (16, 29) možete ići na reprodukovanje prethodnog ili sljedećeg foldera pjesama.
7. Za vrijeme reprodukcije pjesme, pritisnite jednom dugme MODE/CLOCK (9, 36) za obavljanje ponavljanja jedne pjesme. Još jedan pritisak na MODE/CLOCK (9, 36) će ponoviti reprodukovanje cijele memoriju USB/kartice SD.
8. Uklanjanje USB memorije/ SD kartice iz slotova treba učiniti nakon što isključite radio, ili prebacivanju na prijem radija, reprodukcije gramofonskih ploča ("PHON") ili vanjskog uređaja ("AUX").

KORIŠĆENJE UREĐAJA POVEZANOG PREKO UNIVERSALNOG ULAZNOG PRIKLJUČKA AUX IN:

1. Povežite vanjski uređaj za plejer kroz гнездо AUX IN (14).
2. Prebacite player u režim rada AUX IN pritiskom dugmeta FUNCTION (5).

Možete da reprodukujete muzičke datoteke sačuvane na mobilnom telefonu opremljenom Bluetooth-om, za reprodukciju na radio utičnici.

1. Uključite uređaj, pritisnite tipku „FUNCTION“ za odabir Bluetooth načina.
2. Aktivirajte Bluetooth vezu uređaja za reprodukciju medija. Uređaj za reprodukciju medija će sada tražiti uređaje kojima može connect.
3. Uređaj za reprodukciju medija bi sada trebao primati kod uređaja CR 1168
4. Koristite uređaj za reprodukciju medija za povezivanje sa radiom. Da biste to uradili, na uređaju za reprodukciju medija odaberite CR 1168.

REPRODUKCIJA VINIL PLOČA

Prije prve upotrebe gramofona, skinite poklopac sa igle gramofona (23) i odvežite čvor koji osigurava ručku gramofona koja se nalazi blizu blokade ručice gramofona (20).

1. Otpustite zaključavanje ručke (20) i postavite uređaj u režim PHON pomoću dugmeta FUNCTION (5, 35).
2. Postavite ploču na tanjir gramofona. Ako je potrebno, koristite adapter (18).
3. Odaberite obrtnu brzinu tanjira (brzina reprodukcije ovisi o vrsti diska) sa prekidačem (21).
4. Uz pomoć poluge (19) dignite ručku gramofona, ovo će započeti rotaciju tanjira s vinil pločom. Lagano gurnite ručku preko numere će želite slušati. Spustite ručku igle pomoću poluge (19).
5. Okretanjem dugmeta kontrole za jačinu zvuka (17) ili pomoću dugmadi (40) na daljinskom upravljaču možete podesiti jačinu zvuka.
6. Za zaustavljanje reprodukcije ploče, podignite ručku gramofona s polugom (19).
7. Nakon završetka ploče podignite ručku gramofona s polugom gramofona (19). Pomaknite ručku nad blokadu (20) i spustite pomoru poluge (19).
8. Da biste uključili ili isključili funkciju AUTO-STOP koristite prekidač AUTO-STOP (32).

SNIMANJE NA HDD USB/ SD KARTICU

1. Snimanje sa radia – stavite disk USB/ SD karticu u pravilan utor (42 ili 30). Pritisnite dugme FUNCTION (5, 35) za odabir režima radio prijema. Pomoru dugmeta BAND (11) odaberite talasne dužine AM ili FM. Pomoću dugmadi pomoću okretnog prekidača SKIP DOWN (12, 39) i SKIP UP (13, 40) podesite željenu radio frekvenciju. Pritisnite dugme REC/DEL (8, 33). Uređaj u nekoliko sekundi čita dostupne memorije USB/SD za skladištenje. Pomoću dugmadi pomoću okretnog prekidača SKIP DOWN (12, 39) i SKIP UP (13, 40) odaberite želite li snimiti na USB memoriju ili SD karticu. Potvrdite ponovnim pritiskom REC/DEL (8, 33). Nakon nekoliko sekundi uređaj će početi snimanje na odabranu memoriju (Ako je priključena samo USB memorija ili SD kartica, prvi pritisak REC / DEL će započeti snimanje nakon nekoliko sekundi). U vrijeme snimanja ikona REC će treperiti. Za zaustavljanje snimanja, pritisnite dugme STOP/BAND (11, 38).

PAŽNJA: Pokretanje procesa snimanja s radia traje nekoliko sekundi. Može doći do smetnji/ buke za vrijeme snimanja s radija.

2. Snimanje iz vinil ploče – postavite disk USB/ SD karticu u pravilan utor (42 ili 30). Pritisnite dugme FUNCTION (5, 35) za odabir režima "PHON". Postavite vinil ploču na tanjiru i počnite reproducirati pjesmu koju želite snimiti postavljanjem ručke gramofona na pravom mjestu. Dalji koraci su isti

kao kada snimate s radija.

3. Snimanje iz vanjskog uređaja (tryb AUX) - postavite USB disk/ SD karticu u pravilan utor (42 ili 30). Pritisnite dugme FUNCTION (5, 35) za odabir režima "AUX". Povežite vanjske uređaje na utičnicu AUX IN (14) i izaberite na vanjskom uređaju pjesmu, koji želite snimiti. Dalji koraci su isti kao kada snimate s radija.

UKLANJANJE Pjesama SA HDD USB/ SD KARTICE

Brisanje jednog snimanja - stavite USB disk/ SD karticu u pravilan utor (42 ili 30). Odaberite numeru koju želite izbrisati pomoću dugmadi SKIP DOWN (12, 39) i SKIP UP (13, 40) i počnite ga igrati. Pritisnite i držite za oko 3 sek. dugme REC/DEL (8, 33).

ČIŠĆENJE I ODRŽAVANJE

1. Isključite uređaj iz električne mreže.
2. Uređaj se može obrisati samo suvom krpom.
3. Uređaj treba čuvati na suhom mjestu.

PAZNJA: Nemojte koristiti vodu za čišćenje, to može oštetiti uređaj.

TEHNIČKI PODACI

Napon napajanja: 230V ~50Hz

RMS izlazna snaga: 2x 1,5W



Brinući za okoliš. Molimo Vas da kartonska pakovanja odnesete u otkup otpadnog papira. Polietilenske džakove (PE) bacajte u kontejner za plastiku. Iskoristi uređaj treba odneti na odgovarajuću deponiju, jer opasni sastojci koji se u njemu nalaze, mogu biti opasni za okoliš. Električni uređaj treba odneti na način, koji ograničava njegovu ponovnu upotrebu i korištenje. Ako se u uređaju nalaze baterije, treba ih izvaditi i odvojeno predati na deponiju. Uređaj se ne smije bacati u kontejner za komunalni otpad!!

MAGYAR

A BIZTONSÁGRA VONATKOZÓ FONTOS UTASÍTÁSOK OLVASSA EL FIGYELMESEN, ÉS ŐRIZZE MEG A KÉSŐBBIEKRE

1. A készülék használatbavétele előtt olvassa el a kezelési útmutatót, és járjon el az abban leírtak szerint. A gyártó nem vállal felelősséget a rendeltetéstől eltérő használatból vagy a nem megfelelő kezelésből eredő esetleges károkért.
2. A berendezés kizárólag otthoni használatra készült. Ne használja, más, a rendeltetésétől eltérő célra.
3. A berendezést kizárólag 230 V ~ 50 Hz, földelt dugaszolóaljzatra szabad csatlakoztatni. A biztonság fokozása érdekében egy áramkörre nem szabad egy időben nagyon sok elektromos készüléket kötni.
4. Különösen óvatosan kell eljárni a készülék használatakor, ha a közelben gyerekek tartózkodnak. Nem szabad megengedni, hogy a gyerekek játszanak a készülékkel, sem pedig azt, hogy a berendezést nem ismerő személyek használják.
5. FIGYELMEZTETÉS: Jelen készüléket használhatják 8 évnél idősebb gyermekek, valamint fizikai, érzékelő vagy pszichikai képességeikben korlátozott személyek, vagy olyan valaki, aki nem ismeri a készüléket, nincs vele tapasztalata, feltéve, hogy ez a biztonságukért felelős személy felügyeletével történik, vagy kioktatták őket a készüléknek biztonságos használatára, és tudatában vannak a használatával járó veszélyeknek. A gyerekek nem játszhatnak a berendezéssel. A berendezést ne tisztítsák és ne tartsák karban gyerekek, esetleg csak akkor, ha 8 évnél idősebbek, és ezt felügyelettel teszik.
6. Használat után húzza ki a dugaszt a hálózati dugaszolóaljzathoz úgy, hogy kézzel tartja a dugaszolóaljzatot. NE húzza a hálózati kábelnél fogva.
7. Ne merítse a kábelt, a dugaszt vagy az egész készüléket vízbe vagy más folyadékba. Ne tegye ki a készüléket az időjárás hatásainak (eső, napsütés stb.), és ne használja megnövekedett páratartalmú körülmények között (fürdőszoba, nedves kempingházak).
8. Időként ellenőrizze a hálózati kábel állapotát. Ha a hálózati kábel sérült, akkor a veszély megszüntetése érdekében azt erre specializált javítóműhelyben ki kell cseréltetni.
9. Ne használja a készüléket sérült hálózati kábellel, vagy ha azt leejtették, vagy bármilyen más módon megsérült, illetve rosszul működik. Ne javítsa önállóan a készüléket, mivel ez áramütés veszélyével jár. A sérült berendezést adja be megfelelő szervizbe ellenőrzésre vagy javításra. Bármilyen javítást kizárólag erre jogosult szerviz végezhet. A helytelenül végzett javítás komoly veszélyt jelenthet a használó számára.
10. A készüléket hideg, stabil, lapos felületre kell állítani, messze olyan konyhai készülékektől, amelyek felmelegedhetnek: pl. mikrosütőtől, gáztűzhelytől stb.

11. Ne használja a készüléket gyúlékony anyagok közelében.
12. A hálózati kábel nem lóghat az asztal szélén túl, vagy nem érhet forró felülethez.
13. Nem szabad felügyelet nélkül hagyni a bekapcsolt készüléket vagy tápegységet.
14. Plusz védelem érdekében ajánlott az elektromos áramkörbe 30 mA-t nem meghaladó névleges túláramra méretezett túláram-védőkapcsolót (RDC) kell beépíteni. Ezt villanszerelőre kell bízni.
15. Ne hagyja, hogy víz érje a rádiót.
16. Csak száraz ruhával szabad áttörölni a rádiót. Ne használjon vizet vagy folyékony tisztítószereket.
17. A készülék energiatakarékosságának biztosítása céljából, ha az 10 percen keresztül nem regisztrál jelet a lemeztápszóról/az AUX IN bemenetről, akkor automatikusan átmegy Standby üzemmódba.
18. Száraz helyen tartsa a rádiót.

A KÉSZÜLÉK LEÍRÁSA

1.	Lemeztápszó fedél	23.	Lemeztápszó tűvédő
2.	LCD kijelző	24.	LINE OUT aljzat
3.	Áramellátás LED	25.	FM antenna kábel
4.	Beépített hangszóró	26.	Tápkábel
5.	FUNCTION nyomógomb	27.	STANDBY nyomógomb
6.	SLEEP/TIMER nyomógomb	28.	PRESET/ALBUM DN nyomógomb
7.	Fejhallgató kimenet	29.	PRESET/ALBUM UP nyomógomb
8.	REC/DEL nyomógomb	30.	SD kártya aljzat
9.	MODE/CLOCK nyomógomb	31.	MUTE nyomógomb
10.	PLAY/PAUSE/TUNER SCAN nyomógomb	32.	AUTO-STOP átkapcsoló
11.	STOP/BAND nyomógomb	33.	REC/DEL nyomógomb
12.	SKIP DOWN nyomógomb	34.	FM ST. nyomógomb
13.	SKIP UP nyomógomb	35.	FUNCTION nyomógomb
14.	AUX bemenet	36.	MODE/CLOCK nyomógomb
15.	ALBUM/PRESET DOWN nyomógomb	37.	PLAY/PAUSE nyomógomb
16.	ALBUM/PRESET UP nyomógomb	38.	STOP/BAND nyomógomb
17.	ON/OFF kapcsoló/hangerőszabályzó	39.	SKIP DOWN nyomógomb
18.	Adapter a 45-ös fordulatú lemezekhez	40.	SKIP UP nyomógomb
19.	Lemeztápszókar emelő	41.	VOLUME UP/DOWN nyomógombok
20.	lemeztápszókar reteszélése	42.	USB aljzat
21.	A tányérforgási sebességszabályzó		
22.	Lemeztápszókar		

AZ ÓRA BEÁLLÍTÁSA

Az első használat előtt csomagolja ki mindent és távolítsa el az összes biztosító anyagot. Bontsa ki az FM antenna kábelét és a tápkábelt. Ne takarja le a szellőző nyílásokat, győződjön meg arról, hogy van a rádió körül néhány centiméter tér, mely a megfelelő szellőzéshez szükséges.

1. Készenléti módban nyomja meg és tartsa nyomva a MODE/CLOCK gombot (9,36). A kijelzőn (2) villogni kezd a „12H/24H” felirat. A SKIP DOWN (12, 39) és a SKIP UP (13, 40) nyomógomb segítségével válassza ki a 12 óras vagy 24 óras módot és hagyja jóvá a MODE/CLOCK nyomógomb (9,36) újbóli megnyomásával. A készülék ekkor átvált az óra szerkesztés módra.
2. A SKIP DOWN (12, 39) és SKIP UP (13, 40) nyomógomb segítségével állítsa be az aktuális órát és hagyja jóvá a MODE/CLOCK gomb (9, 36) megnyomásával. A készülék átvált a perc szerkesztés módra.
3. A SKIP DOWN (12, 39) és SKIP UP (13, 40) nyomógomb segítségével állítsa be az aktuális percet és hagyja jóvá a MODE/CLOCK gomb (9, 36) megnyomásával.

A TIMER FUNKCIÓ (AUTOMATIKUS KIKAPCSOLÁS)

1. Amikor a készülék be van kapcsolva nyomja meg megfelelő számban a SLEEP/TIMER gombot (6) az idő kiválasztásához mely után a készülék nem ki kell kapcsolnia (90, 80, 70, ...10 perc).
2. A kijelzőn a „SLEEP” felirat tájékoztat arról, hogy az automatikus kikapcsolás funkció aktív.
3. A beállított idő eltelte után a készülék kikapcsol és átvált készenléti módra.

FUNCTION NYOMÓGOMB (5)

- A készülék működési módjának változtatására szolgál
- PHON (lemeztápszó mód)
 - AUX (külső készülék kiszolgálás mód)
 - FM rádióvételi mód
 - MP3 (USB memória vagy SD kártyaolvasási mód)

RÁDIÓ HALLGATÁSA

1. Kapcsolja be a készüléket az ON/OFF nyomógombbal (17, 27) és állítsa be a rádió módot a FUNCTION gombbal (5).
2. A BAND nyomógomb (11) segítségével válassza ki a hullámhosszt AM vagy FM.
3. A SKIP DOWN (12, 39) és a SKIP UP (13, 40) nyomógombok segítségével hangolja be a kívánt rádióállomást. A nyomógombok megnyomásával és 1-2 másodpercen átí nyomvatartásával automatikusan megkeresi a legközelebbi állomást. Minek megtalálása után a keresés befejeződik.
4. Ha megtalálta a kiválasztott frekvenciát, nyomja meg a MODE/CLOCK gombot (9, 36) az állomás elmentése céljából.
5. Ismételje meg a 3.-4. lépéseket a kiválasztott állomások beprogramozásához. (max. 30 program - FM, max. 20 program - AM).
6. A PRESET DOWN (15) és a PRESET UP (16) gombok használatával tud választani a beállított programok közül.
7. A hangerőszabályzó gomb (17) elforgatásával, vagy használva a távirányító gombjait (40) tudja beállítani a hangerősséget.
8. Az FM antenna (24) a hátsó panelen található. Ha a vételi jel gyenge, próbálja átállítani az antennát és megtalálni azt a helyet, ahol a jel a legerősebb.

Az AM antenna a rádiókészülék belsejében van. Ha vételi jel gyenge, próbálja áthelyezni a vevőkészüléket más helyre, elfordítani azt más irányba, hogy megtalálja a legerősebb jelet.

9. A TUNER SCAN nyomógomb (10) az elérhető rádióállomások automatikus keresését és eltárolását szolgálja.

MP3 FILE-OK LEJÁTSZÁSA USB/SD MEMÓRIÁBÓL

FIGYELEM: A készülék nem biztos, hogy kompatibilis minden file-al, a kódolások különbségei miatt.

A készülék lehet hogy nem működik együtt némelyik USB tárolóval/SD kártyával. A készülék maximum 8GB kapacitású USB tárolót és SD kártyát szolgál ki.

1. Kapcsolja be a lejátszót az ON/OFF kapcsolóval (17, 27). Tegye az USN vagy SD memóriát az aljzatba (USB aljzat-42, SD aljzat-30).
2. Válassza ki a működési módot a FUNCTION nyomógombbal (5, 35).
3. A készülék beolvassa a memóriát és a kijelzőn megjelenik a felvett műsorszámok száma. Majd a készülék elkezd lejátszani az első számot.
4. A PLAY/PAUSE nyomógomb (10, 37) segítségével lehet megállítani és ismételni az adott szám lejátszását.
5. A SKIP DOWN (12, 39) és a SKIP UP (13, 40) nyomógombok segítségével kiválaszthatja az elő vagy következő szám lejátszását. A nyomógombok zeneszám lejátszás közben megnyomásával és nyomvatartásával előre vagy hátra tekerést érthetők el.
6. Az ALBUM DOWN (15, 28) és az ALBUM UP (16, 29) nyomógombok segítségével áll lehet lépni az előző vagy következő zeneszám mappák lejátszására.
7. A zeneszám lejátszása közben nyomja meg egyszer a MODE/CLOCK gombot (9, 36) a zeneszám megismétléséhez. A MODE/CLOCK gomb további megnyomása a teljes memória USB/SD kártya tartalmának megismétlését eredményezi.
8. Az USB/SD kártya memóriát, a készülék kikapcsolása után távolítsa el az aljzataból, vagy váltson át rádió vételre, lemezejátszó hallgatásra („PHON”) vagy külső készülékre („AUX”).

AZ AUX IN UNIVERZÁLIS BEMENETRE KAPCSOLT KÉSZÜLÉK HASZNÁLATA

1. Csatlakoztassa a külső készüléket a lejátszóhoz az AUX IN aljzaton (14) keresztül.
2. Állítsa a lejátszót az AUX IN módba, megnyomva az FUNCTION gombot (5).

A Bluetooth csatlakozással ellátott mobiltelefonon tárolt zenefájlok lejátszása a hálózati aljzat rádiójával történő lejátszáshoz.

1. Kapcsolja be a készüléket, nyomja meg a „FUNCTION” gombot a Bluetooth üzemmód kiválasztásához.
2. Aktiválja a médialejátszó eszköz Bluetooth-kapcsolatát. A médialejátszó eszköz most keresi azokat az eszközöket, amelyekre képes csatlakozni.
3. A médialejátszó készüléknek most az CR 1168 eszközkódot kell fogadnia
4. A médialejátszó eszközzel csatlakoztassa a rádiót. Ehhez válassza ki az CR 1168-t a médialejátszó eszközön.

HANGLEMEZEK LEJÁTSZÁSA

A lemezejátszó első használata előtt vegye le lemezejátszó tűvédőt (23) és oldja ki a lemezejátszó kart biztosító kötetést ami a lemezejátszókar reteszelésénél (20) található.

1. Oldja ki a lemezejátszókar reteszelését (20) és állítsa a készüléket PHON módra a FUNCTION gomb (5,35) segítségével.
2. Helyezze a lemezt a lemezejátszó tányérjára. Ha szükséges, használjon adaptert (18).
3. Válassza ki az átkapcsoló (21) segítségével a tányérforgási sebességet (a lejátszási sebesség függ a lemez fajtájától).
4. Az emelő (19) segítségével emelje fel a lemezejátszókart, megindul a lemezejátszó tányér forgása a lemezzel.
5. Óvatosan állítsa a kart a lejátszani kívánt zeneszám fölé. Az emelő (19) segítségével engedje le a tűkart.
6. A hangerőszabályzó gombját (17) elfordítva, vagy a távirányító gombjait (40) használva tudja beállítani a hangerősséget.
7. A lemez lejátszásának megszakításához emelje fel a lemezejátszókart az emelő (19) segítségével.
8. A lemez lejátszásának befejezését követően emelje fel a lemezejátszókart az emelő (19) segítségével. Tolja a kart a reteszelés fölé és engedje azt le az emelő (19) segítségével.
8. Az AUTO-STOP funkció ki- vagy bekapcsolásához, használja az AUTO-STOP átkapcsolót (32).

FELVÉTEL USB LEMEZRE/SD KÁRTYÁRA

1. Rádióról történő felvétel – helyezze az USB lemezt/SD kártyát a megfelelő aljzatba (42 vagy 30). Nyomja meg a FUNCTION gombot (5, 35) a rádiómód kiválasztásához. A BAND nyomógomb (11) segítségével válassza ki a hullámhosszat AM vagy FM. A SKIP DOWN (12, 39) és a SKIP UP (13, 40) nyomógombok segítségével állítsa be a kívánt rádió adót. Nyomja meg a REC/DEL gombot (8, 33). A készülék néhány másodperc alatt beolvassa az USB/SD memóriát. A SKIP DOWN (12, 39) és a SKIP UP (13, 40) nyomógombok segítségével válassza ki, hogy USB memóriára vagy SD kártyára akar felvenni. Fogadja el a REC/del (8, 33) újbóli megnyomásával. A készülék néhány másodperc múlva elkezd a felvételt a kiválasztott memóriakártyára. (Ha csak USB memória vagy csak SD kártya van csatlakoztatva, akkor a REC/DEL gomb első megnyomása elindítja néhány másodperc múlva a felvételt). A felvétel ideje alatt az REC ikon villogni fog. A felvétel megállításához nyomja meg a STOP/BAND gombot (11, 38). **FIGYELEM:** A rádióból történő felvétel folyamata néhány másodperces késéssel indul. Interferencia/zajok léphetnek fel a rádióból történő felvétel során.
2. Hanglemezről történő felvétel - helyezze az USB lemezt/SD kártyát a megfelelő aljzatba (42 vagy 30). Nyomja meg a FUNCTION gombot (5, 35) a „PHON” mód kiválasztásához. Tegye a hanglemezt a tányérra és kezdje el lejátszani azt zeneszámot, amelyiket fel akarja venni, a lemezejátszókar megfelelő helyre állításával. A további lépések ugyanazok, mint a rádióról történő felvétel esetében.
3. Külső készülékről történő felvétel (AUX mód)- helyezze az USB lemezt/SD kártyát a megfelelő aljzatba (42 vagy 30). Nyomja meg a FUNCTION gombot (5, 35) az „AUX” mód kiválasztásához. Csatlakoztassa a külső készüléket az AUX IN aljzathoz (14) és válassza ki azt a zeneszámot, amelyiket fel akar venni. A további lépések ugyanazok, mint a rádióról történő felvétel esetében.

ZENESZÁMOK TÖRLÉSE AZ USB LEMEZRŐL/SD KÁRTYÁRÓL

1. Zeneszámok egyenkénti törlése - helyezze az USB lemezt/SD kártyát a megfelelő aljzatba (42 vagy 43). Válassza ki azt a számot, amelyiket törölni akar, a SKIP DOWN (12, 39) és a SKIP UP (13, 40) nyomógombok segítségével. Nyomja meg és kb. 3 másodpercig tartsa nyomva a REC/Del gombot (8, 33).

TISZTÍTÁS ÉS KARBANTARTÁS

1. Válassza le a készüléket a hálózatról.
 2. A készüléket kizárólag száraz törülközővel szabad áttörölni.
 3. A készüléket száraz helyen kell tartani.
- FIGYELEM:** A tisztításhoz ne használjon vizet, mert az károsíthatja a készüléket.

MŰSZAKI ADATOK:

Tápfeszültség: 230V ~50Hz
Kimeneti RMS teljesítmény: 2x 1,5W



A környezet védelmére érdekében kérjük külön karton dobozok és műanyag zsákokat és dobja őket a megfelelő hulladék közé. Használt készüléket kell eljuttatni a kijelölt gyűjtőhelyekre miatt veszélyes elemek alkatrészeket, amelyek hatással lehetnek a környezetre. Ne dobja a készüléket a közös szemétkosárba.

македонски

УСЛОВИ НА БЕЗБЕДНОСТ. ВАЖНО УПАТСТВО ЗА БЕЗБЕДНОСТ ПРИ УПОТРЕБА ВЕ МОЛИМЕ ВНИМАТЕЛНО ПРОЧИТАЈТЕ И ЧУВАЈТЕ ГО ЗА ИДНИ ПОТСЕТУВАЊА.

Условите на гаранција се различни, ако уредот се користи за комерцијални цели.

1. Пред употреба на уредот внимателно прочитајте ги и секогаш следете ги следните упатства. Производителот не е одговорен за оштетувања кои произлегуваат од неправилна употреба на уредот.

2. Уредот треба да се употребува само внатре. Не употребувајте го уредот за било какви цели кои не се компатибилни со неговата примена.

3. Напонот е 230V, ~50Hz со заземјување. Од безбедносни причини не треба да се приклучуваат повеќе уреди на еден извор на електрична енергија.

4. Бидете внимателни кога го употребувате уредот во близина на деца. Не им дозволувајте на децата да си играат со уредот. Не им дозволувајте на децата или луѓето кои не го познаваат уредот да го користат без надзор.

5. ПРЕДУПРЕДУВАЊЕ: Овој уред може да се користи од страна на деца над 8 години и лица со намалени физички, сензорни или ментални способности, или лица со недостаток на искуство и знаење, само доколку се под надзор на лице одговорно за нивната безбедност, или ако тие се обучени за безбедност при употреба на уредот и се свесни за опасностите поврзани со неговото работење. Децата не треба да си играат со уредот. Чистење и одржување на уредот не треба да се врши од страна на децата, освен ако тие се над 8 години и овие активности се вршат под надзор.

6. Откако ќе завршите со употреба на уредот, полка извадете го приклучникот од доводот на струја, притоа придржувајќи го штекерот со рака. Никогаш не влечете го кабелот!!!

7. Никогаш не ставајте го кабелот, приклучникот или целиот уред во вода. Никогаш не изложувајте го уредот на атмосферски услови, како директна сончева светлина или дожд, итн. Никогаш не употребувајте го уредот во влажни услови.

8. Повремено проверувајте ја состојбата на електричниот кабел. Доколку тој е оштетен, однесете го уредот на овластен сервис за замена на кабелот со цел да се избегнат опасни ситуации.

9. Никогаш не употребувајте го уредот со оштетен кабел или ако ви паднал или бил оштетен на било каков начин или ако не работи правилно. Не обидувајте се сами да го поправате дефектниот производ бидејќи тоа може да доведе до електричен шок. Секогаш носете го таквиот уред на овластен сервис на поправка. Поправките можат да ги извршуваат единствено професионални лица од овластен сервис, бидејќи неправилните поправки можат да предизвикаат опасни ситуации за корисникот.

10. Никогаш не ставајте го уредот на или во близина на загреани или врели површини или кујнски уреди како електрични или плински шпорети.

11. Никогаш не користете го уредот во близина на запалливи материјали.

12. Не оставајте го кабелот да виси преку работ на работната површина.

13. Никогаш не оставајте го без надзор уредот поврзан со довод на струја. Дури и кога е употребата прекината за кратко време, исклучете го од струја, извадете го кабелот од штекер.

14. За гарантитане на додатна заштита, препорача се инсталиране на електричен систем дополнителен уред за различен напон на струја (RCD) со номинална струја не повеќе од 30 mA. Со тоа прашање обратите на стручан електричар.

15. Радиото не смее да се потопува во вода.

16. Радиото може да се чисти единствено со влажна крпа. Да не се користи вода или средства за чистење.

17. За да се осигура енергоштедливост на уредот, истиот ќе се исклучи за 10 минути, доколку не регистрира сигнал од грамофонот/AUX IN излезот и автоматски ќе премине во Standby состојба.

18. Радиото треба да се чува на суво место.

ОПИС НА УРЕДОТ

1.	Покривка на грамофонот	23.	Обвивка на грамофонската игла
2.	LCD екран	24.	Гнездо LINE OUT
3.	Полначка диода	25.	Антенски FM кабел
4.	Вграден звучник	26.	Кабел за полнење
5.	Копче FUNCTION	27.	Копче STANDBY
6.	Копче SLEEP/TIMER	28.	Копче PRESET/ALBUM DN
7.	Влез за слушалки	29.	Копче PRESET/ALBUM UP
8.	Копче REC/DEL	30.	Гнездо за SD карта
9.	Копче MODE/CLOCK	31.	Копче MUTE
10.	Копче PLAY/PAUSE/TUNER SCAN	32.	Префрлувач AUTO-STOP
11.	Копче STOP/BAND	33.	Копче REC/DEL
12.	Копче SKIP DOWN	34.	Копче FM ST.
13.	Копче SKIP UP	35.	Копче FUNCTION
14.	Влез AUX	36.	Копче MODE/CLOCK
15.	Копче ALBUM/PRESET DOWN	37.	Копче PLAY/PAUSE
16.	Копче ALBUM/PRESET UP	38.	Копче STOP/BAND
17.	Вклучувач ON/OFF/регулација на гласноста	39.	Копче SKIP DOWN
18.	Адаптер за плочи 45RPM	40.	Копче SKIP UP
19.	Грамофонски лост	41.	Копчиња VOLUME UP/DOWN
20.	Блокада на грамофонското раме	42.	Гнездо USB
21.	Регулација на брзината на вртежи на чинијата		
22.	Грамофонско раме		

ПОДЕСУВАЊЕ НА ЧАСОВНИКОТ

Пред првото користење, отпакувај сè и отстрани ги сите сигурносни материјали. Развиј го антенскиот FM кабел и кабелот за полнење. Не прекивај ги вентилационите отвори, осигурај се дека околу радиото има неколку центиметри, потребни за правилна вентилација.

1. Во состојба на чување, притисни и придржи го копчето MODE/CLOCK (9, 36). На екранот (2) ќе почне да трепка напис "12H/24H". Со помош на копчињата SKIP DOWN (12, 39) и SKIP UP (13, 40) избери 12-часовен или 24-часовен начин и потврди го со повторно притискање на копчето MODE/CLOCK (9, 36). Уредот тогаш ќе премине во начин на едисија на времето.

2. Со помош на копчињата SKIP DOWN (12, 39) и SKIP UP (13, 40) внеси го актуелното време и потврди го со притискање на копчето MODE/CLOCK (9, 36). Уредот ќе премине во начин на едисија на минутите.

3. Со помош на копчињата SKIP DOWN (12, 39) и SKIP UP (13, 40) внеси ја актуелната минута и потврди ја со притискање на копчето MODE/CLOCK (9, 36).

ФУНКЦИЈА ВРЕМЕНСКИ МЕРАЧ (АВТОМАТСКО ИСКЛУЧУВАЊЕ)

1. Кога уредот е вклучен, притискај го копчето SLEEP/TIMER (6) онолку пати, колку е потребно време за негово исклучување (90, 80, 70...10 минути).

2. Написот "SLEEP" на екранот информира дека функцијата за автоматско исклучување е активирана.

3. По истекот на избраното време, уредот ќе се исклучи и ќе премине во состојба на чување.

КОПЧЕ FUNCTION (5)

Служи за промена на начинот на работа на уредот:

- PHON (начин play на грамофонот)
- AUX (начин за користење на надворешен уред)
- TUNE начин на користење на радио FM
- MP3 (начин за читање од USB меморија или од SD карта)

СПЛУШАЊЕ РАДИО

1. Вклучи го уредот со копчето ON/OFF (17, 27) и внеси го начинот на работа на радиото со копчето FUNCTION (5).

2. Со помош на копчето BAND (11) избери ја брановата должина AM или FM.

3. Со помош на копчињата SKIP DOWN (12, 39) и SKIP UP (13, 40) подеси ја посакуваната радиска фреквенција. Притискање и придржување на околу 1-2 секунди на тие копчиња активира автоматско барање на следната фреквенција. По нејзиното наоѓање, пребарувањето ќе престане.

4. Кога избраната фреквенција е најдена, треба да се притисне копчето MODE/CLOCK (9, 36) за да се запише станицата.

5. Повторувај ги чекорите 3-4 за да ги програмираш следните станици (макс. 30 програми - FM, макс. 20 програми - AM).

6. Користејќи ги копчињата PRESET DOWN (15) и PRESET UP (16) можеш да ги избераш запишаните станици.

7. Вртејќи го тркалото за регулација на гласноста (17) или користејќи ги копчињата (40) на управувачот, може да се подесува интензитетот на звукот.

8. Антената FM (24) сместена е во задниот панел. Доколку сигналот е слаб, пробај да ја пренесеш антената и да најдеш место каде сигналот е најјак.

Антената AM сместена е во средината на радио приемникот. Ако сигналот е слаб, пробај да го пренесеш приемникот на друго место, да го свртиш во друга насока, за да се фати најмоќниот сигнал.

9. Копчето TUNER SCAN (10) служи за автоматско пребарување и запишување на достапните радиски станици.

ОТВАРАЊЕ НА MP3 ФОЛДЕРИ ОД USB/SD MEMORIJA

ВНИМАНИЕ: Уредот може да не биде компатибилен со сите фолдери, поради разликите во кодирањето. Уредот може да не соработува со некои USB/SD мемории. Уредот отвора USB мемории и SD карти до 8GB.

1. Вклучи го отварачот со вклучувачот ON/OFF (17, 27). Смести ја USB меморијата или SD картата во гнездото (USB гнездо - 42, SD гнездо - 30).

2. Избери начин на работа со копчето FUNCTION (5, 35).

3. Уредот ќе ја отвори меморијата и ќе ја покаже бројката на запишани композиции. Потоа уредот ќе започне со отварање на првата композиција.

4. Со помош на копчето PLAY/PAUSE (10, 37) може да се стопира и повторно отвора композицијата.

5. Со помош на копчињата SKIP DOWN (12, 39) и SKIP UP (13, 40) може да си бира отварање на претходните или следните композиции. Притискањето и придржувањето на тие копчиња додека течи композицијата, ќе предизвика нејзино префрлање напред или назад.

6. Со помош на копчињата ALBUM DOWN (15, 28) и ALBUM UP (16, 29) може да се премине кон отварање на претходниот или следниот албум од каталогот со композиции.

7. Еднократно притискање на копчето MODE/CLOCK (9, 36) додека композицијата тече, значи нејзино постојано повторување. Следното притискање на копчето MODE/CLOCK (9, 36) предизвикува повторување на целата содржина од USB меморијата/SD картата.

8. Вадењето на USB меморијата/ SD картата од гнездото треба да се изврши со претходно исклучување на радиото или префрлање на радио, отварање на грамоински плочи ("PHON") или надворешни уреди ("AUX").

КОРИСТЕЊЕ НА УРЕДОТ ПРИКЛУЧЕН ПРЕКУ УНИВЕРЗАЛНО ИЗЛЕЗНО ГНЕЗДО AUX IN:

1. Поврзи го надворешниот уред до отварањето преку гнездото AUX IN (14).

2. Префрли го отварањето на начин за користење AUX IN притискајќи го копчето FUNCTION (5).

Вие можете да репродуцирате музички датотеки зачувани на мобилен телефон опремен со Bluetooth, за репродукција на радио штекерот.

1. Вклучете го уредот, притиснете го копчето "FUNCTION" за да изберете Bluetooth режим. .

2. Активирајте ја Bluetooth-поврзувањето на уредот за репродукција на медиуми. Уредот за репродукција на медиуми сега ќе пребарува за уреди на кои може поврзи се.

3. Уредот за репродукција на медиуми сега треба да го прима кодот на уредот CR 1168

4. Користете го уредот за репродукција на медиуми за да се поврзете со радиото. За да го направите ова, одберете CR 1168 на уредот за репродукција на медиуми.

ОТВАРАЊЕ НА ВИНИЛСКИ ПЛОЧИ

Пред првата употреба на грамофонот, извади ја заштитата на грамофонската игла (23) и одврзи го чворот кој ја заштитува грамофонската рамка, која се наоѓа при блокадата на грамофонското раме (20).

1. Ослободи ја блокадата на рамето (20) и во уредот внеси начин PHON со помош на копчето FUNCTION (5, 35).

2. Смести ја плочата на грамофонската чинија. Доколу е потребно, користи адаптер (18).

3. Избери ја брзината на вртежи на чинијата (брзината на отварање зависи од видот на плочата) со помош на префрлувачот (21).

4. Со помош на лостот (19) крени го грамофонското раме, што предизвикува вртење на грамофонската чинија. Нежно префрли го рамето на композицијата која сакаш да ја слушаш. Пушти го рамето со игла со помош на лостот (19).

5. Вртејќи го тркалцето за регулација на гласноста (17) или користејќи ги копчињата (40) на управувачот, можеш да го подесуваш интензитетот на звукот.

6. За да се престане со отварањето на плочата, крени го грамофонското раме со помош на лостот (19).

7. По завршеното отварање на плочата, крени го рамето со помош на грамофонскиот лост (19). Префрли го рамето над блокадата (20) и пушти го со помош на лостот (19).

8. За да ја вклучиш или исклучиш функцијата AUTO-STOP користи го префрлувачот AUTO-STOP (32).

СНИМАЊЕ НА USB ДИСК/ SD КАРТА

1. Снимање од радио – смести го USB-дискот/ SD картата во соодветното гнездо (42 или 30). Притисни го копчето FUNCTION (5, 35) за да избереш начин на радио. Со помош на копчето BAND (11) избери ја брановата должина AM или FM. Со помош на копчињата SKIP DOWN (12, 39) и SKIP UP (13, 40) подеси ја избраната радиска фреквенција. Притисни го копчето REC/DEL (8, 33). Уредот за неколку секунди ќе ги прочита достапните мемориски носачи USB/SD. Со помош на копчињата SKIP DOWN (12, 39) и SKIP UP (13, 40) избери дали сакаш да снимаш на USB меморијата или на SD картата. Потврди со повторно притискање на REC/DEL (8, 33). Уредот по неколку секунди ќе почне да снима на избраната преносна меморија (Доколку поврзана е само USB меморијата или SD картата, првото притискање на копчето REC/DEL ќе го активира снимањето после неколку секунди). За време на снимањето знакот REC ќе трепка. За да се стопира снимањето притисни го копчето STOP/BAND (11, 38).

ВНИМАНИЕ: Активирањето на процесот на снимање од радио настапува со закаснување од неколку секунди. Може да се појавуваат интерференции/шумови за време на снимањето од радио.

2. Снимање од винилска плоча - смести го USB-дискот/ SD картата во соодветното гнездо (42 или 30). Притисни го копчето FUNCTION (5, 35) за да избереш начин "PHON". Смести ја плочата на чинијата и почни да ја отвараш композицијата која сакаш да ја снимаш со ставање на рамето на соодветното место. Понатамошните чекори се идентични, како при снимањето од радио.

3. Снимање од надворешен уред (начин AUX) - смести го USB-дискот/ SD картата во соодветното гнездо (42 или 30). Притисни го копчето FUNCTION (5, 35) за да избереш начин "AUX". Поврзи го надворешниот извор до гнездото AUX IN (14) и избери ја композицијата од надворешниот уред, која сакаш да ја снимаш. Понатамошните чекори се идентични, како при снимањето од радио.

БРИШЕЊЕ НА КОМПОЗИЦИИ ОД USB ДИСКОТ/ SD КАРТАТА

Бришење на поединично снимање - смести го USB-дискот/ SD картата во соодветното гнездо (42 или 30). Избери ја композицијата која сакаш да ја избришеш со помош на копчињата SKIP DOWN (12, 39) и SKIP UP (13, 40) и почни да ја отвараш. Притисни го и придржи го ок. 3 секунди копчето REC/DEL (8, 33).

ЧИСТЕЊЕ И КОНЗЕРВАЦИЈА

1. Исклучи го уредот од струја.

2. Уредот може да се брише само со сува крпа.

3. Уредот треба да се чува во сува просторија.

ВНИМАНИЕ: Да не се користи вода при чистењето, тоа може да го оштети уредот.

ТЕХНИЧКИ ПОДАТОЦИ:

Напон: 230V ~50Hz

Излезна RMS моќ: 2x 1,5W



За да се заштитат вашата околина: ве молиме одделни кутии и пластични кеси и да располага со нив во соодветните канти за отпадоци. Користи апаратот треба да биде предаден на посветен собирање поени поради hazardous компоненти, кои можат да влијаат на животната средина. Не фрлајте овој апарат во заедничката корпа за отпадоци.

ΓΕΝΙΚΟΙ ΚΑΝΟΝΕΣ ΑΣΦΑΛΕΙΑΣ

1. Πριν από τη χρήση της συσκευής πρέπει να διαβάσετε τις οδηγίες χρήσεως και να τις ακολουθήσετε. Ο παραγωγός δεν ευθύνεται για ενδεχόμενες ζημιές που οφείλονται σε μη ενδεδειγμένη χρήση ή σε λάθος χειρισμό της συσκευής.
2. Η συσκευή προορίζεται για οικιακή χρήση. Απαγορεύεται η χρήση της για άλλους σκοπούς, για τους οποίους δεν προορίζεται.
3. Η συσκευή πρέπει να συνδεθεί μόνο με πρίζα 230 V ~ 50 Hz. Για την μεγαλύτερη ασφάλειά σας δεν πρέπει να συνδέετε στον ίδιο κύκλωμα ρεύματος πολλές ηλεκτρικές συσκευές.
4. Πρέπει να προσέχετε ιδιαίτερος κατά τη διάρκεια χρήσης της συσκευής όταν δίπλα βρίσκονται παιδιά. Δεν επιτρέπεται τα παιδιά να παίζουν με τη συσκευή. Δεν επιτρέπεται η χρήση της συσκευής από παιδιά ή άτομα που δεν έχουν ενημερωθεί σχετικά με το χειρισμό της.
5. Η συσκευή δεν προορίζεται για χρήση από άτομα (συμπεριλαμβανομένων των παιδιών) με περιορισμένες ικανότητες κινητικές, αισθητικές και νοητικές είτε από άτομα που δεν έχουν εμπειρία ή δεν έχουν ενημερωθεί σχετικά με το χειρισμό της συσκευής, εκτός αν γίνεται αυτό υπό την εποπτεία ατόμου υπεύθυνου για την ασφάλεια τους και σύμφωνα με τις οδηγίες χρήσεως.
6. Πάντα μετά τη χρήση αποσυνδέστε το ρευματολήπτη από το δίκτυο παροχής ρεύματος, κρατώντας την πρίζα. ΜΗΝ τραβήξετε το καλώδιο σύνδεσης.
7. Μην βάζετε το καλώδιο, το ρευματολήπτη και ολόκληρη τη συσκευή στο νερό ή άλλο υγρό. Προστατεύετε τη συσκευή από δυσμενείς καιρικές συνθήκες (βροχή, ήλιο, κ.ά.). Μην τη χρησιμοποιείτε σε συνθήκες αυξημένης υγρασίας (μπάνιο, κάμπινγκ).
8. Τακτικά πρέπει να ελέγχετε την κατάσταση του καλωδίου τροφοδοσίας. Εάν το καλώδιο τροφοδοσίας υποστεί ζημιά, πρέπει να αντικατασταθεί με ειδικό καλώδιο από την ειδική υπηρεσία εξυπηρέτησης πελατών για να αποφευχθεί κάθε κίνδυνος.
9. Μην χρησιμοποιείτε ποτέ τη συσκευή με ελαττωματικό καλώδιο τροφοδοσίας είτε με καλώδιο που έχει πέσει ή έχει υποστεί οποιαδήποτε άλλη ζημιά είτε δεν λειτουργεί σωστά. Μην επισκευάζετε τη συσκευή μόνοι σας, υπάρχει κίνδυνος ηλεκτροπληξίας. Την ελαττωματική συσκευή πρέπει να την ελέγξει ή να την επισκευάσει η κατάλληλη υπηρεσία εξυπηρέτησης πελατών. Οι επισκευές μπορούν να γίνονται μόνο από εξουσιοδοτημένες υπηρεσίες εξυπηρέτησης πελατών. Η λανθασμένη επισκευή μπορεί να προκαλέσει σοβαρό κίνδυνο για τους χρήστες.
10. "Η συσκευή πρέπει να τοποθετηθεί σε κρύα σταθερή και επίπεδη επιφάνεια, μακριά από εστίες ζέστης όπως ηλεκτρική κουζίνα, μπρίκι, κ.ά."
11. Μην χρησιμοποιείτε ποτέ τη συσκευή πλάι σε εύφλεκτα υλικά.
12. Το καλώδιο τροφοδοσίας δεν μπορεί να κρέμεται από το τραπέζι ή να αγγίζει καυτές επιφάνειες.
13. Μην αφήνετε τη συσκευή συνδεδεμένη με το δίκτυο παροχής ρεύματος χωρίς επίβλεψη.
14. Με σκοπό να διασφαλίσετε πρόσθετη προστασία προτείνεται να εγκαταστήσετε μέσα στο ηλεκτρικό κύκλωμα τη διάταξη προστασίας ρεύματος διαρροής (RCD) με το ονομαστικό ρεύμα που δεν υπερβαίνει 30 mA. Με σκοπό να το κάνετε πρέπει να καλέσετε τον ειδικό ηλεκτρικό.
15. Μην επιτρέψετε να βραχεί το ραδιόφωνο.
16. Μπορείτε να σκουπίσετε το ραδιόφωνο με ένα στεγνό πανί. Μην χρησιμοποιείτε νερό ή υγρά καθαρισμού.
17. Για να εξασφαλιστεί η εξοικονόμηση ενέργειας της συσκευής, αν αυτή δεν καταχωρήσει κάποιο σήμα από το Γραμμόφωνο / AUX IN για 10 λεπτά, θα μεταβεί αυτόματα σε κατάσταση αναμονής (Standby).
18. Το ραδιόφωνο θα πρέπει να φυλάσσεται σε στεγνό χώρο.

ΠΕΡΙΓΡΑΦΗ ΣΥΣΚΕΥΗΣ

1.	Καπάκι του γραμμοφώνου	23.	Προστατευτικό κάλυμμα της βελόνας του γραμμοφώνου
2.	Οθόνη LCD	24.	Υποδοχή LINE OUT
3.	Φωτάκι τροφοδοσίας	25.	Καλώδιο Κεραίας FM
3.	Ενσωματωμένο Ηχείο	26.	Καλώδιο τροφοδοσίας
5.	Κουμπί FUNCTION	27.	Κουμπί STANDBY
6.	Κουμπί SLEEP/TIMER	28.	Κουμπί PRESET/ALBUM DN
7.	Είσοδος ακουστικών	29.	Κουμπί PRESET/ALBUM UP
8.	Κουμπί REC/DEL	30.	Υποδοχή κάρτας SD
9.	Κουμπί MODE/CLOCK	31.	Κουμπί MUTE
11.	Κουμπί STOP/BAND	33.	Κουμπί REC/DEL
12.	Κουμπί SKIP DOWN	34.	Κουμπί FM ST.
13.	Κουμπί SKIP UP	35.	Κουμπί FUNCTION
14.	Είσοδος AUX	36.	Κουμπί MODE/CLOCK
15.	Κουμπί ALBUM/PRESET DOWN	37.	Κουμπί PLAY/PAUSE
16.	Κουμπί ALBUM/PRESET UP	38.	Κουμπί STOP/BAND
17.	Διακόπτης ON/OFF/ρύθμιση έντασης	39.	Κουμπί SKIP DOWN
18.	Προσαρμογέας δίσκων 45 στροφών	40.	Κουμπί SKIP UP
19.	Ο μοχλός του γραμμοφώνου	41.	Κουμπί VOLUME UP/DOWN
20.	Κλειδίωμα βραχίονα γραμμοφώνου	42.	Θύρα USB
21.	Ρύθμιση ταχύτητας περιστροφής		
22.	Βραχίονας γραμμοφώνου		

ΡΥΘΜΙΣΗ ΤΟΥ ΡΟΛΟΓΙΟΥ

Πριν από την πρώτη χρήση, αποσυσκευάστε τα πάντα και αφαιρέστε όλα τα προστατευτικά υλικά. Επεκτείνετε το καλώδιο της κεραίας FM και το καλώδιο τροφοδοσίας. Μην καλύπτετε τις σπές εξερισμού, βεβαιωθείτε ότι γύρω από το ραδιόφωνο υπάρχουν λίγα εκατοστά χώρου που είναι απαραίτητα για τον σωστό εξερισμό της συσκευής.

1. Στην κατάσταση αναμονής, πατήστε και κρατήστε πατημένο το κουμπί MODE / CLOCK (9, 36). Στην οθόνη (2) θα αρχίσει να αναβοσβήνει η ένδειξη «12H / 24H». Χρησιμοποιώντας τα κουμπιά SKIP DOWN (12, 39) και SKIP UP (13, 40) επιλέξετε τον τρόπο λειτουργίας 12 ωρών ή 24 ωρών και επιβεβαιώστε ξανά πατώντας το κουμπί MODE / CLOCK (9, 36). Η μονάδα θα εισέλθει στην κατάσταση επεξεργασίας της ώρας.
2. Χρησιμοποιώντας τα κουμπιά SKIP DOWN (12, 39) και SKIP UP (13, 40) ρυθμίστε την τρέχουσα ώρα και επιβεβαιώστε πατώντας MODE / CLOCK (9, 36). Η μονάδα θα εισέλθει στην κατάσταση επεξεργασίας λεπτών.
3. Χρησιμοποιώντας τα κουμπιά SKIP DOWN (12, 39) και SKIP UP (13, 40) ρυθμίστε το τρέχον λεπτό και επιβεβαιώστε πατώντας το κουμπί MODE / CLOCK (9, 36).

ΛΕΙΤΟΥΡΓΙΑ ΧΡΟΝΟΔΙΑΚΟΠΤΗ (ΑΥΤΟΜΑΤΗ ΑΠΕΝΕΡΓΟΠΟΙΗΣΗ)

1. Όταν η συσκευή είναι ενεργοποιημένη, πατήστε επανειλημμένα SLEEP / TIMER (6, 30) όσες φορές χρειάζεται για να επιλέξετε το χρονικό διάστημα μετά το οποίο η συσκευή θα τεθεί εκτός λειτουργίας (90, 80, 70 ... 10 λεπτά).
2. Η επιγραφή «SLEEP» στην οθόνη υποδεικνύει ότι η λειτουργία αυτόματης απενεργοποίησης είναι ενεργοποιημένη.
3. Μετά την πάροδο της επιλεγμένης ώρας η συσκευή απενεργοποιείται και μεταβαίνει σε κατάσταση αναμονής.

Κουμπί FUNCTION (5)

Χρησιμοποιείται για να αλλάξει τον τρόπο λειτουργίας της συσκευής

- PHON (λειτουργία αναπαραγωγής γραμμοφώνου)
- AUX (τρόπος λειτουργίας εξωτερικής συσκευής)
- Λειτουργία λήψης ραδιοφώνου AM / FM
- MP3 (λειτουργία ανάγνωσης μνήμης USB ή λειτουργία ανάγνωσης καρτών SD)

ΑΚΡΟΑΣΗ ΡΑΔΙΟΦΩΝΟΥ

1. Ενεργοποιήστε τη συσκευή με το πλήκτρο ON / OFF (17, 27) και ορίστε τον τρόπο λήψης του ραδιοφώνου με το κουμπί FUNCTION (5).
 2. Χρησιμοποιήστε το κουμπί BAND (11) για να επιλέξετε μήκος κύματος AM ή FM.
 3. Χρησιμοποιήστε τα κουμπιά SKIP DOWN (12, 39) και SKIP UP (13, 40) για να συντονιστείτε σε μια ραδιοφωνική συχνότητα που θέλετε. Πατήστε και κρατήστε πατημένα για περίπου 1-2 δευτερόλεπτα τα κουμπιά και θα πραγματοποιηθεί αυτόματη αναζήτηση της πιο κοινής συχνότητας. Όταν αυτή εντοπιστεί η αναζήτηση θα σταματήσει.
 4. Όταν βρεθεί η συχνότητα που επιλεγμένου σταθμού, πατήστε MODE / CLOCK (9, 36) για να αποθηκεύσετε το σταθμό.
 5. Επαναλάβετε τα βήματα 3-4 για να προγραμματίσετε τους σταθμούς (max 30 σταθμοί - FM, max 20 σταθμοί - AM).
 6. Πατώντας PRESET DOWN (15) και PRESET UP (16), μπορείτε να επιλέξετε ανάμεσα στους προκαθορισμένους σταθμούς.
 7. Με την περιστροφή του ρυθμιστή της έντασης ήχου (17) ή χρησιμοποιώντας τα κουμπιά (40) στο τηλεχειριστήριο, μπορείτε να ρυθμίσετε την ένταση του ήχου.
 8. Η Κεραία FM (24) βρίσκεται στο πίσω πάνελ. Εάν η λήψη του σήματος είναι αδύναμη, δοκιμάστε να μετακινήσετε την κεραία και να βρείτε ένα μέρος όπου το σήμα είναι ισχυρότερο.
- Η κεραία AM είναι τοποθετημένη στο μέσο του δέκτη ραδιοφώνου. Εάν η λήψη του σήματος είναι αδύναμη, δοκιμάστε να μετακινήσετε το δέκτη σε άλλη θέση, γυρίστε τον προς την άλλη κατεύθυνση για να πιάσει το ισχυρότερο σήμα.
9. Το πλήκτρο TUNER SCAN (10) χρησιμοποιείται για την αυτόματη αναζήτηση και αποθήκευση των διαθέσιμων ραδιοφωνικών σταθμών.

ΑΝΑΠΑΡΑΓΩΓΗ ΔΙΣΚΩΝ MP3 ΜΕΣΩ ΜΝΗΜΗΣ USB/ ΚΑΡΤΑΣ CD

ΣΗΜΕΙΩΣΗ: Η μονάδα μπορεί να μην είναι συμβατή με όλα τα αρχεία λόγω διαφορών στη κωδικοποίηση. Η συσκευή μπορεί να μη λειτουργεί με ορισμένες συσκευές αποθήκευσης USB / κάρτες SD. Η συσκευή υποστηρίζει κάρτες μνήμης USB και κάρτες SD έως 8GB.

1. Ενεργοποιήστε τη συσκευή αναπαραγωγής με το διακόπτη ON / OFF (17, 27). Τοποθετήστε τη μνήμη USB ή SD στην υποδοχή μνήμης (υποδοχή USB - 42, υποδοχή SD - 30).
2. Επιλέξτε τον τρόπο λειτουργίας πατώντας το κουμπί FUNCTION (5, 35).
3. Η συσκευή διαβάει τη μνήμη και στην οθόνη εμφανίζεται ο αριθμός των εγγεγραμμένων κομματιών. Στη συνέχεια, η συσκευή θα αρχίσει να παίζει το πρώτο τραγούδι.
4. Πατώντας το κουμπί PLAY / PAUSE (10, 37), μπορείτε να κάνετε παύση και επαναλάβετε την αναπαραγωγή ενός τραγουδιού.
5. Χρησιμοποιώντας τα κουμπιά SKIP DOWN (12, 39) και SKIP UP (13, 40) μπορείτε να επιλέξετε να παίζετε είτε το προηγούμενο ή το επόμενο κομμάτι. Πατώντας και κρατώντας αυτά τα κουμπιά ενώ παίζει το κομμάτι, αυτό θα πάει προς τα πίσω ή προς τα εμπρός.
6. Πατώντας το κουμπί ALBUM DOWN (15, 28) και το ALBUM UP (16, 29), μπορείτε να αναπαράγετε τον προηγούμενο ή τον επόμενο κατάλογο με τα τραγούδια.
7. Κατά την αναπαραγωγή ενός τραγουδιού, πατήστε μία φορά το κουμπί MODE / CLOCK (9, 36) για να ενεργοποιήσετε την επανάληψη ενός τραγουδιού. Πατώντας το MODE / CLOCK (9, 36) θα επαναληφθεί το σύνολο του περιεχομένου της συσκευής μνήμης USB / κάρτας SD.
8. Η αφαίρεση της μνήμης USB / κάρτας SD από την υποδοχή θα πρέπει να πραγματοποιείται μετά την απενεργοποίηση του ραδιοφώνου, ή τη μεταπήδηση στη λήψη ραδιοφώνου, την αναπαραγωγή δίσκων γραμμοφώνου («PHON») ή μια εξωτερική συσκευή («AUX»).

ΧΡΗΣΗ ΤΗΣ ΣΥΣΚΕΥΗΣ ΠΟΥ ΣΥΝΔΕΕΤΑΙ ΣΤΗΝ ΥΠΟΔΟΧΗ ΤΗΣ ΓΕΝΙΚΗΣ ΕΙΣΟΔΟΥ AUX IN:

1. Συνδέστε την εξωτερική συσκευή στη συσκευή αναπαραγωγής μέσω της εισόδου AUX IN (14).
2. Μεταβείτε στον τρόπο λειτουργίας AUX IN πατώντας το κουμπί FUNCTION (5).

Μπορείτε να αναπαραγάγετε αρχεία μουσικής που είναι αποθηκευμένα σε κινητό τηλέφωνο εξοπλισμένο με Bluetooth, για αναπαραγωγή στο ραδιόφωνο.

1. Ενεργοποιήστε τη συσκευή, πατήστε το πλήκτρο "FUNCTION" για να επιλέξετε τη λειτουργία Bluetooth.
2. Ενεργοποιήστε τη σύνδεση Bluetooth της συσκευής αναπαραγωγής πολυμέσων. Η συσκευή αναπαραγωγής πολυμέσων θα αναζητήσει τώρα συσκευές στις οποίες μπορεί συνδew-σώδεσμαι.
3. Η συσκευή αναπαραγωγής πολυμέσων θα πρέπει τώρα να λαμβάνει τον κωδικό της συσκευής CR 1168
4. Χρησιμοποιήστε τη συσκευή αναπαραγωγής πολυμέσων για να συνδεθείτε στο ραδιόφωνο. Για να το κάνετε αυτό, επιλέξτε CR 1168 στη συσκευή αναπαραγωγής πολυμέσων.

ΑΝΑΠΑΡΑΓΩΓΗ ΔΙΣΚΩΝ BINARY

Πριν από την πρώτη χρήση του γραμμοφώνου, αφαιρέστε το κάλυμα από τη βελόνα του γραμμοφώνου (23) και λύστε τη δέσμη του κλειδώματος ασφαλείας του βραχίονα που βρίσκεται στο βραχίονα της κεφαλής (20).

1. Απελευθερώστε το βραχίονα ασφαλίσης (20) και ρυθμίστε το μηχανήμα στη λειτουργία PHON χρησιμοποιώντας το κουμπί FUNCTION (5, 35).
2. Τοποθετήστε το δίσκο στην περιστρεφόμενη πλάκα του γραμμοφώνου. Εάν είναι απαραίτητο, χρησιμοποιήστε έναν προσαρμογέα (18).
3. Επιλέξτε την ταχύτητα της περιστρεφόμενης πλάκας (η ταχύτητα αναπαραγωγής εξαρτάται από τον τύπο του δίσκου) χρησιμοποιώντας τα διακόπτη (21).
4. Χρησιμοποιήστε το μοχλό (19) για να ανασηκώσετε το βραχίονα του γραμμοφώνου, έτσι θα ξεκινήσει η περιστροφή της πλάκας του γραμμοφώνου. Μετακινήστε απαλά το βραχίονα πάνω στο τραγούδι που επιθυμείτε να ακούσετε. Ελευθερώστε το βραχίονα της βελόνας μέσω του μοχλού (19).
5. Με την περιστροφή του ρυθμιστή της έντασης ήχου (17) ή χρησιμοποιώντας τα κουμπιά (40) στο τηλεχειριστήριο, μπορείτε να ρυθμίσετε την ένταση του ήχου.
6. Για να σταματήσετε την αναπαραγωγή, ανασηκώστε το βραχίονα του γραμμοφώνου με το μοχλό (19).
7. Μετά το τέλος της αναπαραγωγής ενός δίσκου, ανασηκώστε το βραχίονα του γραμμοφώνου με το μοχλό (19). Μετακινήστε το βραχίονα στο σύστημα ασφαλίσεως (20) και χαμηλώστε το μοχλό (19).
8. Για να ενεργοποιήσετε ή να απενεργοποιήσετε τη λειτουργία AUTO-STOP χρησιμοποιήστε το διακόπτη AUTO-STOP (32).

ΕΓΓΡΑΦΗ ΣΤΗ ΜΝΗΜΗ USB / ΚΑΡΤΑ SD

1. Εγγραφή από το ραδιόφωνο - βάλτε τη μονάδα USB στη θύρα USB (42 ή 30). Πατήστε το πλήκτρο FUNCTION (5, 35) για να επιλέξετε τον τρόπο ραδιοφωνικής λήψης. Πατήστε BAND (11) για να επιλέξετε το μήκος κύματος AM ή FM. Χρησιμοποιώντας τα κουμπιά/ χρησιμοποιώντας το κομβίο SKIP DOWN (12, 39) και SKIP UP (13, 40) συντονιστείτε στη ραδιοφωνική συχνότητα που θέλετε. Πιέστε το πλήκτρο REC / DEL (8, 33). Η συσκευή μέσα σε λίγα δευτερόλεπτα θα διαβάσει τα διαθέσιμα μέσα αποθήκευσης USB / SD. Χρησιμοποιώντας τα κουμπιά / χρησιμοποιώντας το κομβίο SKIP DOWN (12, 39) ή SKIP UP (13, 40) μπορείτε να επιλέξετε αν έχετε να εγγράψετε σε μια μονάδα USB ή σε μια κάρτα SD. Επιβεβαιώστε ξανά πιέζοντας το πλήκτρο REC / DEL (8 33). Μετά από λίγα δευτερόλεπτα, η συσκευή θα ξεκινήσει την εγγραφή στην επιλεγμένη μνήμη αποθήκευσης (αν είναι μόνο συνδεδεμένη η συσκευή αποθήκευσης USB ή η κάρτα SD μόνο, το πρώτο πάτημα του πλήκτρου REC / DEL ξεκινά την εγγραφή μετά από λίγα δευτερόλεπτα). Κατά τη διάρκεια της εγγραφής το εικονίδιο REC θα αναβσβήνει. Για να σταματήσετε την εγγραφή, πατήστε το STOP / BAND (11, 38).

ΣΗΜΕΙΩΣΗ: Η εκκίνηση της διαδικασίας εγγραφής ραδιοφώνου διαρκεί λίγα δευτερόλεπτα. Ενδέχεται να υπάρχουν παρεμβολές / θόρυβος όταν γίνεται εγγραφή από το ραδιόφωνο.

2. Καταγραφή από βινύλιο - τοποθετήστε τη μονάδα USB / κάρτα SD στην κατάλληλη υποδοχή (42 ή 30). Πατήστε το κουμπί FUNCTION (5, 35) για να επιλέξετε τη λειτουργία « PHON ». Τοποθετήστε ένα δίσκο βινυλίου στην πλάκα και αρχίστε να παίζετε το τραγούδι που θέλετε να καταγράψετε θέτοντας το βραχίονα στην κατάλληλη θέση. Τα περαιτέρω βήματα είναι τα ίδια όπως όταν πραγματοποιείτε εγγραφή από το ραδιόφωνο.
3. Εγγραφή από εξωτερική συσκευή (λειτουργία AUX) - εισάγετε τη μονάδα USB / κάρτα SD στην κατάλληλη υποδοχή (42 ή 30). Πατήστε το κουμπί FUNCTION (5, 35) για να επιλέξετε "AUX". Συνδέστε την εξωτερική συσκευή στην υποδοχή AUX IN (14) και επιλέξτε αναπαραγωγή στην εξωτερική συσκευή από την οποία θέλετε να εγγράψετε. Τα περαιτέρω βήματα είναι τα ίδια όπως όταν πραγματοποιείτε εγγραφή από το ραδιόφωνο.

ΔΙΑΓΡΑΦΗ ΤΡΑΓΟΥΔΙΩΝ ΑΠΟ ΜΙΑ ΜΟΝΑΔΑ USB / ΚΑΡΤΑ SD

Διαγραφή μιάς μόνο εγγραφής - τοποθετήστε τη συσκευή USB / κάρτα SD στην κατάλληλη υποδοχή (42 ή 30). Επιλέξτε το κομμάτι που θέλετε να διαγράψετε με τη βοήθεια του κομματιού SKIP DOWN (12, 39) και SKIP UP (13, 40) και αρχίστε την αναπαραγωγή του κομματιού. Πατήστε και κρατήστε πατημένο για περίπου 3 δευτερόλεπτα το κουμπί REC / DEL (8, 33).

ΚΑΘΑΡΙΣΜΟΣ ΚΑΙ ΣΥΝΤΗΡΗΣΗ

1. Αποσυνδέστε τη συσκευή από το ηλεκτρικό δίκτυο.
 2. Η συσκευή μπορεί να σκουπιστεί μόνο με ένα στεγνό πανί.
 3. Η συσκευή θα πρέπει να φυλάσσεται σε ξηρό μέρος.
- ΣΗΜΕΙΩΣΗ: Μην χρησιμοποιείτε νερό για τον καθαρισμό, μπορεί να προκαλέσει βλάβη στη συσκευή.

ΤΕΧΝΙΚΑ ΧΑΡΑΚΤΗΡΙΣΤΙΚΑ

Τάση τροφοδοσίας: 230V ~ 50Hz
Ισχύς RMS: 2x 1.5W



Προστασία του περιβάλλοντος Η χάρτινη συσκευασία παρακαλούμε να παραδοθεί για ανακύκλωση.

Τις σακούλες από πολυαιθυλένιο να τις πετάτε σε κατάλληλα δοχεία.

Τις παλιές συσκευές πρέπει να αποσύρετε με κατάλληλες διαδικασίες συγκέντρωσης αποβλήτων, διότι επικίνδυνα συστατικά της συσκευής

ČESKY

BEZPEČNOSTNÍ PODMÍNKY. DŮLEŽITÉ POKYNY TÝKAJÍCÍ SE POUŽITÍ A PROVOZU

VÝROBKU. PODMÍNKY SI PROSÍM PŘEČTĚTE POZORNĚ A USCHOVEJTE JE PRO BUDOUCÍ POUŽITÍ.

Záruční podmínky neplatí, pokud je přístroj použit pro komerční účely nebo v rozporu s nvodem. Přístroj je určen pouze pro použití v domácnosti.

1. Před použitím výrobku si pečlivě přečtěte návod a vždy postupujte v souladu s uvedenými pokyny. Výrobce ani distributor není odpovědný za případné škody vzniklé v důsledku neodborné manipulace nebo použití v rozporu s návodem.

2. Výrobek lze použít pouze v interiéru. Nepoužívejte tento výrobek pro jakýkoli účel, pro který není určen.

3. Pro napájení výrobku použijte připojení na napětí 230V ~ 50Hz. Z bezpečnostních důvodů není vhodné pro připojení více zařízení k jedné zásuvce.

4. Prosím, buďte opatrní při používání výrobku jsou-li v blízkosti dětí. Nedovolte dětem hrát si s výrobkem. Nikdy nenechávejte výrobek bez dohledu pohybuji-li se u něj děti nebo lidé, kteří nevědí, jak výrobek používat.

5. UPOZORNĚNÍ: Tento výrobek mohou obsluhovat děti od 8 let věku a osoby se sníženými fyzickými, smyslovými nebo duševními schopnostmi, nebo osoby bez zkušeností a znalostí výrobku pouze pod dohledem osoby odpovědné za jejich bezpečnost a zdraví. Nebo pokud byli poučeni o bezpečném používání výrobku, jsou si vědomi nebezpečí, chápou způsob použití výrobku a jejich smyslové schopnosti jsou dostatečné pro pochopení i bezpečné používání výrobku. Čištění a údržba výrobku nesmí provádět děti. Děti od 8 let mohou čištění provádět pouze pod dohledem dospělé osoby, která je mentálně i fyzicky způsobilá na dítě dohlížet.

6. Po ukončení použití tohoto výrobku jej nejprve vypněte je-li opatřen vypínačem, pak vždy opatrně vytáhněte zástrčku ze zásuvky. Přitom přidržujte zásuvku volnou rukou. Nikdy netahejte pouze za přívodní kabel!

7. Nikdy nenechávejte výrobek připojen ke zdroji napájení bez dozoru. Dokonce i tehdy, je-li přerušena dodávka napětí byť i jen na krátkou dobu.

8. Nikdy nedávejte, neponožte napájecí kabel, zástrčku nebo celý výrobek do vody. Nevystavujte výrobek atmosférickými extrémními podmínkám. Jako je přímé sluneční záření, dešť, sníh apod.. Nikdy nepoužívejte výrobek ve vlhkém prostředí.

9. Nikdy nepoužívejte výrobek s poškozeným síťovým kabelem, nebo pokud výrobek upadl z výšky a předpokládáte, že je poškozen nebo pokud nefunguje správně. Opravu vždy svěřte odbornému autorizovanému servisu, abyste předešli úrazu elektrickým proudem. Poškozený výrobek vždy ihned vypněte. Provedení neodborné opravy může vést k úrazu uživatele a zániku záruky pro postup uživatele v rozporu s bezpečnostními pokyny.

10. Nikdy nepokládejte výrobek na nebo do blízkosti horkých povrchů nebo do kuchyňských spotřebičů, jako jsou elektrické nebo plynové trouby. Nikdy výrobek při provozu nezakrývejte, nic na něj nestavte

11. Nikdy nepoužívejte výrobek v blízkosti hořavin.

12. Nenechávejte kabel viset doů přes okraje podložky na které je výrobek položen.

13. Po ukončení použití tohoto výrobku jej nejprve vypněte je-li opatřen vypínačem, pak vždy opatrně vytáhněte zástrčku ze zásuvky. Přitom přidržujte zásuvku volnou rukou. Nikdy netahejte pouze za přívodní kabel!

14. Pro zajištění dodatečné ochrany je vhodné nainstalovat v elektrickém obvodu proudový chránič (RCD) o jmenovitém proudu nepřekračujícím 30 mA. V tomto ohledu se, prosím, obraťte na kvalifikovaného elektrikáře.

15. Nedopouštějte do kontaktu rádio přehrávače s vodou.

16. Rádio přehrávač můžete utírat pouze suchým hadříkem. Nepoužívejte vodu ani čisticí prostředky.

17. Z důvodu úspory elektrické energie se v situaci, kdy není během 10 minut registrován žádný signál z gramofonu/výstupu AUX IN, zařízení automaticky přepne do režimu Standby.

18. Rádio přehrávač uchovávejte na suchém místě.

POPIS ZAŘÍZENÍ

1.	Poklop gramofonu	23.	Kryt gramofonové jehly
2.	LCD displej	24.	Výstup LINE OUT
3.	Napájecí dioda	25.	Kabel FM antény
4.	Vestavěný reproduktor	26.	Napájecí kabel
5.	Tlačítko FUNCTION	27.	Tlačítko STANDBY
6.	Tlačítko SLEEP/TIMER	28.	Tlačítko PRESET/ALBUM DN
7.	Vstup na sluchátka	29.	Tlačítko PRESET/ALBUM UP
8.	Tlačítko REC/DEL	30.	Výstup na karty SD
9.	Tlačítko MODE/CLOCK	31.	Tlačítko MUTE
10.	Tlačítko PLAY/PAUSE/TUNER SCAN	32.	32. Přepínač AUTO-STOP
11.	Tlačítko STOP/BAND	33.	Tlačítko REC/DEL
12.	Tlačítko SKIP DOWN	34.	Tlačítko FM ST.
13.	Tlačítko SKIP UP	35.	Tlačítko FUNCTION
14.	Výstup AUX	36.	Tlačítko MODE/CLOCK
15.	Tlačítko ALBUM/PRESET DOWN	37.	Tlačítko PLAY/PAUSE
16.	Tlačítko ALBUM/PRESET UP	38.	Tlačítko STOP/BAND
17.	Spínač ON/OFF/regulace hlasitosti	39.	Tlačítko SKIP DOWN
18.	Adaptér desek 45RPM	40.	Tlačítko SKIP UP
19.	Páčka gramofonu	41.	Tlačítka VOLUME UP/DOWN
20.	Zámek gramofonové přenosky	42.	Výstup USB
21.	Přepínač tlalife gramofonu		
22.	Přenoska gramofonu		

NASTAVENÍ HODIN

Před prvním použitím zařízení nejříve vybalte a odstraňte veškeré zabezpečující prvky. Rozmotejte kabel FM antény a napájecí kabel. Nezakrývejte ventilační otvory, ujistěte se, že kolem gramofonu je pár centimetrů volného prostoru, aby byla zajištěna správná ventilace.

1. V běžném režimu stiskněte a podržte tlačítko MODE/CLOCK (9, 36). Na displeji (2) začne blikat nápis "12H/24H". Pomocí tlačítek SKIP DOWN (12, 39) a SKIP UP (13, 40) vyberte 12-hodinový nebo 24-hodinový režim a výběr potvrďte opětovným stisknutím tlačítka MODE/CLOCK (9, 36). Zařízení přejde do režimu nastavení celých hodin.
2. Pomocí tlačítek SKIP DOWN (12, 39) a SKIP UP (13, 40) nastavte aktuální hodinu a výběr potvrďte opětovným stisknutím tlačítka MODE/CLOCK (9, 36). Zařízení přejde do režimu nastavení minut.
3. Pomocí tlačítek SKIP DOWN (12, 39) a SKIP UP (13, 40) nastavte aktuální minuty a výběr potvrďte opětovným stisknutím tlačítka MODE/CLOCK (9, 36).

FUNKCE TIMERU (AUTOMATICKÉ VYPNUTÍ)

1. Když je zařízení zapnuté, v požadovaném postu stiskněte tlačítko SLEEP/TIMER (6) a vyberte čas, po kterém se má zařízení vypnout (90, 80, 70... 10 minut).
2. Nápis "SLEEP" na displeji informuje, že funkce automatického vypnutí je aktivní.
3. Po uplynutí nastaveného času se zařízení automaticky vypne a přejde do "spacicho" režimu.

Tlačítko FUNCTION (5)

Slouží ke změně pracovního režimu:

- PHON (režim play gramofonu)
- AUX (režim pro práci s vnějším zařízením)
- režim pro poslech rádia FM
- MP3 (režim načtení USB paměti nebo režim načtení SD karty)

POSLECH RÁDIA

1. Pomocí tlačítka ON/OFF (17, 27) zařízení zapnete a tlačítkem FUNCTION (5) nastavte režim pro poslech rádia.
2. Pomocí tlačítka BAND (11) nastavte délku vln AM nebo FM.
3. Pomocí tlačítek SKIP DOWN (12, 39) a SKIP UP (13, 40) naladíte požadovanou frekvenci. Tato tlačítka stisknete a podržte po dobu 1-2 sekund, než dojde k automatickému vyhledání nejbližší frekvence. Po jejím nalezení se vyhledávání zastaví.
4. Když je frekvence rozhlasové stanice nalezena, stiskněte tlačítko MODE/CLOCK (9, 36) a uložte ji.
5. Postup uvedený v bodech 3-4 opakujte tak dlouho, dokud neuložíte všechny vybrané rozhlasové stanice (max 30 programů – FM, max 20 programů – AM).
6. Pomocí tlačítek PRESET DOWN (15) a PRESET UP (16) můžete pak vybrat požadovaný nastavený program se stanicí.
7. Pomocí otočného tlačítka pro regulaci hlasitosti (17) nebo pomocí tlačítek (40) na dálkovém ovládacím můžete nastavit hlasitost zvuku.
8. Anténa FM (24) se nachází na zadním panelu. Pokud je příjem signálu příliš slabý, zkuste anténu přenést na jiné místo, ve kterém je signál silnější.
- Anténa AM se nachází uvnitř rádiového přijímače. Pokud je příjem signálu příliš slabý, zkuste přijímač přenést na jiné místo nebo ho otočit, aby byl příjem signálu silnější.
9. Tlačítko TUNER SCAN (10) slouží k automatickému vyhledávání a ukládání rozhlasových stanic.

PŘEHŘÁVÁNÍ MP3 SOUBORŮ Z USB/SD PAMĚTI

POZOR: Zařízení s ohledem na rozdílné kódování nemusí být kompatibilní se všemi soubory. Zařízení nemusí být schopné přečíst všechny druhy USB/SD pamětí. Zařízení je kompatibilní s USB pamětí a SD kartou s obsahem do 8 GB.

1. Pomocí tlačítka ON/OFF (17, 27) zařízení zapnete, USB nebo SD paměť umístíte ve zdířce výstupu (výstup USB - 42, výstup SD - 30).
2. Pomocí tlačítka FUNCTION (5, 35) vyberte vhodný pracovní režim.
3. Zařízení načte údaje z paměti a na displeji se zobrazí počet uložených skladeb. Následně zařízení začne přehrávat první skladbu.
4. Pomocí tlačítek PLAY/PAUSE (10, 37) můžete přehrávání sklady přerušit a opětovně spustit.
5. Pomocí tlačítek SKIP DOWN (12, 39) a SKIP UP (13, 40) můžete vybrat přehrávání předcházejících nebo následujících skladeb. Stisknutí a přidržení těchto tlačítek během přehrávání sklady způsobí její přesunutí dopředu nebo dozadu.
6. Pomocí tlačítek ALBUM DOWN (15, 28) a ALBUM UP (16, 29) můžete přejít k přehrávání skladeb z předcházejícího nebo následujícího souboru.
7. Pro opakované přehrávání vybrané sklady stiskněte tlačítko MODE/CLOCK (9, 36) během jejího přehrávání. Opětovné stisknutí tlačítka MODE/CLOCK (9, 36) aktivuje opakované přehrávání celého obsahu USB/SD paměti.
8. Vytažení paměti USB/SD karty je možné pouze ve chvíli, když je zařízení přepnuté na rádiový režim, přehrávání gramofonových desek ("PHON") nebo vnější zařízení ("AUX").

POUŽITÍ ZAŘÍZENÍ S PŘIPOJENÝM UNIVERZÁLNÍM VÝSTUPEM AUX IN:

1. Vnější zařízení připojte k přehrávači pomocí výstupu AUX IN (14).
2. Stisknutím tlačítka FUNCTION (5) přehrávač přepnete do režimu AUX IN.

Můžete přehrávat hudební soubory uložené na mobilním telefoně vybaveném technologií Bluetooth, které lze přehrávat v rádiovém rozhraní.

1. Zapnete přístroj, stisknutím tlačítka „FUNCTION“ vyberte režim Bluetooth.
2. Aktivujte připojení Bluetooth zařízení pro přehrávání médií. Zařízení pro přehrávání médií nyní vyhledá zařízení, ke kterým může připojit.
3. Zařízení pro přehrávání médií by nyní mělo přijímat kód zařízení CR 1168
4. Pro připojení k rádiu použijte zařízení pro přehrávání médií. Chcete-li to provést, vyberte zařízení CR 1168.

PŘEHŘÁVÁNÍ VINYLŮVÝCH DESEK

Před prvním použitím gramofonu sundejte kryt gramofonové jehly (23) a rozmotejte bezpečnostní uzlík gramofonové přenosky, který se nachází u jejího zámku (20).

1. Uvolníte zámek gramofonové přenosky (20) a pomocí tlačítka FUNCTION (5, 35) nastavte zařízení v režimu PHON.
2. LP desku umístíte na talíř gramofonu. Pokud je to nutné, použijte adaptér (18).
3. Pomocí přepínače (21) vyberte rychlost otáček talíře (rychlost přehrávání závisí na druhu LP desky).
4. Pomocí páčky (19) zvednete gramofonovou přenosku, což aktivuje otáčení talíře gramofonu. Přenosku jemně přeneste nad skladbu, kterou chcete přehrát. Pomocí páčky (19) položte jehlu na desce.
5. Pomocí otočného tlačítka pro regulaci hlasitosti (17) nebo pomocí tlačítek (40) na dálkovém ovládacím může nastavit hlasitost zvuku.
6. Pro přerušení přehrávání LP desky zvedněte pomocí páčky (19) gramofonovou přenosku.
7. Po ukončení přehrávání LP desky zvedněte pomocí páčky (19) gramofonovou přenosku. Přenosku přeneste k zámku (20) a položte ji pomocí páčky (19).
8. Pro zapnutí nebo vypnutí funkce AUTO-STOP použijte přepínač AUTO-STOP (32).

NAHRÁVÁNÍ NA USB PAMĚŤ/SD KARTU

1. Nahrávání z rádia – USB paměť/SD kartu umístíte ve vhodném výstupu (42 nebo 30). Stisknete tlačítko FUNCTION (5, 35) a vyberte režim rádiového přijímače. Pomocí tlačítka BAND (11) vyberte délku vln AM nebo FM. Pomocí tlačítek SKIP DOWN (12, 39) a SKIP UP (13, 40) vyberte požadovanou rozhlasovou frekvenci. Stisknete tlačítko REC/DEL (8, 33). Zařízení během několika sekund zdekluje dostupné USB/SD paměti. Pomocí tlačítek SKIP DOWN (12, 39) a SKIP UP (13, 40) vyberte nahrávání na USB paměť nebo SD kartu. Svůj výběr potvrdíte opětovným stisknutím tlačítka REC/DEL (8, 33). Zařízení za několik sekund začne nahrávat na vybraný druh paměti (pokud je dostupná pouze USB paměť nebo pouze SD karta, první stisknutí tlačítka REC/DEL automaticky spustí nahrávání). Během nahrávání ikonka REC bliká. Pro přerušení nahrávání stisknete tlačítko STOP/BAND (11, 38).
- POZOR: K nahrávání z rádia dojde s několikasekundovým zpožděním. Během nahrávání z rádia se mohou vyskytnout šumy/interference.
2. Nahrávání z vinylové desky – USB paměť/SD kartu umístíte ve vhodném výstupu (42 nebo 30). Stisknete tlačítko FUNCTION (5, 35) a vyberte režim "PHON". Desku umístíte na talíř a začnete přehrávat skladbu, kterou chcete nahrát, pomocí jehly položené na správném místě na desce. Další postup je stejný jako v případě nahrávání z rádia.
3. Nahrávání z vnějšího zařízení (režim AUX) – USB paměť/SD kartu umístíte ve vhodném výstupu (42 nebo 30). Stisknete tlačítko FUNCTION (5, 35) a vyberte režim "AUX". Vnější zařízení připojíte k výstupu AUX IN (14) a vyberte na něm skladbu, kterou chcete nahrát. Další postup je stejný jako v případě nahrávání z rádia.

ODSTRANĚNÍ SKLADBY Z USB/SD PAMĚTI

Odstranění jedné skladby – USB paměť/SD kartu umístíte ve vhodném výstupu (42 nebo 30). Pomocí tlačítek SKIP DOWN (12, 39) a SKIP UP (13, 40) vyberte skladbu, kterou chcete odstranit a začnete ji přehrávat. Tlačítko REC/DEL (8, 33) stisknete a přidržte po dobu cca 3 sekund.

ČIŠTĚNÍ A ÚDRŽBA

1. Zařízení odpojte od napájecí sítě.
 2. Zařízení je možné otřít jen suchým hadříkem.
 3. Zařízení by se mělo nacházet na suchém místě.
- POZOR: K čištění nepoužívejte vodu, protože může dojít k poškození zařízení.

TECHNICKÉ ÚDAJE

Napájecí napětí: 230V ~50Hz
Výstupní výkon RMS: 2x 1,5W



Ochrana životního prostředí. Kartón odevzdejte do sběru. Polyetylenové sáčky (PE) vyhazujte do kontejneru na plasty. Vysloužilý přístroj odevzdejte do příslušného sběrného dvoru, protože některé části zařízení mohou představovat pro životní prostředí nebezpečí. Elektrický přístroj odevzdejte tak, aby se omezilo jeho opětovné používání. Pokud jsou v přístroji baterie, vyjměte je a odevzdejte do příslušného sběrného místa zvlášť. Přístroj nevhazujte do popelnice ani kontejneru na směsný odpad!!

NEDERLANDS

VEILIGHEID CONDITIES. BELANGRIJKE INSTRUCTIES VOOR DE VEILIGHEID VAN GEBRUIK. LEES DIT ZORGVULDIG DOOR EN BEWAAR HET VOOR LATER GEBRUIK. De garantievoorwaarden zijn verschillend, als het apparaat wordt gebruikt voor commerciële doeleinden.

1. Voordat u het product gebruikt, lees aandachtig en voldoe altijd aan de volgende instructies. De fabrikant is niet verantwoordelijk voor eventuele schade als gevolg van verkeerd gebruik.
2. Het product is alleen voor binnenshuis gebruik. Gebruik het product niet voor een doel dat niet verenigbaar is met de toepassing ervan.
3. De toepasselijke voltage is 230V, ~ 50Hz. Om veiligheidsredenen is het niet wenselijk om meerdere apparaten aan te sluiten op een stopcontact.
4. Wees voorzichtig bij het gebruik rond kinderen. Laat de kinderen niet spelen met het product. Laat kinderen of mensen die niet weten hoe het apparaat werkt er niet mee bezig zonder toezicht.

5. WAARSCHUWING: Dit apparaat kan worden gebruikt door kinderen vanaf 8 jaar en personen met verminderde lichamelijke, zintuiglijke of geestelijke vermogens, of personen zonder ervaring of kennis van het apparaat alleen onder toezicht van een persoon die verantwoordelijk is voor hun veiligheid, of als ze werden geïnstrueerd over het veilige gebruik van het apparaat en zijn zich bewust van de gevaren in verband met de werking ervan. Kinderen mogen niet met het apparaat spelen. Reiniging en onderhoud van het apparaat mag niet door kinderen worden uitgevoerd, tenzij ze ouder zijn dan 8 jaar en deze activiteiten moeten worden uitgevoerd onder toezicht.
6. Nadat u klaar bent met het product moet u altijd onthouden om de stekker voorzichtig uit het stopcontact te trekken. Trek nooit aan het netsnoer!!
7. Zet nooit het netsnoer, de stekker of het hele apparaat in het water. Nooit het product aan de atmosferische omstandigheden bloot leggen, zoals direct zonlicht of regen, etc. Gebruik het product nooit in vochtige omstandigheden.
8. Controleer regelmatig de staat van de voedingskabel. Als het netsnoer beschadigd is moet het product worden gebracht naar een professionele service locatie en daar behandeld worden om gevaarlijke situaties te voorkomen.
9. Gebruik het product nooit met een beschadigd netsnoer of als het is gevallen of beschadigd op een andere manier of als het niet goed werkt. Probeer niet om het defecte product zelf te repareren, omdat het kan leiden tot een elektrische schok. Breng altijd het beschadigde apparaat naar een professionele service locatie om het te repareren. Alle reparaties kunnen alleen worden uitgevoerd door geautoriseerde service professionals. De reparatie die ten onrechte werd gedaan kan gevaarlijke situaties opleveren voor de gebruiker.
10. Zet het product nooit op of dichtbij hete of warme oppervlakken of keukenapparatuur, zoals de elektrische oven of gasbrander.
11. Gebruik het product nooit in de buurt van brandbare stoffen.
12. Laat het snoer niet hangen over de rand van de balie of ergens waar het warme oppervlakken aanraakt.
13. Laat het product niet aangesloten op het stopcontact zonder toezicht. Zelfs wanneer gebruik wordt onderbroken voor een korte tijd, zet het uit van het netwerk, stekker uit het stopcontact.
14. Om extra bescherming te bieden, is het raadzaam om residu (RCD) te installeren in de stroomkring, met een resterende huidige beoordeling niet meer dan 30 mA. Neem contact op met professionele elektriciens in deze zaak.
15. Zorg dat er geen water bij de radio komt.
16. Veeg de radio alleen af met een droge doek. Gebruik geen water of schoonmaakmiddelen.
17. Om energie te besparen zal als er geen signaal van de draaitafel afkomt / AUX IN gedurende 10 minuten hij zich automatisch in de standby-modus schakelen.
18. Bewaar de radio op een droge plaats.

BESCHRIJVING VAN HET APPARAAT

- | | | | |
|-----|-----------------------------------|-----|-----------------------------|
| 1. | Deksel van de grammofoon | 23. | Grammofoon naaldafscherming |
| 2. | Beeldscherm LCD | 24. | Ingang LINE OUT |
| 3. | Voeding LED | 25. | Antenne kabel FM |
| 4. | Ingebouwde luidspreker | 26. | Voeding kabel |
| 5. | Knop FUNCTION | 27. | Knop STANDBY |
| 6. | Knop SLEEP/TIMER | 28. | Knop PRESET/ALBUM DN |
| 7. | Ingang voor koptelefoon | 29. | Knop PRESET/ALBUM UP |
| 8. | Knop REC/DEL | 30. | Ingang SD kaart |
| 9. | Knop MODE/CLOCK | 31. | Knop MUTE |
| 10. | Knop PLAY/PAUSE/TUNER SCAN | 32. | Schakelaar AUTO-STOP |
| 11. | Knop STOP/BAND | 33. | Knop REC/DEL |
| 12. | knop SKIP DOWN | 34. | Knop FM ST. |
| 13. | Knop SKIP UP | 35. | Knop FUNCTION |
| 14. | Ingang AUX | 36. | Knop MODE/CLOCK |
| 15. | Knop ALBUM/PRESET DOWN | 37. | Knop PLAY/PAUSE |
| 16. | Knop ALBUM/PRESET UP | 38. | Knop STOP/BAND |
| 17. | Schakelaar ON/OFF/geluid regelaar | 39. | Knop SKIP DOWN |

18.	Platen adapter 45RPM
19.	Grammofoon hendel
20.	Blokkade grammofoon hendel
21.	Instellen van de rotatiesnelheid van het plateau
22.	Grammofoon arm

40.	Knop SKIP UP
41.	VOLUME UP/DOWN knoppen
42.	Ingang USB

INSTELLEN VAN DE KLOK

Vóór het eerste gebruik alles uitpakken en verwijder alle beschermende materialen. Vouw de FM-antenne kabel en voedingskabel uit elkaar. Bedek de ventilatieopeningen niet, zorg ervoor dat rond de radio een paar centimeter ruimte is voor een goede ventilatie.

1. Voor de standby-modus aan te zetten houdt u de knop MODE / KLOK (9, 36) vast. Op het beeldscherm (2) knippert "12H / 24H". Met de knop SKIP DOWN (12, 39) en SKIP UP (13, 40) kunt u de modus 12-uur of 24 uur selecteren en bevestig door nogmaals te drukken op MODE / KLOK (9, 36). Het apparaat zal het gekozen ingestelde uur invoeren.
2. Met de knop SKIP DOWN (12, 39) en SKIP UP (13, 40) kunt u het huidige uur in stellen en bevestig door te drukken op de MODE / KLOK (9, 36) knop. Het toestel zal de gekozen minuten invoeren.
3. Met de knop SKIP DOWN (12, 39) en SKIP UP (13, 40) kunt u de huidige minuten in te stellen en bevestig door te drukken op de MODE / KLOK (9, 36) knop.

TIMERFUNCTIE (AUTOMATISCH UITSCHAKELEN)

1. Wanneer het apparaat aan staat, drukt u op de SLEEP / TIMER (6) knop, druk het juist aantal keer om de tijd te selecteren waarna het apparaat wordt uitgeschakeld (90, 80, 70 ... 10 minuten).
2. Het woord "SLEEP" op het beeldscherm geeft aan dat de automatische uitschakelfunctie is geactiveerd.
3. Na de geselecteerde tijd schakelt de wekker zich uit en schakelt hij over naar de stand-by modus.

FUNCTIE KNOP (5)

Gebruik om de werking te veranderen

- PHONE (afspeelmodus draaitafel)
- AUX (extern apparaat modus)
- ontvangst mode AM / FM-radio
- MP3 (leesmodus USB-stick of SD-kaart leesmodus)

LIJSTEREN NAAR DE RADIO

1. Zet het apparaat aan met behulp van de ON/OFF knop (17, 27) en zet op de stand radio met de FUNCTION knop (5).
 2. Door de BAND-knop (11) kunnen de golflengte van de AM of FM geselecteerd worden.
 3. Met de knop SKIP DOWN (12, 39) en SKIP UP (13, 40) kunt u af stemmen bij een gewenste radiofrequentie. Houd gedurende ongeveer 1-2 seconden de knoppen vast om de frequenties automatisch te zoeken. Zodra deze is gevonden stopt het zoeken.
 4. Wanneer de frequentie van de gekozen zender is gevonden, drukt u op MODE / KLOK (9, 36) knop om het station op te slaan.
 5. Herhaal de stappen 3-4 om de stations (maximaal 30 programma's - FM, maximaal 20 programma's - AM) te programmeren.
 6. Gebruik de PRESET DOWN (15) en PRESET UP (16) knop om te kiezen tussen de vooraf ingestelde programma's.
 7. Draaiend aan de volumeknop (17) of met behulp van de knoppen (40) op de afstandsbediening kunt u het volume aan passen.
 8. De fm antenne (24) is aangebracht op het achterpaneel. Als de signaalontvangst zwak is, probeer dan het apparaat te verplaatsen naar een andere plek waar het signaal het sterkst is.
- De AM-antenne is aangebracht in het midden van de radio-ontvanger. Als de signaalontvangst zwak is, probeer dan het apparaat te verplaatsen naar een andere plek of draai het apparaat in een andere richting om het sterkste signaal op te vangen.
9. TUNER / SCAN (10) knop wordt gebruikt om het automatisch op te slaan en te zoeken naar beschikbare radiozenders.

AFSPELEN VAN MP3 USB / SD

LET OP: Het apparaat kan niet compatibel zijn met alle bestanden in verband met verschillen in de codering. Het apparaat werkt mogelijk niet met sommige USB-opslagapparaten / SD-kaart. Het apparaat ondersteunt USB-sticks en SD-kaarten tot 8GB.

1. Zet de speler aan met behulp van de schakelaar ON / OFF (17, 27). Plaats de USB of SD geheugenkaart (USB-aansluiting - 42, SD-ingang - 30).
2. Selecteer de modus door op de FUNCTION (5, 35) knop te drukken.
3. Het apparaat leest het geheugen en het beeldscherm toont het aantal opgenomen tracks. Dan zal het apparaat beginnen te spelen van het eerste nummer.
4. Druk op de PLAY / PAUSE (10, 37) knop voor te pauzeren en te herhalen van het afspele van het nummer.
5. Met de knop SKIP DOWN (12, 39) en SKIP UP (13, 40) kunt u ervoor kiezen om het vorige of volgende nummer af te spelen. Ingedrukt houden van deze knoppen tijdens het afspele van de muziek, zal die vooruit of terug spoelen.
6. Druk op de ALBUM DOWN (15, 28) en ALBUM UP (16, 29) knop om naar de vorige of de volgende map van de nummers te gaan.
7. Tijdens het afspele van een nummer, druk op de knop MODE / KLOK (9, 36) een keer om repeat van één nummer uit te voeren. Als u op de MODE / KLOK (9, 36) knop drukt, wordt de gehele inhoud van de USB/SD kaart herhaalt.
8. Het verwijderen van de USB-stick / SD-kaart moeten worden uitgevoerd nadat de radio uit is geschakeld, of zet de radio op, het spelen van grammofoonplaten ("phone"), of een extern apparaat ("AUX").

GEBRUIK MAKEN VAN HET APPARAAT VERBODEN MET EEN UNIVERSELE INGANG AUX IN:

1. Sluit het externe apparaat aan op de speler via de AUX-IN (14) ingang.
2. Schakel de speler op operatie modus door op de AUX-IN FUNCTION (5) knop te drukken.

U kunt muziekbestanden afspele die zijn opgeslagen op een mobiele telefoon die is uitgerust met Bluetooth, om af te spelen via de wandcontactdoosradio.

1. Schakel het apparaat in en druk op de knop FUNCTION om de Bluetooth-modus te selecteren. .
2. Activeer de Bluetooth-verbinding van het media-afspeelapparaat. Het media-afspeelapparaat zal nu naar apparaten zoeken waar dit mogelijk is aansluiten.
3. Het media-afspeelapparaat zou nu de apparaatcode CR 1168 moeten ontvangen
4. Gebruik het media-afspeelapparaat om verbinding te maken met de radio. Selecteer hiervoor CR 1168 op het media-afspeelapparaat.

OPENEN VAN VINYLPLATEN

Vóór het eerste gebruik van de draaitafel, verwijder de naaldafscherming (23) en haal de knoop uit elkaar die zit bij de blokkade aan toonarm (20).

1. Maak de vergrendeling van de hendel (20) los en stel het apparaat in op de PHONE modus met de FUNCTION knop (5, 35).
2. Plaats de schijf op de draaitafel. Gebruik indien nodig een adapter (18).
3. Selecteer de snelheid van de draaitafel (afspeelsnelheid afhankelijk van het type schijf) met de schakelaar (21).
4. Gebruik de hendel (19) om de toonarm omhoog te tillen, daardoor gaat de draaitafel draaien. Beweeg de arm van het nummer die u wilt beluisteren. Laat de naald voorzichtig zakken (19).
5. Door het draaien van de volumeknop (17) of met behulp van de knoppen (40) op de afstandsbediening, kunt u het volume instellen.
6. Om het afspele te stoppen, til de toonarm met de hendel (19) omhoog.
7. Na het spelen van een nummer, til de toonarm met de hendel van de draaitafel (19) omhoog. Zet de arm op de blokkade (20) en laat zakken met

behulp van de hendel (19).

8. Om de functie AUTO-STOP in- of uit te schakelen, druk op de knop AUTO-STOP (32).

OPNEMEN OP EEN CD/USB/SD KAART

1. Openen van de radio - Steek de USB / SD-kaart in de juiste ingang (42 of 30). Druk op de FUNCTION knop (5, 35) om de radio-ontvangst te selecteren. Druk op de BAND (11) knop om de golflengte van de AM of FM te kiezen. Met de knop SKIP DOWN (12, 39) en SKIP UP (13, 40) kunt u afstemmen van de gewenste radiofrequentie. Druk op de REC / DEL (8, 33) knop. Het apparaat begint binnen enkele seconden op te nemen op de opslagmedia van de beschikbare USB / SD. Met de knop SKIP DOWN (12, 39) en SKIP UP (13, 40) kunt u kiezen of u wilt opnemen op een USB-stick of SD-kaart. Bevestig nogmaals met de REC / DEL (8, 33) knop. Na een paar seconden zal het apparaat beginnen met het opnemen van de geselecteerde geheugen stick (als het alleen is aangesloten op een USB-opslagapparaat of SD-kaart, druk eerst op de REC / DEL knop, het opnemen begint na een paar seconden). Tijdens het opnemen verschijnt er een en het REC icoon zal knipperen. Om de opname te stoppen, drukt u op de STOP / BAND (11, 38) knop. LET OP: Het radio-opname proces duurt een paar seconden. Er kan storing / ruis zijn tijdens het opnemen van de radio.

2. Opnemen van vinyl - Steek de USB / SD-kaart in de juiste ingang (42 of 30). Druk op de FUNCTION knop (5, 35) om "PHONE" te selecteren. Leg een vinylplaat op de draaitafel en begin met het nummer dat u wilt opnemen door de toonarm op zijn plaats te leggen af te spelen. Verdere stappen zijn dezelfde als bij het opnemen van de radio.

3. Opnemen van een extern apparaat (AUX-modus) - Steek de USB / SD-kaart in de juiste ingang (42 of 30). Druk op de FUNCTION knop (5, 35) om "AUX" te selecteren. Sluit de externe apparaten op de AUX IN (14) en kies ervoor om een 3 extern apparaat dat u wilt opnemen te creëren. Verdere stappen zijn dezelfde als bij het opnemen van de radio.

NUMMERS VERWIJDEREN UIT EEN USB/SD KAART BESTAND

Het verwijderen van een enkele opname - Steek de USB / SD-kaart in de juiste ingang (42 of 30). Selecteer het nummer dat u wilt verwijderen. Met de knop SKIP DOWN (12, 39) en SKIP UP (13, 40) begint het nummer te spelen. Houd gedurende circa 3 sec. De knop REC / DEL (8, 33) vast.

REINIGEN EN ONDERHOUD

1. Haal de stekker uit het stopcontact.

2. Veeg het apparaat alleen af met een droge doek.

3. Plaats het apparaat op een droge plek.

LET OP: Gebruik geen water bij het reinigen, het kan beschadigen veroorzaken.

SPECIFICATIES

Voeding: 230V ~50Hz

Vermogen RMS: 2x 1,5W



Dit product mag niet samen met het normale huishoudelijke afval worden afgevoerd. U dient dit product bij een voor het recyclen van elektrische of elektronische apparaten aangewezen verzamelplaats in te leveren. Door het separaat inzamelen en recyclen van afvalproducten helpt u mee bij het zuinig omgaan met de natuurlijke hulpbronnen en zorgt u ervoor dat het product op een gezondheids- en milieuvriendelijke manier afgevoerd wordt.

SLOVENŠČINA

VARNOSTNE RAZMERE. PREBERITE NAVODILA ZA UPORABO IN JIH SKRBNOSTNO SHRANITE ZA PRIHODNJO UPORABO.

Zaradi pogojev v garanciji, če se naprava uporablja v komercialne namene.

1. Pred uporabo izdelka preberite navodila za uporabo. Proizvajalec ni odgovoren za kakršnokoli škodo zaradi zlorabe izdelka.

2. Izdelek se uporablja samo v zaprtih prostorih. Ne uporabljajte izdelka za kakršenkoli namen, ki ni v skladu z njegovo uporabo.

3. Napetost naprave je 230V-50 Hz. Ne povežite več naprav z eno vtičnico, zaradi varnostnih razlogov.

4. Bodite previdni ko uporabljate izdelek v bližini otrok. Ne pustite, da se otroci igrajo z izdelkom. Ne pustite, da napravo uporabljajo otroci in ljudje, ki niso seznanjeni z navodili za uporabo izdelka.

5. **OPOZORILO:** To napravo lahko uporabljajo samo otroci, stari nad 8 let, osebe z zmanjšanimi fizičnimi, čutnimi ali duševnimi sposobnostmi ali oseb brez izkušenj ali znanja naprave, lahko napravo uporabljajo samo pod nadzorom osebe, ki je odgovorna za njihovo varnost, ali če so jim podali navodila na varno uporabo naprave in še zavedajo nevarnosti, povezane z njenim delovanjem. Otroci se naj ne igrajo z napravo. Čiščenje in vzdrževanje naprave naj ne izvajajo otroci, razen če so starejši od 8 let in te dejavnosti izvajajo pod nadzorom osebe, ki je odgovorna za njihovo varnost.

6. Ko boste končali z uporabo izdelka, nežno odstranite vtič iz električne vtičnice. Nikoli ne potegnite za napajalni kabel!

7. Nikoli ne dajajte napajalnega kabla, vtičača ali celotne naprave v vodo. Nikoli ne izpostavljajte izdelka atmosferskim pogojem, kot je neposredna sončna svetloba ali dež, itd...

Nikoli ne uporabljajte izdelka v vlažnih pogojih.

8.Redno preverjajte stanje napajalnega kabla. Če je napajalni kabel poškodovan se je potrebno obrniti na pooblaščenega serviserja, da bi se izognili nevarni situaciji.

9.Nikoli ne uporabljajte izdelka z poškodovanim napajalnim kablom ali če se je naprava poškodovala in ne deluje pravilno. Ne poskušajte popraviti poškodovanega izdelka sami, saj lahko privede do električnega udara. Vedno se obrnite na pooblaščenega serviserja.

Popravilo, ki je bilo narejeno nepravilno lahko povzroči nevarne razmere za uporabnika.

10.Nikoli ne dajajte proizvoda na ali blizu vroče ali tople površine ali kuhinjskih aparatov, kot so električna pečica ali plinski gorilnik.

11.Nikoli ne uporabljajte izdelka blizu vnetljivih snovi.

12.Ne dovolite, da kabel visi čez rob.

13.Nikoli ne pustite izdelek, povezan z virom energije brez nadzora. Tudi, ko za kratek čas prekinete uporabo, ga izklopite iz vtičnice.

14.Da se zagotovi dodatna varnost, priporočeno je da se v električnem tokokrogu namesti zaščitna naprava za diferenčni tok (RCD) z nazivnim diferenčnim tokom, ki ne presega 30 mA. Za namestitev naprave se je treba obrniti na strokovnjaka iz področja elektrike.

15. Ne dovolite, da se namaka radio.

16. Radio se lahko obriše s samo suho krpo. Ne uporabljajte vode ali čistilne tekočine.

17. Da bi zagotovili opremo energetske varčne, če ne registrirati signala iz mize/vhodno AUX IN v času 10 minut, samodejno preklopi v stanje pripravljenosti.

18. Radio je treba hraniti v suhem prostoru.

OPIS NAPRAVE

1.	Pokrov gramofona	23.	Gramofonska igla ščit
2.	LCD zaslon	24.	Reža LINE OUT
3.	LED napajanja	25.	Kabel FM antene
4.	Vgrajen zvočnik	26.	Napajalni kabel
5.	Gumb FUNCTION	27.	Gumb STANDBY
6.	Gumb SLEEP/TIMER	28.	Gumb PRESET/ALBUM DN
7.	Vhod za slušalke	29.	Gumb PRESET/ALBUM UP
8.	Gumb REC/DEL	30.	Slot SD kartico
9.	Gumb MODE/CLOCK	31.	Gumb MUTE
10.	Gumb PLAY/PAUSE/TUNER SCAN	32.	Stikalo AUTO-STOP
11.	Gumb STOP/BAND	33.	Gumb REC/DEL
12.	Gumb SKIP DOWN	34.	Gumb FM ST.
13.	Gumb SKIP UP	35.	Gumb FUNCTION
14.	Vhod AUX	36.	Gumb MODE/CLOCK
15.	Gumb ALBUM/PRESET DOWN	37.	Gumb PLAY/PAUSE
16.	Gumb ALBUM/PRESET UP	38.	Gumb STOP/BAND
17.	Stikalo ON/OFF/ nadzor glasnosti	39.	Gumb SKIP DOWN
18.	Adaptersko na plošče 45RPM	40.	Gumb SKIP UP
19.	Roko gramofona	41.	Gumbi VOLUME UP/DOWN
20.	Ključavnica vzvoda gramofona	42.	USB slot
21.	Nastavitev hitrosti vrtenja krožnik		
22.	Roko gramofona		

NASTAVITEV URE

Pred prvo uporabo, razpakirajte vse in odstranite vse zaščitne materiale. Razširite kabel FM antene in napajalni kabel. Ne prekrivajte prezačevalnih odprtih, poskrbite, da je radio okoli nekaj po premeru nekaj centimetrov, ki so potrebni za pravilno prezačevanje.

1. V stanju pripravljenosti, pritisnite in držite gumb MODE/CLOCK (9, 36). Na zaslonu (2) začne utripati sporočilo "12H/24H". S uporabo gumbov SKIP DOWN (12, 39) in SKIP UP (13, 40) izberite 12-urni ali 24-urni način in potrdite s ponovnim pritiskom gumba MODE/CLOCK (9, 36). Naprava bo vstopila ur načinu urejanja.

2. S uporabo gumbov SKIP DOWN (12, 39) in SKIP UP (13, 40) nastavite trenutno uro in potrdite s pritiskom na gumb MODE/CLOCK (9, 36).

Naprava bo vstopila v način urejanja minuto.

3. S uporabo gumbov SKIP DOWN (12, 39) in SKIP UP (13, 40) nastavite trenutni minuto in potrdite s pritiskom na gumb MODE/CLOCK (9, 36).

FUNKCIJO TIMER (AVTOMATSKO UTIHNIL)

1. Ko je naprava vklopljena, pritisnite gumb SLEEP/TIMER (6) ustrezno število krat da izberete čas, po katerem je naprava izklopljena (90, 80, 70...10 minut).

2. Sporočilo "SLEEP" na zaslonu označuje, da avtomatski izklop funkcija je aktiviran.

3. Po izbranem času naprava izklopi in preklopi v stanje pripravljenosti.

GUMB FUNCTION (5)

Uporablja se za spremembo načina delovanja

- PHON (način igranje gramofona)
- AUX (način delovanja zunanjo napravo)
- način radijski sprejem FM
- MP3 (način branja USB pomnilnika ali SD način branja kartice)

POSLUŠANJE RADIA

1. Vklopite napravo s gumb ON/OFF (17, 27) in nastavite radijski za način prejeme s gumb FUNCTION (5).
2. S uporabo gumb BAND (11) izberite valovne dolžine AM ali FM.
3. S uporabo gumbov SKIP DOWN (12, 39) in SKIP UP (13, 40) nastavite zelene radijske frekvence. Pritisnite in držite za približno 1-2 sekund ti gumbi bo samodejno poiskal bližnje frekvenc. Ko je bilo ugotovljeno, se iskanje ustavi.
4. Ko se ugotovi frekvenca izbrane postaje, pritisnite gumb MODE/CLOCK (9, 36) da bi rešili postajo.
5. Ponovite korake 3-4 za prednastavljene izbranih postaj (max 30 programov - FM, max 20 programov - AM).
6. S uporabo gumbov PRESET DOWN (15) in PRESET UP (16) izbirate lahko med prednastavljenimi programi.
7. Z vrtenjem bunka za nadzor glasnosti (17) ali z uporabo gumbov (40) na daljinskem upravljalniku, lahko nastavite glasnost.
8. FM antena (24) se nahaja na zadnji plošči. Če je sprejem signala je prešibak, poskusite premakniti anteno in najti mesto, kjer je signal najmočnejši. AM antena je nameščena v sredini radijski sprejemnik. Če je sprejem signala je prešibak, poskusite premakniti sprejemnik na drugo lokacijo, ga obrnite v drugo smer, za ulov najmočnejši signal.
9. Gumb TUNER SCAN (10) se uporablja za samodejno iskanje in shranjevanje razpoložljive radijske postaje.

PREDVAJANJE MP3 DATOTEK IZ USB/SD POMNILNIK

OPOMBA: Naprava ni nujno združljiva z vsemi datotekami zaradi razlik v kodiranju. Naprava morda ne bo delovala z nekaj pomnilniki USB/ SD. Naprava podpira USB pomnilnika in pomnilnika SD kartic do 8 GB zmogljivost.

1. Vklopite stikalo predvajalnika ON/OFF (17, 27). Postavite pomnilniški ključek USB ali SD kartico v reza (USB reza - 42, SD reza - 30).
2. Izberite način delovanja s pritiskom na gumb FUNCTION (5, 35).
3. Naprava prebere pomnilnika in zaslon prikazuje število shranjenih skladb. Nato se bo naprava začel igrati prvo skladbo.
4. S uporabo gumba PLAY/PAUSE (10, 37) lahko se ustavite in ponovite predvajanje glede skladbo.
5. S uporabo gumbov SKIP DOWN (12, 39) in SKIP UP (13, 40) lahko se odločite, da igrajo bodisi na prejšnje ali naslednje skladbe. Pritisk in držanje ti gumbi med pesmijo bo povzročilo, pomikanje da nazaj ali naprej.
6. S uporabo gumbov ALBUM DOWN (15, 28) in ALBUM UP (16, 29) lahko greš in igrajo ali prejšnjo katalog skladb.
7. Med predvajanjem glasbe, enkrat pritisnite gumb MODE/CLOCK (9, 36) za opravljanje ponavljati eno pesem. S pritiskom na gumb v tem zaporedju MODE/CLOCK (9, 36) bo ponovite celoten pomnilnika USB/ SD kartico.
8. Odstranjevanje USB pomnilnika/ SD kartica iz reze je treba storiti, ko izklopite radio, ali pa preklopite na radio, igranje gramofonske plošče ("PHON") ali zunanjo napravo ("AUX").

UPORABA NAPRAVE POVEZANA Z UNIVERZALNO VHODNO VTIČNICO AUX IN:

1. Priključite zunanjo napravo za igralca skozi rezo AUX IN (14).
2. Preklopite igralec v način delovanja AUX IN pritiskom na gumb FUNCTION (5).

Za predvajanje na radijski vtičnici lahko predvajate glasbene datoteke, shranjene na mobilnem telefonu, opremljenem s tehnologijo Bluetooth.

1. Vklopite napravo in pritisnite gumb „FUNCTION“, da izberete način Bluetooth.
2. Aktivirajte povezavo Bluetooth naprave za predvajanje predstavnosti. Naprava za predvajanje medijev bo zdaj iskala naprave, ki jih lahko povežite.
3. Naprava za predvajanje medijev mora zdaj prejemati kodo naprave CR 1168
4. Za priključitev radia uporabite napravo za predvajanje predstavnosti. To naredite tako, da na napravi za predvajanje predstavnosti izberete CR 1168.

PREDVAJANJE VINIL PLOŠČ

Pred prvo uporabo gramofona, odstranite pokrovček z igle gramofona (23) in razvozlanjem vozela pritrdilni roko gramofona ki se nahaja na blokade roko gramofona (20).

1. Sprostite zaklepanje roko (20) in nastavite napravo za način PHON s pritiskom na gumb FUNCTION (5, 35).
2. Postavite ploščo na vrtljivi mizi gramofon. Če je potrebno, uporabite adapter (18).
3. Izberite hitrost vrtljivi mizi (predvajanje hitrost je odvisna od vrste ploščo) s stikalom (21).
4. S uporabo vzvod (19) dvignite tonov roko, to se bo začelo vrtenje plošče z vinil zapis. Nežno potisnite roko nad skladbo, ki jo želite poslušati. Spodnja veja iglo z vzvodom (19).
5. Z vrtenjem bunka za nadzor glasnosti (17) ali z uporabo gumbov (40) na daljinskem upravljalniku, lahko nastavite glasnost.
6. Če želite ustaviti predvajanje plošče, dvignite roko gramofona s ročica (19).
7. Po koncu plošče dvignite roko gramofona z vzvodom ročica gramofona (19). Premaknite ročico iznad zaklepanje (20) in pustite s vzvod (19).
8. Če želite omogočiti ali onemogočiti funkcio AUTO-STOP uporabite stikalo AUTO-STOP (32).

USB DISK SNEMANJE /SD KARTICO

1. Smanjanje z radia - vstavite pomnilnik USB / SD kartico v ustrezno rezo (42 ali 30). Pritisnite gumb FUNCTION (5, 35) da izberete radijski sprejem način. S uporabo gumba BAND (11) izberite valovne dolžine AM ali FM. S uporabo gumbov SKIP DOWN (12, 39) in SKIP UP (13, 40) nastavite zelene radijske frekvence. Pritisnite gumb REC/DEL (8, 33). Naprava v nekaj sekundah bere medijev USB/ SD pomnilnika na voljo. S uporabo gumbov SKIP DOWN (12, 39) in SKIP UP (13, 40) izberite, ali želite posneti na pomnilnik USB ali SD kartico. Potrdite ponovno dotik REC/DEL (8, 33). Po nekaj sekundah naprava začne utripati sneti izbrano pomnilniško kartico (Če je napravo za shranjevanje USB ali kartico SD ni povezan samo, s prvim klikom REC/ DEL začne sneti po nekaj sekundah). V času smanjanja ikona REC utripa. Če želite ustaviti smanjanje, pritisnite gumb STOP/BAND (11, 38).

OPOMBA: Začetni postopek za smanjanje iz radia potrebuje nekaj sekund. Obstajajo lahko poseg/ hrup med smanjanjem z radia.

2. Smanjanje iz vinila – postavite disk USB/ SD kartico v pravilno rezo (42 ali 30). Pritisnite gumb FUNCTION (5, 35) da izberete način "PHON". Postavite vinil ploščo na vrtljivi mizi in začnite igrati skladbo, če želite posneti z nastavitvijo ročico gramofona na pravem mestu. Nadaljnji koraki so enaki kot pri smanjanje iz radia.

3. Smanjanje iz zunanje naprave (način AUX) - postavite disk USB/ SD kartico v pravilno rezo (42 ali 30). Pritisnite gumb FUNCTION (5, 35) da izberete način "AUX". Priključite zunanjo zvočne naprave na rezo AUX IN (14) izberite skladbo na zunanjo napravo, ki bi želeli posneti. Nadaljnji koraki so enaki kot pri smanjanje iz radia.

ODSTRANITEV SKLADB IZ USB HDD/ SD KARTICO

Izbris enotnega smanjanja - postavite disk USB/ SD kartico v pravilno rezo (42 ali 30). Izberite skladbo, ki jo želite izbrisati s uporabo gumbov SKIP DOWN (12, 39) in SKIP UP (13, 40) in začnite igrati. Pritisnite in zadržite na pribl. 3 sekunde gumb REC/DEL (8, 33).

ČIŠČENJE IN VZDRŽEVANJE

1. Napravo izklopite iz električnega omrežja.
 2. Naprava se lahko obriše s suho krpo le.
 3. Naprava mora biti shranjena v suhem prostoru.
- OPOMBA: Ne uporabljajte vode za čiščenje, lahko poškodujete napravo.

TEHNIČNI PODATKI

Napetost napajanje: 230V ~50Hz
RMS izhodna moč: 2x 1,5W



Zaščita okolja. Prosimo ločite kartonske škatle od plastičnih vreč ter jih odvrzite v primerne koše za smeti. Odslužene naprave zavrzite v zbirne centre zaradi nevarnih komponent, ki lahko ogrožajo okolje. Naprave ne zavrzite v navaden koš za smeti.

РУССКИЙ

ОБЩИЕ УСЛОВИЯ БЕЗОПАСНОСТИ. ВАЖНАЯ ИНФОРМАЦИЯ ПО БЕЗОПАСНОСТИ. ВНИМАТЕЛЬНО ПРОЧТИТЕ И СОХРАНИТЕ.

Условия гарантии другие, если устройство используется в коммерческих целях.

1. До начала употребления устройства прочитать инструкцию обслуживания и действовать по указаниям содержащимся в ней. Производитель не несёт ответственность за вред причиненный употреблением устройства не в соответствии с его предназначением или его несоответствующим обслуживанием.
2. Устройство служит только для домашнего употребления. Не употреблять с другой целью, не в соответствии с его предназначением.
3. Устройство надо подключить только к гнезду 230 В ~ 50 Гц. Для повышения безопасности употребления, к одной цепи тока не надо одновременно включать многие электрические устройства.
4. Надо соблюдать особенную осторожность во время употребления устройства, когда вблизи находятся дети. Не надо допускать детей к развлечениям с устройством, не разрешай ни детям ни лицам не знакомым с устройством на употребление его.
5. Устройство не предназначено для употребления лицами (в том числе детьми) с ограниченной физической способностью, способностью к ощущению или умственной способностью или с отсутствием опыта или знакомления с устройством, разве, что это происходит при надзоре лица ответственного за их безопасность и в соответствии с инструкцией употребления устройства.
6. Всегда после окончания употребления, удали штепсель из питающего гнезда придерживая гнездо рукой. НЕ тянуть за сетевой кабель.
7. Не погружай кабель, штепсель, также всё устройство в воде или другой жидкости. Не выставляй устройство на действие атмосферных условий (дождя, солнца и пр.), не употребляй при условиях повышенной влажности (ваннанные комнаты, влажные летние домики).
8. Периодически проверяй состояние питающего провода. Если питающий провод повреждён, его должна заменить специализированная ремонтная мастерская для избегания угрозы.
9. Не употребляй устройство с повреждённым питающим проводом или когда оно упало или было повреждено каким-нибудь другим образом или оно неправильно работает. Не осуществляй ремонт устройства самостоятельно, так как это угрожает поражением током. Повреждённое устройство передай в соответствующую сервисную точку для проверки или осуществления ремонта. Все ремонты могут осуществлять только сервисные точки, у которых на это право. Неправильно осуществлённый ремонт может причинить серьёзную угрозу для пользователя.
10. Надо устанавливать устройство на холодной, устойчивой, ровной поверхности, далеко нагревающейся кухонной техники такой как: электрическая плита, газовая горелка и др.
11. Не употреблять устройство вблизи легковоспламеняющихся материалов.
12. Провод питания не может висеть за краем стола или соприкасаться к горячим поверхностям.
13. Не оставляй устройство включенное в гнездо без надзора.
14. Для дополнительной защиты рекомендуется установить в сети устройство защитного отключения (УЗО) с номинальным дифференциальным током не более 30

- МА. Для установки, пожалуйста, обратитесь к квалифицированному электрику.
15. Не допускать намокания радиоприемника.
 16. Можно протирать радио только сухой ветошью. Не используйте воду или жидкости для очистки.
 17. Для обеспечения энергосбережения устройства, если оно не регистрирует сигнал от грамофона/входа AUX IN в течение 10 минут, оно автоматически перейдет в режим STANDBY.
 18. Радиоприемник следует хранить в сухом помещении.

ОПИСАНИЕ УСТРОЙСТВА

- | | |
|--|-----------------------------|
| 1. Крышка грамофона | 23. чехол иглы |
| 2. LCD дисплей | 24. Гнездо LINE OUT |
| 3. индикатор включения | 25. Антенна FM |
| 4. Встроенный динамик | 26. сетевой кабель |
| 5. Кнопка FUNCTION | 27. Кнопка STANDBY |
| 6. Кнопка SLEEP/TIMER | 28. Кнопка PRESET/ALBUM DN |
| 7. Выход для наушников | 29. Кнопка PRESET/ALBUM UP |
| 8. Кнопка REC/DEL | 30. Гнездо карт SD |
| 9. Кнопка MODE/CLOCK | 31. Кнопка MUTE |
| 10. Кнопка PLAY/PAUSE/TUNER SCAN | 32. Переключатель AUTO-STOP |
| 11. Кнопка STOP/BAND | 33. Кнопка REC/DEL |
| 12. Кнопка SKIP DOWN | 34. Кнопка FM ST. |
| 13. Кнопка SKIP UP | 35. Кнопка FUNCTION |
| 14. Выход AUX | 36. Кнопка MODE/CLOCK |
| 15. Кнопка ALBUM/PRESET DOWN | 37. Кнопка PLAY/PAUSE |
| 16. Кнопка ALBUM/PRESET UP | 38. Кнопка STOP/BAND |
| 17. Выключатель ON/OFF/регуляция громкости | 39. Кнопка SKIP DOWN |
| 18. Адаптер для пластинок 45RPM | 40. Кнопка SKIP UP |
| 19. Рычаг подъемника иглодержателя | 41. Кнопка VOLUME UP/DOWN |
| 20. замок опоры тонарма | 42. Выход USB |
| 21. Переключатель скорости вращения | |
| 22. Тонарм | |

УСТАНОВКА ЧАСОВ

Перед первым включением, распакуйте и удалите все предохранительные материалы. Разверните кабель антенны FM и кабель питания. Не закрывайте вентиляционные отверстия. Убедись, что вокруг радиоприемника есть несколько сантиметров свободного пространства необходимых для правильной вентиляции.

1. В режиме ожидания нажмите и удерживайте кнопку MODE / CLOCK (9, 36). На дисплее (2) начнет мигать надпись "12H / 24H". При помощи кнопок SKIP DOWN (12, 39) и SKIP UP (13, 40), выберите 12-часовой или 24-часовой режим и подтвердите нажатием кнопки MODE / CLOCK (9, 36). Устройство войдет в режим программирования времени.
2. При помощи кнопок SKIP DOWN (12, 39) и SKIP UP (13, 40), установите текущий час и подтвердите выбор нажатием кнопки MODE / CLOCK (9, 36). Устройство войдет в режим редактирования минут.
3. При помощи кнопок SKIP DOWN (12, 39) и SKIP UP (13, 40), установите текущую минуту и подтвердите выбор нажатием кнопки MODE / CLOCK (9, 36).

ФУНКЦИЯ ТАЙМЕРА (АВТОМАТИЧЕСКОЕ ВЫКЛЮЧЕНИЕ УСТРОЙСТВА)

1. Когда устройство включено, нажмите кнопку SLEEP / TIMER (6) соответствующее число раз, чтобы выбрать время через которое устройство выключится (90, 80, 70 ... 10 минут).
2. Надпись "SLEEP" на дисплее указывает, что функция автоматического отключения активирована.
3. По истечении выбранного времени, устройство выключается и переходит в режим ожидания.

КНОПКА FUNCTION (5)

Используется для изменения режима работы

- PHON (режим использования проигрывателя)
- AUX (режим использования внешнего устройства)
- Режим прослушивания радио AM / FM
- MP3-(режим чтения USB-накопителя или режим чтения SD-карты)

ПРОСЛУШИВАНИЕ РАДИО

1. Включите устройство кнопкой ON/OFF (17,27) и установите режим радиоприема кнопкой FUNCTION (5).
2. При помощи кнопки BAND (11) выберите диапазон частоты AM или FM.
3. При помощи кнопок SKIP DOWN (12, 39) и SKIP UP (13, 40) настройте желаемую частоту. Нажатие и удерживание данных кнопок приведет к автоматическому поиску ближайшей частоты. После ее нахождения поиск остановится.
4. Когда частота выбранной радиостанции будет найдена, нажмите кнопку MODE/CLOCK (9, 36) для того что бы записать ее.
5. Повторите шаги 3-4, чтобы запрограммировать избранные станции. (макс. 30 программ - FM, макс. 20 программ - AM).
6. При помощи кнопок PRESET DOWN (15) и PRESET UP (16) можете выбрать из запрограммированных программ.
7. Поворачивая регулятор громкости (17) или используя кнопки (40) на пульте можно установить уровень громкости.
8. Антенна FM (39) расположена на задней панели. Если сигнал слишком слабый, передвиньте антенну и найдите место, в котором сигнал будет самым сильным.
9. Антенна AM расположена внутри радиоприемника. Если сигнал слишком слабый, попытайтесь перенести приемник в другое место, повернуть его в другом направлении, чтобы поймать самый сильный сигнал.
9. Кнопка TUNER SCAN (10) предназначена для автоматического поиска и записи доступных радиостанций.

ВОСПРОИЗВЕДЕНИЕ ДАННЫХ MP3 С SD/USB НОСИТЕЛЕЙ

ВНИМАНИЕ: Воспроизведение некоторых носителей может быть невозможным в связи с разницей в кодировании. Устройство может быть не совместимо с некоторыми носителями USB/SD. Устройство обслуживает носители USB или CD не превышающие память 8 GB.

1. Включите воспроизведение включателем ON/OFF (17, 27). Поместите носитель USB или SD в гнездо (гнездо USB -42, гнездо SD -30).
2. Выберите режим работы кнопкой FUNCTION (5, 35).
3. Устройство начнет считывать с носителя и покажет на дисплее количество записанных на нем произведений. После этого устройство начнет воспроизведение с первой композиции
4. При помощи кнопки PLAY/PAUSE (10, 37) можно задерживать и возобновлять воспроизведение данной композиции.
5. При помощи кнопок SKIP DOWN (12, 39) i SKIP UP (13, 40) можно выбирать воспроизведение последующих либо предыдущих композиций. Нажатие и удержание этой кнопки во время воспроизведения композиции приведет к его прослушиванию в ускоренном режиме вперед либо назад.
6. При помощи кнопок ALBUM DOWN (15, 28) и ALBUM UP (16, 29), можно перейти к воспроизведению предыдущего либо следующего каталога с композициями.
7. Во время воспроизведения композиции, для ее повтора, один раз нажмите кнопку MODE/CLOCK (9, 36). Последующее нажатие кнопки MODE/CLOCK (9, 36) приведет к повторению целого содержимого носителя USB/карты SD.
8. Изъятие носителя USB/карты SD из гнезда следует производить при выключеном радио, либо при переключении его в режим радио, воспроизведение пластинок ("PHON"), или же внешнего устройства ("AUX").

ИСПОЛЬЗОВАНИЕ УСТРОЙСТВА ПОДКЛЮЧЕННОГО ЧЕРЕЗ УНИВЕРСАЛЬНЫЙ ВЫХОД AUX IN

1. Подключите устройство к выходу AUX IN (14).
2. Включите функцию воспроизведения AUX IN кнопкой FUNCTION (5).

Вы можете воспроизводить музыкальные файлы, сохраненные на мобильном телефоне, оснащенном Bluetooth, для воспроизведения по радио в розетке.

1. Включите устройство, нажмите кнопку «FUNCTION», чтобы выбрать режим Bluetooth.
2. Активируйте соединение Bluetooth устройства воспроизведения мультимедиа. Устройство воспроизведения мультимедиа теперь будет искать устройства, на которые оно может подключения.
3. Тепер устройство воспроизведения мультимедиа должно получать код устройства CR 1168.
4. Используйте устройство воспроизведения мультимедиа для подключения к радио. Для этого выберите CR 1168 на устройстве воспроизведения мультимедиа.

ВОСПРОИЗВЕДИТЕ ВИНИЛОВЫХ ПЛАСТИНОК

Перед первым использованием грамофона, снимите защитный чехол (23) с развяжите узелок на рычаге подъемника иглодержателя находящегося около замка опоры тонарма (20).. Откройте замок опоры тонарма (45).

1. Откройте замок опоры тонарма (20) и установите устройство в режим PHON при помощи кнопки FUNCTION (5, 35)
2. Положите грампластинку на опорный диск. При необходимости используйте адаптер (18).
3. Установите скорость воспроизведения пластинок при помощи переключателя (21).
4. Используя рычаг подъемника (19) поднимите тонарм, это приведет к вращению порного диска с пластинкой. Установите тонарм на желаемой для прослушивания композиции. Опустите тонарм при помощи рычага подъемника иглодержателя (19).
5. Прокручивая включатель регуляция громкости (17) или используя кнопки (40) на пульте управления, Вы можете установить нужную вам громкость.
6. В случае прервания воспроизведения пластинки, поднимите тонарм при помощи рычага подъемника иглодержателя (19).
7. После окончания прослушивания пластинок, поднимите тонарм при помощи рычага подъемника иглодержателя (19). Передвиньте тонарм и опустите его на замок опоры тонарма (20) при помощи рычага подъемника иглодержателя (19).
8. Для того что бы включить или отключить функцию AUTO-STOP используйте переключатель AUTO-STOP (32).

ЗАПИСЬ ПРОИЗВЕДИЕНИЯ НА НОСИТЕЛЬ USB/КАРТУ SD

1. Запись с радио – установите носитель USB/карту SD с соответствующим разьеме (42 или 43). Нажмите кнопку FUNCTION (5, 35), для того что бы выбрать прослушивание радио. При помощи кнопки BAND (11) установите нужную вам частоту волн AM или FM. При помощи кнопок SKIP DOWN (12, 39) i SKIP UP (13, 40) установите желаемую радио частоту. Нажмите кнопку REC/DEL (8, 33) Устройство в течении нескольких секунд обнаружит доступные носители USB/SD. При помощи кнопок SKIP DOWN (12, 39) i SKIP UP (13, 40) выберите режим записи на USB или на карту SD. Подтвердите выбор последующим нажатием REC/DEL (8, 33). Через несколько секунд устройство начнет запись на выбранный носитель, (если подключен носитель USB или карта SD, первое нажатие кнопки REC/DEL приведет в действие запись). Во время записи значок REC будет мигать. Для того что бы остановить запись нажмите кнопку STOP/BAND (11, 38)
2. **ВНИМАНИЕ:** Процесс записи с радио наступает с некоторой задержкой. Во время записи могут быть помехи/шумы.
3. Запись с виниловой пластинки – поместите носитель USB/карту SD в соответствующий разьем (42 или 30). Нажмите кнопку FUNCTION (5, 35) что бы выбрать режим "PHON". Поместите виниловую пластинку на опорный диск, установите тонарм в соответствующем месте и начните воспроизведение композиции которую хотите записать. Последующие действия идентичны как при записи с радио.
3. Запись с внешнего носителя (режим AUX) – поместите носитель USB/карту SD в соответствующее гнездо (42 или 30). Нажмите кнопку FUNCTION (5, 35) для того что бы выбрать режим "AUX". Подключите внешнее устройство к гнезду AUX IN (14) и выберите с внешнего носителя композицию, которую желаете записать. Последующие действия такие же как при записи с радио.

УДАЛЕНИЕ ПРОИЗВЕДИЕНИЙ С НОСИТЕЛЯ USB/КАРТУ SD

Удаление одной записи – поместите внешний носитель USB/карту SD в соответствующее гнездо (42 или 30). Выберите композицию, которую хотите удалить при помощи кнопок SKIP DOWN (12, 39) i SKIP UP (13, 40) и начите его воспроизведение. Нажмите и удерживайте около 3 секунд кнопку REC/DEL (8, 33).

ОЧИСТКА И КОНСЕРВАЦИЯ

1. Отключите радиоприемник от сети.
2. Можно протирать радио только сухой ветошью..
3. Радиоприемник следует хранить в сухом помещении.

ПРИМЕЧАНИЕ: Не используйте воду для чистки, это может повредить радиоприемник.

ТЕХНИЧЕСКИЕ ДАННЫЕ

Напряжение питания: 230 В ~ 50 Гц
Выходная мощность RMS: 2x 1,5 Вт



Забываясь об окружающей среде.. Упаковку из картона передайте, пожалуйста, на макулатуру. Полиэтиленовые мешки (PE) выкидать в резервуар для пластмассы. Изношенное устройство надо передать в соответствующую точку хранения, так как находящиеся устройстопасные составляющие могут являться угрозой для окружающей среды. Электрическое устройство надо передать таким образом, чтобы ограничить его повторное употребление и использование. Если в устройстве находятся батареи, их надо вытянуть и передать в точку хранения отдельно. Устройство не выкидать в резервуар для коммунальных отходов!

SIGURNOSNI UVJETI VAŽNE UPUTE O SIGURNOSTI UPORABE MOLIMO VAS DA PROČITAJTE I ČUVAJTE ZA BUDUĆE REFERENCE

Uvjeti jamstva se razlikuju, ako se uređaj koristi u komercijalne svrhe.

1. Prije uporabe proizvoda pažljivo pročitajte i uvijek se pridržavajte sljedećih uputa. Proizvođač nije odgovoran za bilo kakvu štetu nastalu zbog zlouporabe.
2. Proizvod se smije koristiti samo u zatvorenom prostoru. Nemojte koristiti proizvod za bilo koju svrhu koja nije kompatibilna s njegovom primjenom.
3. Primjenjivi napon je 230V, ~ 50Hz. Iz sigurnosnih razloga nije prikladno priključiti više uređaja na jednu utičnicu.
4. Budite oprezni prilikom korištenja oko djece. Nemojte dopustiti djeci da se igraju s proizvodom. Ne dopustite djeci ili osobama koje ne poznaju uređaj da je koriste bez nadzora.
5. UPOZORENJE: Ovaj uređaj mogu koristiti djeca starija od 8 godina i osobe sa smanjenim fizičkim, osjetilnim ili mentalnim sposobnostima, ili osobe bez iskustva ili znanja o uređaju, samo pod nadzorom osobe odgovorne za njihovu sigurnost, ili ako su poučeni o sigurnom korištenju uređaja i koji su svjesni opasnosti povezanih s njegovim radom. Djeca se ne smiju igrati s uređajem. Čišćenje i održavanje uređaja ne smiju izvoditi djeca, osim ako su starija od 8 godina i te se aktivnosti obavljaju pod nadzorom.
6. Nakon što završite s korištenjem proizvoda, uvijek imajte na umu da lagano izvadite utikač iz utičnice koja drži utičnicu rukom. Nikada ne vucite kabel za napajanje !!!
7. Nikada ne stavljajte kabel za napajanje, utikač ili cijeli uređaj u vodu. Nikada ne izlažite proizvod atmosferskim uvjetima kao što su izravna sunčeva svjetlost ili kiša itd. Nikada ne koristite proizvod u vlažnim uvjetima.
8. Periodično provjerite stanje kabela za napajanje. Ako je kabel za napajanje oštećen, proizvod treba okrenuti u profesionalni servisni prostor koji treba zamijeniti kako bi se izbjegle opasne situacije.
9. Nikad nemojte koristiti proizvod s oštećenim kablom za napajanje ili ako je ispušten ili oštećen na bilo koji drugi način ili ako ne radi ispravno. Ne pokušavajte sami popraviti oštećeni proizvod jer to može dovesti do strujnog udara. Oštećeni uređaj uvijek okrećite na mjesto profesionalnog servisiranja kako biste ga popravili. Sve popravke mogu obaviti samo ovlašteni serviseri. Neispravan popravak može uzrokovati opasne situacije za korisnika.
10. Nikad ne stavljajte proizvod na vruće ili tople površine ili u kuhinjske uređaje kao što je električna pećnica ili plinski plamenik.
11. Nikada nemojte koristiti proizvod blizu zapaljivih tvari.
12. Ne dopustite da kabel visi preko ruba pulta ili dodirnete vruće površine.
13. Nikad ne ostavljajte proizvod spojen na izvor napajanja bez nadzora. Čak i kada je uporaba prekinuta na kratko, isključite je iz mreže, isključite napajanje.
14. Da bi se osigurala dodatna zaštita, preporučuje se u strujni krug instalirati uređaj za zadržavanje struje (RCD) s preostalom strujnom snagom ne većom od 30 mA. Obratite se profesionalnom električaru u vezi s tim.
15. Izbjegavajte da mokri radio.
16. Radio se može brisati samo suhom krpom. Nemojte koristiti vodu ili tekućine za čišćenje.
17. Za uštedu energije, ako nema zvučnog signala od gramofona / AUX IN / USB / SD za a nakon 10 minuta, uređaj će se automatski prebaciti u stanje mirovanja.
18. Radio treba čuvati u suhom prostoru.

OPIS UREĐAJA

1. Poklopac okretne ploče 23. Zaštita igle s okretnom pločom
2. LCD zaslon 24. LINE OUT priključak
3. Napajanje dioda 25. FM antenski kabel
4. Ugrađeni zvučnik 26. Kabel za napajanje
5. Tipka FUNCTION 27. STANDBY tipka

6. Tipka SLEEP / TIMER 28. Tipka PRESET / ALBUM DN
7. Priključak za slušalice 29. Gumb PRESET / ALBUM UP
8. Gumb REC / DEL 30. Priključak za SD karticu
9. Tipka MODE / CLOCK 31. Gumb MUTE
10. Tipka PLAY / PAUSE / TUNER SCAN 32. Prekidač AUTO-STOP
11. Tipka STOP / BAND 33. Gumb REC / DEL
12. Tipka SKIP DOLE 34. FM ST. dugme
13. Tipka SKIP UP 35. Gumb FUNCTION
14. AUX ulaz 36. Tipka MODE / CLOCK
15. Tipka ALBUM / PRESET DOWN 37. Tipka PLAY / PAUSE
16. Tipka ALBUM / PRESET UP 38. Gumb STOP / BAND
17. Prekidač za uključivanje / isključivanje / kontrola glasnoće 39. Gumb SKIP DOLJE
18. 45RPM adapter za disk 40. Gumb SKIP UP
19. Poluga okretno ploče 41. Gumbi VOLUME UP / DOWN
20. Okretna ruka za zaključavanje 42. USB priključak
21. Podešavanje brzine centrifuge ploče
22. Ruka okretno ploče

PODEŠAVANJE SATA

- Prije prve uporabe raspakirajte sve i uklonite sve zaštitne materijale. Odvijte kabel FM antene i kabel za napajanje. Nemojte pokrivati otvore za ventilaciju, pazite da postoji razmak od nekoliko centimetara oko radija, koji je potreban za pravilnu ventilaciju.
1. U stanju mirovanja pritisnite i držite tipku MODE / CLOCK (9, 36). "12H / 24H" će početi treperiti na zaslonu (2). Tipkama SKIP DOLJE (12, 39) i SKIP UP (13, 40) odaberite 12-satni ili 24-satni način rada i ponovno potvrdite pritiskom na tipku MODE / CLOCK (9, 36). Uređaj će ući u način uređivanja sata.
 2. Tipkama SKIP DOLJE (12, 39) i SKIP UP (13, 40) namjestite trenutni sat i potvrdite pritiskom na tipku MODE / CLOCK (9, 36). Uređaj će ući u minutu uređivanja / načina rada.
 3. Tipkama SKIP DOLJE (12, 39) i SKIP UP (13, 40) namjestite trenutnu minutu i potvrdite pritiskom na tipku MODE / CLOCK (9, 36).

FUNKCIJA TIMERA (AUTOMATSKA SHUT-OFF)

1. Kada je uređaj uključen, pritisnite tipku SLEEP / TIMER (6) odgovarajući broj puta kako biste odabrali vrijeme nakon kojeg će se uređaj isključiti (90, 80, 70 ... 10 minuta).
2. Riječ "SLEEP" na zaslonu vas obavještava da je aktivirana funkcija automatskog isključivanja.
3. Nakon isteka odabranog vremena uređaj će se isključiti i ući u stanje pripravnosti.

TIPKA FUNKCIJE (5)

Koristi se za promjenu načina rada uređaja

- PHON (način rada gramofona)
- AUX (način rada vanjskog uređaja)
- FM radio mod
- MP3 (način reprodukcije USB memorije i način reprodukcije SD kartice)
- Bluetooth način rada

SLUŠANJE RADIJA

1. Uključite uređaj pomoću tipke za uključivanje / isključivanje (17, 27) i podesite način rada s tipkom FUNCTION (5).
2. Tipkom BAND (11) postavite valnu duljinu na FM.
3. Tipkom SKIP DOWN (12, 39) i SKIP UP (13, 40) podesite željenu radio frekvenciju. Pritiskom i držanjem ovih tipki približno 1-2 sekunde automatski se traži najbliža frekvencija. Nakon što se pronađe, pretraživanje će se zaustaviti.
4. Kada pronađete frekvenciju odabrane postaje, pritisnite tipku MODE / CLOCK (9, 36) da biste spremili postaju.
5. Ponovite korake 3-4 za programiranje odabranih postaja (najviše 30 programa - FM, najviše 20 programa - AM).
6. Možete se prebacivati između spremljenih programa pomoću tipke PRESET DOWN (15) i PRESET UP (16).
7. Glasnoću možete postaviti okretanjem gumba za kontrolu glasnoće (17) ili pomoću tipki (40) na daljinskom upravljaču.
8. FM antena (24) nalazi se na stražnjoj ploči. Ako je prijem slab, pokušajte pomaknuti antenu i pronaći mjesto gdje je signal najjači. Antena AM nalazi se unutar radio prijemnika. Ako je prijem slab, pokušajte pomaknuti prijemnik na drugo mjesto ili ga okrenuti u drugom smjeru da biste uhvatili najjači signal.
9. Tipka TUNER SCAN (10) služi za automatsko pronalaženje i spremanje dostupnih radijskih postaja.

POKRETANJE MP3 datoteka s USB / SD MEMORY

OPREZ: Uređaj možda nije kompatibilan sa svim datotekama zbog razlika u kodiranju. Uređaj možda neće raditi s nekim USB / SD memorijama. Uređaj podržava USB memorije od 8 GB i SD kartice.

1. Uključite uređaj pomoću tipke ON / OFF (17, 27). Postavite USB ili SD memoriju u priključak (USB priključak - 42, SD priključak - 30)
 2. Odaberite način rada pomoću tipke FUNCTION (5, 35).
 3. Uređaj će pročitati memoriju i prikazati broj snimljenih zapisa na zaslonu. Uređaj će tada početi reprodukciju prvog zapisa.
 4. Pomoću gumba PLAY / PAUSE (10, 37) možete pauzirati i nastaviti reprodukciju zadane pjesme.
 5. Možete reproducirati prethodni ili sljedeći zapis pomoću gumba SKIP DOWN (12, 39) i SKIP UP (13, 40). Pritiskom i držanjem ovih gumba tijekom reprodukcije zapisa, premotavanje unatrag ili naprijed.
 6. Možete reproducirati prethodni ili sljedeći album pjesme pomoću tipke ALBUM DOWN (15, 28) i ALBUM UP (16, 29).
 7. Glasnoću možete postaviti okretanjem gumba za kontrolu glasnoće (17) ili pomoću tipki (40) na daljinskom upravljaču.
 8. FM antena (24) nalazi se na stražnjoj ploči. Ako je prijem slab, pokušajte pomaknuti antenu i pronaći mjesto gdje je signal najjači. Antena AM nalazi se unutar radio prijemnika. Ako je prijem slab, pokušajte pomaknuti prijemnik na drugo mjesto ili ga okrenuti u drugom smjeru da biste uhvatili najjači signal.
 9. Tipka TUNER SCAN (10) služi za automatsko pronalaženje i spremanje dostupnih radijskih postaja.
- #### POKRETANJE MP3 datoteka s USB / SD MEMORY
- OPREZ: Uređaj možda nije kompatibilan sa svim datotekama zbog razlika u kodiranju. Uređaj možda neće raditi s nekim USB / SD memorijama. Uređaj podržava USB memorije od 8 GB i SD kartice.
1. Uključite uređaj pomoću tipke ON / OFF (17, 27). Postavite USB ili SD memoriju u priključak (USB priključak - 42, SD priključak - 30)
 2. Odaberite način rada pomoću tipke FUNCTION (5, 35).
 3. Uređaj će pročitati memoriju i prikazati broj snimljenih zapisa na zaslonu. Uređaj će tada početi reprodukciju prvog zapisa.
 4. Pomoću gumba PLAY / PAUSE (10, 37) možete pauzirati i nastaviti reprodukciju zadane pjesme.
 5. Možete reproducirati prethodni ili sljedeći zapis pomoću gumba SKIP DOWN (12, 39) i SKIP UP (13, 40). Pritiskom i držanjem ovih

gumba tijekom reprodukcije zapisa, premotavanje unatrag ili naprijed.

6. Možete reproducirati prethodni ili sljedeći album pjesme pomoću tipke ALBUM DOWN (15, 28) i ALBUM UP (16, 29).

7. Tijekom reprodukcije zapisa jednom pritisnite tipku MODE / CLOCK (9, 36) kako biste aktivirali ponavljanje jednog zapisa. Ponovnim pritiskom na tipku MODE / CLOCK (9, 36) ponovit će se cijeli sadržaj USB memorije / SD kartice.

8. Prije uklanjanja USB memorije / SD kartice iz priključka najprije isključite uređaj ili ga prebacite na način rada radio, način reprodukcije gramofona ("PHON") ili način vanjskog uređaja ("AUX").

Možete reproducirati glazbene datoteke spremljene na mobilnom telefonu opremljenom Bluetooth-om za reprodukciju na radiju utičnice.

1. Uključite uređaj, pritisnite tipku „FUNCTION“ za odabir Bluetooth načina rada.
2. Aktivirajte Bluetooth vezu uređaja za reprodukciju medija. Uređaj za reprodukciju medija sada će tražiti uređaje kojima može spojiti.

3. Uređaj za reprodukciju medija trebao bi sada primiti kod uređaja CR 1168

4. Upotrijebite uređaj za reprodukciju medija za povezivanje s radiom. Da biste to učinili, na uređaju za reprodukciju medija odaberite CR 1168.

KORIŠTENJE UREĐAJA POVEZANOG KROZ AUX U UNIVERZALNOM PRIENOSU:

1. Povežite vanjski uređaj s uređajem pomoću priključka AUX IN (14).

2. Prebacite uređaj na AUX IN mod pritiskom tipke FUNCTION (5).

POKRETANJE VINILSKIH DISKA

Prije prve uporabe okretne ploče, uklonite okidač igle (23) i odvežite čvor koji štiti okretni tanjur koji se nalazi pored okretne ručice (20).

1. Otpustite bravicu (20) i namjestite uređaj u PHON način pomoću tipke FUNCTION (5, 35).

2. Postavite disk na okretnu ploču. Ako je potrebno, koristite adapter (18).

3. Pomoću prekidača (21) odaberite brzinu okretanja ploče (brzina vrtnje ovisno o vrsti diska).

4. Pomoću razine (19) podignite ručicu okretne ploče - to će aktivirati okretanje ploče s okretnom pločom. Lagano gurnite ruku na stazu koju želite slušati. Spustite ručicu igle pomoću ručice (19).

5. Glasnoću možete postaviti okretanjem gumba za kontrolu glasnoće (17) ili pomoću tipki (40) na daljinskom upravljaču.

6. Za zaustavljanje reprodukcije diska, polugom (19) podignite ručicu okretne ploče.

7. Nakon završetka reprodukcije diska podignite ručicu okretne ploče pomoću ručice okretne ploče (19). Pomaknite ruku preko brave (20) i spustite je pomoću poluge (19).

8. Za uključivanje ili isključivanje funkcije AUTO-STOP koristite prekidač AUTO-STOP (32).

SNIMANJE NA USB DISK / SD KARTICU

1. Snimanje s radija - stavite USB disk / SD karticu u odgovarajući ulaz (42 ili 30). Pritisnite gumb FUNCTION (5, 35) za odabir načina rada radija. Tipkom BAND (11) postavite valnu duljinu na AM ili FM. Tipkama SKIP DOLJE (12, 39) i SKIP UP (13, 40) podesite željenu radio frekvenciju. Pritisnite tipku REC / DEL (8, 33). U ruku od nekoliko sekundi uređaj će pročitati dostupne USB / SD memorijske medije.

Tipkama SKIP DOLJE (12, 39) i SKIP UP (13, 40) odaberite želite li snimati na USB memoriju ili SD karticu. Potvrdite ponovno pritiskom na tipku REC / DEL (8, 33). Nakon nekoliko sekundi uređaj će snimiti u odabranu prijenosnu memoriju (ako je spojena samo USB memorija ili SD kartica, prvi pritisak na tipku REC / DEL će aktivirati snimanje nakon nekoliko sekundi). Tijekom snimanja trepće ikona REC. Za zaustavljanje snimanja pritisnite tipku STOP / BAND (11, 38).

OPREZ: Aktivacija postupka snimanja s radija će se pojaviti s odgodom od nekoliko sekundi. Tijekom snimanja radija mogu postojati smetnje / šumovi.

2. Snimanje s vinilne ploče - postavite USB disk / SD karticu u odgovarajući priključak (42 ili 30). Pritisnite gumb FUNCTION (5, 35) za odabir načina rada "PHON". Stavite vinilni disk na ploču i započnite reprodukciju zapisa koji želite snimiti postavljanjem okretne ploče na odgovarajuće mjesto. Preostali koraci su identični onome snimanja s radija.

3. Snimanje s vanjskog uređaja (AUX način) - postavite USB disk / SD karticu u odgovarajući priključak (42 ili 30). Pritisnite gumb FUNCTION (5, 35) za odabir načina "AUX". Spojite vanjski uređaj na AUX IN ulaz (14) i odaberite zapis koji želite snimiti s vanjskog uređaja. Preostali koraci su identični onome snimanja s radija.

Brisanje zapisa s USB diska / SD kartice

Brisanje jedne snimke - postavite USB disk / SD karticu u odgovarajući ulaz (42 ili 30). Odaberite pjesmu koju želite izbrisati pomoću gumba SKIP DOWN (12, 39) i SKIP UP (13, 40) i započnite reprodukciju. Pritisnite i zadržite tipku REC / DEL (8, 33) približno 3 sekunde.

ČIŠĆENJE I ODRŽAVANJE

1. Isključite uređaj iz napajanja.

2. Uređaj se smije brisati samo suhom krpom.

3. Uređaj treba čuvati u suhom prostoru.

OPREZ: Nemojte koristiti vodu za čišćenje - to može oštetiti uređaj.

TEHNIČKI PODACI

Izvor napajanja: 230V ~ 50Hz

RMS izlazna snaga: 2x 1.5W



Vodimo brigu o prirodnom okolišu. Kartonsku ambalažu molimo prenijeti na otpadni papir. Polietilen (PE) vreće bacati u kontejner za plastiku. Istrošena oprema treba biti premještena na prikladno mjesto za pohranu, jer sadrže u uređaju opasne tvari mogu predstavljati opasnost za okoliš. Električni uređaj mora biti predat u takvom stanju da se smanji mogućnost njegove ponovne upotrebe. Ako vaš uređaj ima baterije, treba njih ukloniti i predati na mjesto za pohranu odvojeno.

TURVALLISUUSOLOSUHTEET TÄRKEITÄ KÄYTTÖOHJEITA KÄYTTÖOHJEET LUE HUOLELLISESTI JA SÄILYTTÄMISEKSI TULEVAISUUDESTA.

Takuuehdot ovat erilaiset, jos laitetta käytetään kaupalliseen tarkoitukseen.

1. Lue ennen tuotteen käyttöä huolellisesti ja noudata aina seuraavia ohjeita. Valmistaja ei ole vastuussa vahingoista, jotka johtuvat väärinkäytöstä.
2. Tuotetta saa käyttää vain sisätiloissa. Älä käytä tuotetta mihinkään tarkoitukseen, joka ei ole yhteensopiva sen kanssa.
3. Sovellettava jännite on 230 V, ~ 50 Hz. Turvallisuussyistä ei ole tarkoituksenmukaista kytkeä useita laitteita yhteen pistorasiiaan.
4. Ole varovainen, kun käytät lapsia. Älä anna lasten leikkiä tuotteen kanssa. Älä anna lasten tai henkilöiden, jotka eivät tunne laitetta, käyttää sitä ilman valvontaa.
5. VAROITUS: Tätä laitetta voivat käyttää yli 8-vuotiaat lapset ja henkilöt, joilla on heikentynyt fyysinen, aistillinen tai henkinen kyky, tai henkilöt, joilla ei ole kokemusta tai tietoa laitteesta, vain heidän turvallisuudestaan vastaavan henkilön valvonnassa, tai jos heille annettiin ohjeita laitteen turvallisesta käytöstä ja ovat tietoisia sen käyttöön liittyvistä vaaroista. Lapset eivät saa leikkiä laitteen kanssa. Lapset eivät saa puhdistaa ja huoltaa laitetta, elleivät ne ole yli 8-vuotiaita, ja nämä toimet toteutetaan valvonnan alaisina.
6. Kun olet lopettanut tuotteen käytön, muista aina irrottaa pistoke varovasti pistorasiasta, jossa pistorasia on kädellä. Älä koskaan vedä virtajohtoa !!!
7. Älä koskaan aseta virtajohtoa, pistoketta tai koko laitetta veteen. Älä koskaan altista tuotetta ilmakehän olosuhteille, kuten suoralle auringonvalolle tai sateelle, jne. Älä koskaan käytä tuotetta kosteissa olosuhteissa.
8. Tarkista säännöllisesti virtajohtojen kunto. Jos virtajohto on vaurioitunut, tuote tulee vaihtaa ammattikäyttöön, jotta se voidaan vaihtaa vaarallisten tilanteiden välttämiseksi.
9. Älä koskaan käytä tuotetta vaurioituneella virtakaapelilla tai jos se on pudonnut tai vahingoittunut muulla tavalla tai jos se ei toimi kunnolla. Älä yritä korjata viallista tuotetta itse, koska se voi aiheuttaa sähköiskun. Käännä vaurioitunut laite aina ammattikäyttöön, jotta se voidaan korjata. Kaikki korjaukset voivat tehdä vain valtuutetut huoltoalan ammattilaiset. Väärin tehty korjaus voi aiheuttaa käyttäjälle vaarallisia tilanteita.
10. Älä koskaan laita tuotetta kuumiin tai lämpimiin pintoihin tai keittiökoneisiin, kuten uuniin tai kaasupolttimeen.
11. Älä koskaan käytä tuotetta lähellä palavia aineita.
12. Älä anna kaapelin roikkua laskurin reunan yli tai kosketa kuumia pintoja.
13. Älä koskaan jätä laitetta virtalähteeseen ilman valvontaa. Vaikka käyttö keskeytetään lyhyeksi ajaksi, katkaise se verkosta, irrota virtajohto.
14. Lisää suojausta varten on suositeltavaa asentaa virtapiiriin jäännösvirtauslaite (RCD), jonka jäännösvirta on enintään 30 mA. Ota yhteyttä ammattilaiseen sähköasentajaan.
15. Vältä radion kastumista.
16. Radio voidaan pyyhkiä vain kuivalla liinalla. Älä käytä vettä tai puhdistusnesteitä.
17. Jos haluat säästää energiaa, jos äänentoistoa ei ole levysoittimesta / AUX IN / USB / SD:stä a
yli 10 minuutin ajan, laite siirtyy automaattisesti valmiustilaan.
18. Radio on säilytettävä kuivassa huoneessa.

LAITTEEN KUVAUS

1. Kääntöpöydän kansi 23. Kääntöpöydän neulansuoja
2. LCD-näyttö 24. LINE OUT -liitäntä
3. Virta-diodi 25. FM-antennikaapeli
4. Sisäänrakennettu kaiutin 26. Virtajohto
5. FUNCTION-painike 27. STANDBY-painike
6. SLEEP / TIMER-painike 28. PRESET / ALBUM DN -painike
7. Kuulokeporthi 29. PRESET / ALBUM UP -painike
8. REC / DEL-painike 30. SD-korttiporthi
9. MODE / CLOCK-painike 31. MUTE-painike

10. PLAY / PAUSE / TUNER SCAN -painike 32. AUTO-STOP-kytkin
11. STOP / BAND-painike 33. REC / DEL-painike
12. SKIP DOWN -painike 34. FM ST. nappi
13. SKIP UP -painike 35. FUNCTION-painike
14. AUX-portti 36. MODE / CLOCK-painike
15. ALBUM / PRESET DOWN -näppäin 37. PLAY / PAUSE-painike
16. ALBUM / PRESET UP -painike 38. STOP / BAND-painike
17. ON / OFF-kytkin / äänenvoimakkuuden säätö 39. SKIP DOWN -painike
18. 45RPM-levyn sovitin 40. SKIP UP -painike
19. Kääntöpöydän vipu 41. VOLUME UP / DOWN-painikkeet
20. Levysoitinvarren lukitus 42. USB-portti
21. Levyn pyörimisnopeuden säätö
22. Levysoitinvarsi

KELLON ASETUS

Poista kaikki pakkaukset ennen ensimmäistä käyttöä ja poista kaikki suojaavat materiaalit. Avaa FM-antennikaapeli ja virtajohto. Älä peitä ilmanvaihtoaukkoja, varmista, että radion ympärillä on muutaman senttimetrin etäisyys, jota tarvitaan kunnollisen ilmanvaihdon varmistamiseksi.

1. Paina valmiustilassa MODE / CLOCK-painiketta (9, 36) ja pidä sitä painettuna. '12H / 24H' alkaa vilkkua näytössä (2). Valitse SKIP DOWN -painikkeella (12, 39) ja SKIP UP -painikkeella (13, 40) joko 12 tunnin tai 24 tunnin tila ja vahvista painamalla MODE / CLOCK-painiketta uudelleen (9, 36). Laitte siirtyy tunnin muokkaustilaan.
2. Aseta nykyinen tunti SKIP DOWN -näppäimellä (12, 39) ja SKIP UP -painikkeella (13, 40) ja vahvista painamalla MODE / CLOCK-painiketta (9, 36). Laitte siirtyy minuutin muokkaukseen / tilaan.
3. Aseta nykyinen minuutti SKIP DOWN -painikkeella (12, 39) ja SKIP UP (13, 40) ja vahvista painamalla MODE / CLOCK-painiketta (9, 36).

AJASTIN TOIMINTA (AUTOMATIC SHUT-OFF)

1. Kun laite on kytketty päälle, paina SLEEP / TIMER-painiketta (6) sopivan määrän kertoja valitaksesi ajan, jonka kuluttua laite kytkeytyy pois päältä (90, 80, 70 ... 10 minuuttia).
2. Näytössä oleva sana "SLEEP" ilmoittaa, että automaattinen sammuustoiminto on käytössä.
3. Kun valittu aika on kulunut, laite sammuu ja siirtyy valmiustilaan.

TOIMINTA-NÄPPÄIN (5)

Käytetään laitteen käyttötilan muuttamiseen

- PHON (levysoittimen toimintatila)
- AUX (ulkoisen laitteen toimintatila)
- FM-radiotila
- MP3 (USB-muistin toistotila ja SD-kortin toistotila)
- Bluetooth-tila

KUUNNELLA RADIOTA

1. Kytke laite päälle ON / OFF-painikkeella (17, 27) ja aseta radiotila FUNCTION-painikkeella (5).
2. Aseta BAND-painikkeella (11) aallonpituus FM: lle.
3. Virittä haluttu radiotaajuus käyttämällä SKIP DOWN -painiketta (12, 39) ja SKIP UP -painiketta (13, 40). Näiden painikkeiden painaminen noin 1-2 sekunnin ajan etsii automaattisesti lähimmän taajuuden. Kun se on löydetty, haku pysähtyy.
4. Kun valitun aseman taajuus löytyy, tallenna asema painamalla MODE / CLOCK-painiketta (9, 36).
5. Toista vaiheet 3-4 ohjelmoidaksesi valitut asemat (enintään 30 ohjelmaa - FM, enintään 20 ohjelmaa - AM).
6. Voit vaihtaa tallennettujen ohjelmien välillä painamalla PRESET DOWN-painiketta (15) ja PRESET UP -painiketta (16).
7. Voit säätää äänenvoimakkuutta kääntämällä äänenvoimakkuuden säätönuppia (17) tai käyttämällä kaukosäätimen painikkeita (40).
8. FM-antenni (24) sijaitsee takapaneelissa. Jos vastaanotto on huono, yritä siirtää antennia ja löytää paikka, jossa signaali on voimakkein. AM-antenni sijaitsee radiovastaanottimen sisällä. Jos vastaanotto on huono, yritä siirtää vastaanotin toiseen paikkaan tai kääntää se toiseen suuntaan saadaksesi vahvimman signaalin.

9. TUNER SCAN -painiketta (10) käytetään automaattisesti etsimään ja tallentamaan käytettävissä olevia radioasemia.

MP3-TIEDOSTOJEN TOISTUMINEN USB / SD-MUISTILA

VAROITUS: Laitte ei välttämättä ole yhteensopiva kaikkien tiedostojen kanssa koodauserojen vuoksi. Laitte ei ehkä toimi joidenkin USB / SD-muistien kanssa. Laitte tukee 8 Gt: n USB-muistia ja SD-kortteja.

1. Kytke soitin päälle ON / OFF-painikkeella (17, 27). Aseta USB- tai SD-muisti porttiin (USB-portti - 42, SD-portti - 30)
2. Valitse tila FUNCTION-painikkeella (5, 35).
3. Laitte lukee muistin ja näyttää näytössä olevien tallennettujen raitojen määrän. Laitte aloittaa sitten ensimmäisen kappaleen toiston.
4. Voit keskeyttää ja jatkaa tietyn raidan toistoa PLAY / PAUSE-painikkeella (10, 37).
5. Voit toistaa edellisiä tai seuraavia kappaleita käyttämällä SKIP DOWN -painiketta (12, 39) ja SKIP UP -painiketta (13, 40). Näiden painikkeiden painaminen ja pitäminen raidan toiston aikana tekee siitä taaksepäin tai eteenpäin.
6. Voit toistaa edellisen tai seuraavan kappaleen albumin ALBUM DOWN -painikkeella (15, 28) ja ALBUM UP -painikkeella (16, 29).

7. Voit säätää äänenvoimakkuutta kääntämällä äänenvoimakkuuden säätönuppia (17) tai käyttämällä kaukosäätimen painikkeita (40).

8. FM-antenni (24) sijaitsee takapaneelissa. Jos vastaanotto on huono, yritä siirtää antennia ja löytää paikka, jossa signaali on voimakkein. AM-antenni sijaitsee radiovastaanottimen sisällä. Jos vastaanotto on huono, yritä siirtää vastaanotin toiseen paikkaan tai kääntää se toiseen suuntaan saadaksesi vahvimman signaalin.

9. TUNER SCAN -painiketta (10) käytetään automaattisesti etsimään ja tallentamaan käytettävissä olevia radioasemia.

MP3-TIEDOSTOJEN TOISTUMINEN USB / SD-MUISTILA

VAROITUS: Laitte ei välttämättä ole yhteensopiva kaikkien tiedostojen kanssa koodauserojen vuoksi. Laitte ei ehkä toimi joidenkin USB / SD-muistien kanssa. Laitte tukee 8 Gt: n USB-muistia ja SD-kortteja.

1. Kytke soitin päälle ON / OFF-painikkeella (17, 27). Aseta USB- tai SD-muisti porttiin (USB-portti - 42, SD-portti - 30)
2. Valitse tila FUNCTION-painikkeella (5, 35).
3. Laitte lukee muistin ja näyttää näytössä olevien tallennettujen raitojen määrän. Laitte aloittaa sitten ensimmäisen kappaleen toiston.
4. Voit keskeyttää ja jatkaa tietyn raidan toistoa PLAY / PAUSE-painikkeella (10, 37).
5. Voit toistaa edellisiä tai seuraavia kappaleita käyttämällä SKIP DOWN -painiketta (12, 39) ja SKIP UP -painiketta (13, 40). Näiden painikkeiden painaminen ja pitäminen raidan toiston aikana tekee siitä taaksepäin tai eteenpäin.

6. Voit toistaa edellisen tai seuraavan kappaleen albumin ALBUM DOWN -painikkeella (15, 28) ja ALBUM UP -painikkeella (16, 29).
7. Paina kappaleen toiston aikana MODE / CLOCK-painiketta (9, 36) yhden raidan toiston aktivoimiseksi. MODE / CLOCK-painikkeen (9, 36) painaminen toistaa uudelleen koko USB-muistin / SD-kortin sisällön.
8. Ennen kuin poistat USB-muistin / SD-kortin portista, katkaise soittimesta virta tai vaihda se radiotilaan, levysoittimen toistotilaan ('PHON') tai ulkoiseen laitteeseen ('AUX').

Voit toistaa musiikkiedostoja, jotka on tallennettu matkapuhelimella, joka on varustettu Bluetooth-laitteella, toistoa varten pistorasiaan.

1. Kytke laite päälle ja valitse Bluetooth-tila painamalla FUNCTION-painiketta.
2. Aktivoi median toistolaitteen Bluetooth-yhteys. Median toistolaitte etsii nyt laitteita, joihin se voi kytkeä.
3. Median toistolaitteen pitäisi nyt vastaanottaa laitteen koodi CR 1168
4. Yhdistä radio radion toistolaitteeseen. Voit tehdä tämän valitsemalla mediatoistolaitteessa CR 1168.

AUX-KYTKENTÄ KOSKEVAN LAITTEEN KÄYTTÄMINEN UNIVERSAL-ENTRY PORT:

1. Liitä ulkoinen laite soittimeen AUX IN -portin (14) avulla.
2. Kytke soitin AUX IN -tilaan painamalla FUNCTION-painiketta (5).

Vinyylilevyjen toisto

Irrota kääntöpöydän neulansuojus (23) ennen kääntöpöydän ensimmäistä käyttöä ja irrota kääntöpöydän varren lukitus (20) vieressä oleva solmu.

1. Vapautaa varren lukitus (20) ja aseta laite PHON-tilaan FUNCTION-painikkeella (5, 35).
2. Aseta levy kääntöpöydälle. Käytä tarvittaessa sovitinta (18).
3. Valitse levyn pyörimisnopeus (kierrosluvu levyn tyypistä riippuen) kytkimellä (21).
4. Kun tasoa (19) käytetään, nosta kääntöpöytä - tämä aktivoi levyn kääntämisen levysoittimen kanssa. Työnä varsi varovasti radalle, jota haluat kuunnella. Laske neulan varsi vipulla (19).
5. Voit säätää äänenvoimakkuutta kääntämällä äänenvoimakkuuden säädintä (17) tai käyttämällä kaukosäätimen painikkeita (40).
6. Jos haluat lopettaa levyn toiston, nosta kääntöpöytävarsi vipulla (19).
7. Levyn toiston päätyttyä nosta kääntöpöytävarsi kääntöpöydän vipulla (19). Siirrä varsi lukon (20) päälle ja laske se vipulla (19).
8. Kytke AUTO-STOP-toiminto päälle tai pois päältä AUTO-STOP-kytkimellä (32).

2499/5000

TALLENNUS USB-LEVY / SD-KORTTIA

1. Tallennus radiosta - aseta USB-levy / SD-kortti sopivaan porttiin (42 tai 30). Paina FUNCTION-painiketta (5, 35) valitaksesi radiotilan. Aseta BAND-painikkeen (11) avulla aallonpituus AM tai FM. Käytä SKIP DOWN -näppäintä (12, 39) ja SKIP UP -painiketta (13, 40) viritettäväksi haluttuun radiotaajuuteen. Paina REC / DEL-painiketta (8, 33). Muutaman sekunnin kuluessa laite lukee käytettävissä olevan USB / SD-muistin. Valitse SKIP DOWN -painikkeella (12, 39) ja SKIP UP -painikkeella (13, 40), haluatko tallentaa USB-muistiin tai SD-korttiin. Vahvasta painamalla REC / DEL-painiketta (8, 33) uudelleen. Muutaman sekunnin kuluttua laite tallentaa valitulle kannettavalle muistille (jos vain USB-muisti tai SD-kortti on kytketty, REC / DEL-painikkeen ensimmäinen painallus aktivoi tallennustoiminnon muutaman sekunnin kuluttua). REC-kuvake vilkkuu tallennuksen aikana. Tallennuksen lopettamiseksi paina STOP / BAND-painiketta (11, 38).
- VAROITUS: Radion tallennusprosessin aktivointi tapahtuu usean sekunnin viiveellä. Radiotallennuksen aikana voi olla häiriöitä / kohinaa.
2. Tallennus vinyyliekikosta - aseta USB-levy / SD-kortti sopivaan porttiin (42 tai 30). Paina FUNCTION-painiketta (5, 35) valitaksesi PHON-tilan. Aseta vinyylilevy levyille ja aloita sen kappaleen toisto, jonka haluat tallentaa asettamalla kääntöpöydän varren sopivaan kohtaan. Jäljellä olevat vaiheet ovat samat kuin radiosta.
3. Tallennus ulkoisesta laitteesta (AUX-tila) - aseta USB-levy / SD-kortti sopivaan porttiin (42 tai 30). Paina FUNCTION-painiketta (5, 35) valitaksesi AUX-tilan. Liitä ulkoinen laite AUX IN -porttiin (14) ja valitse raita, jonka haluat tallentaa ulkoisesta laitteesta. Jäljellä olevat vaiheet ovat samat kuin radiosta.

TRACKIEN POISTAMINEN USB-LEVY / SD-KARTTA

Yhden tallennuksen poistaminen - aseta USB-levy / SD-kortti sopivaan porttiin (42 tai 30). Valitse poistettava raita käyttämällä SKIP DOWN -painiketta (12, 39) ja SKIP UP -painiketta (13, 40) ja aloita toisto. Paina REC / DEL-painiketta (8, 33) noin 3 sekunnin ajan.

PUHDISTUS JA HUOLTO

1. Irrota laite verkkovirrasta.
 2. Laite voidaan pyyhkiä vain kuivalla liinalla.
 3. Laite on säilytettävä kuivassa huoneessa.
- VAROITUS: Älä käytä puhdistukseen vettä - tämä voi vahingoittaa laitetta.

TEKNISET TIEDOT

Virtalähde: 230V ~ 50Hz

RMS-lähtöteho: 2x 1,5W



Kantakaamme huolta ympäristöstä. Pahvipakkauksen pyydämme laittamaan paperikierrätykseen. Polyeteenipussit (PE) tulee laittaa muovien kierrätysastiaan. Loppuun käytetyt laitteet tulee toimittaa asianmukaiseen keräyspisteeseen, koska laitteen sisältämät vaaralliset aineosat voivat olla ympäristölle vahingollisia. Sähkölaite tulee toimittaa siten, että sen uudelleenkäyttö on estetty. Jos laitteessa on paristo, paristo tulee poistaa ja toimittaa erillisesti keräyspisteeseen.

SÄKERHETSVILLKOR VIKTIGA INSTRUKTIONER FÖR ANVÄNDNINGSAKERHET LÄS SÄKERHET LÄGGANDE OCH HÅLL FÖR FRAMTIDA REFERENS

Garantivillkoren är olika, om enheten används för kommersiellt ändamål.

1. Innan du använder produkten läs noggrant och följ alltid följande instruktioner. Tillverkaren ansvarar inte för skador på grund av felaktig användning.
2. Produkten får endast användas inomhus. Använd inte produkten för något ändamål som inte är kompatibelt med dess tillämpning.
3. Den aktuella spänningen är 230V, ~ 50Hz. Av säkerhetsskäl är det inte lämpligt att ansluta flera enheter till ett vägguttag.
4. Var försiktig när du använder runt barn. Låt inte barnen leka med produkten. Låt inte barn eller personer som inte känner till enheten använda den utan tillsyn.
5. VARNING: Den här enheten kan användas av barn över 8 år och personer med nedsatt fysisk, sensorisk eller mental förmåga, eller personer utan erfarenhet eller kunskap om enheten, endast under överinseende av en person som ansvarar för deras säkerhet, eller om de fick instruktioner om säker användning av enheten och är medvetna om de faror som är förknippade med dess funktion. Barn ska inte leka med enheten. Rengöring och underhåll av apparaten ska inte utföras av barn, såvida de inte är över 8 år och dessa aktiviteter utförs under tillsyn.
6. När du är färdig med att använda produkten, kom alltid ihåg att försiktigt ta bort kontakten från eluttaget som håller uttaget med handen. Dra aldrig strömkabeln !!!
7. Anslut aldrig strömkabeln, kontakten eller hela enheten i vattnet. Utsätt aldrig produkten för atmosfäriska förhållanden som direkt solljus eller regn etc. Använd aldrig produkten under fuktiga förhållanden.
8. Kontrollera alltid strömkabelns tillstånd. Om strömkabeln är skadad ska produkten vändas till en professionell serviceplats som ska bytas ut för att undvika farliga situationer.
9. Använd aldrig produkten med en skadad strömkabel eller om den tappades eller skadades på något annat sätt eller om det inte fungerar ordentligt. Försök inte reparera den defekta produkten själv eftersom det kan leda till elektrisk stöt. Vänd alltid den skadade enheten till en professionell serviceplats för att reparera den. Alla reparationer kan endast utföras av auktoriserade servicepersonal. Den reparation som gjordes felaktigt kan orsaka farliga situationer för användaren.
10. Använd aldrig produkten på eller nära de varma eller varma ytorna eller köksutrustning som den elektriska ugnen eller gasbrännaren.
11. Använd aldrig produkten nära brännbara ämnen.
12. Låt inte ledningen hänga över kanten av räknaren eller vidröra heta ytor.
13. Lämna aldrig produkten ansluten till strömkällan utan tillsyn. Även om användningen avbryts under en kort stund, stäng av den från nätverket, koppla ur strömmen.
14. För att ge ytterligare skydd rekommenderas att man installerar återstartsströmsenhet (RCD) i strömkretsen, med återstående strömstyrka inte över 30 mA. Kontakta professionell elektriker i denna fråga.
15. Undvik att få radion våt.
16. Radion får bara torkas med en torr trasa. Använd inte vatten eller rengöringsmedel.
17. För att spara energi, om det inte finns någon ljudsignal från Turntable / AUX IN / USB / SD för a
- en period på över 10 minuter, växlar enheten automatiskt till standby-läge.
18. Radion ska hållas i ett torrt rum.

BESKRIVNING AV ENHETEN

1. Skivbordsskyddet 23. Skivbordsskyddsskyddet
2. LCD-skärm 24. LINE OUT-uttag
3. Effektdiod 25. FM-antennkabel
4. Inbyggd högtalare 26. Nätsladd
5. FUNKTION-knapp 27. STANDBY-knapp
6. SLEEP / TIMER-knappen 28. PRESET / ALBUM DN-knappen

7. Hörlurarport 29. PRESET / ALBUM UP-knappen
8. REC / DEL-knapp 30. SD-kortport
9. MODE / CLOCK-knapp 31. MUTE-knapp
10. PLAY / PAUSE / TUNER SCAN-knapp 32. AUTO-STOP-brytare
11. STOP / BAND-knapp 33. REC / DEL-knapp
12. SKIP DOWN knappen 34. FM ST. knapp
13. SKIP UP-knappen 35. FUNKTION-knapp
14. AUX-port 36. MODE / CLOCK-knapp
15. ALBUM / PRESET DOWN-knapp 37. PLAY / PAUSE-knapp
16. ALBUM / PRESET UP-knapp 38. STOP / BAND-knapp
17. PA / AV-knapp / volymkontroll 39. SKIP DOWN-knappen
18. 45 RPM-skivadapter 40. SKIP UP-knappen
19. Vridplatta 41. VOLUME UPP / NER knapparna
20. Armaturlås 42. USB-port
21. Inställning av snurrhastighetshastighet
22. Turntable arm

INSTÄLLNING AV KLOCKAN

Innan du börjar använda, packa upp allt och ta bort alla skyddsmaterial. Koppla ur FM-antennkabeln och strömkabeln. Täck inte över ventilationshålen, se till att det finns en lucka på några centimeter runt radion, vilket krävs för korrekt ventilation.

1. I vänteläge, tryck och håll ned MODE / CLOCK-knappen (9, 36). "12H / 24H" börjar blinka på displayen (2). Med knappen SKIP DOWN (12, 39) och SKIP UP (13, 40) väljer du antingen 12-timmars- eller 24-timmarsläget och bekräftar med knappen MODE / CLOCK igen (9, 36). Enheten kommer att gå in i tidsredigeringsläget.
2. Ställ in aktuell timme med knappen SKIP DOWN (12, 39) och SKIP UP (13, 40) och bekräfta med MODE / CLOCK-knappen (9, 36). Enheten kommer att gå in i minutredigeringen / läget.
3. Ställ in den aktuella minuten och bekräfta med knappen MODE / CLOCK (9, 36) med knappen SKIP DOWN (12, 39) och SKIP UP (13, 40).

TIMERFUNKTION (AUTOMATISK SHUT-OFF)

1. När enheten är påslagen, tryck på SLEEP / TIMER-knappen (6) lämpligt antal gånger för att välja den tid efter vilken enheten ska stängas av (90, 80, 70 ... 10 minuter).
2. Ordet "SLEEP" på displayen informerar dig om att den automatiska avstängningsfunktionen är aktiverad.
3. När den valda tiden har förflutit stängs enheten av och går in i vänteläge.

FUNKTIONSKNAPP (5)

Används för att ändra enhetens funktionsläge

- PHON (skivoperatörsläge)
- AUX (externt enhetsläge)
- FM-radioläge
- MP3 (USB-minne uppspelningsläge och SD-kort uppspelningsläge)
- Bluetooth-läge

LYSSNAR PÅ RADIO

1. Slå på enheten med knappen ON / OFF (17, 27) och ställ in radioläget med FUNCTION-knappen (5).
2. Använd BAND-knappen (11) för att ställa in våglängden till FM.
3. Ställ in önskad radiofrekvens med hjälp av SKIP DOWN-knappen (12, 39) och SKIP UP-knappen (13, 40). Om du trycker på och håller ned dessa knappar i ungefär 1-2 sekunder söker du automatiskt efter närmaste frekvens. Efter att den hittats kommer sökning att sluta.
4. När frekvensen för vald station hittas, tryck på MODE / CLOCK-knappen (9, 36) för att spara stationen.
5. Upprepa steg 3-4 för att programmera valda stationer (högst 30 program - FM, maximalt 20 program - AM).
6. Du kan byta mellan sparade program med hjälp av PRESET DOWN knappen (15) och PRESET UP-knappen (16).
7. Du kan ställa in volymen genom att vrida volymkontrollknappen (17) eller med knapparna (40) på fjärrkontrollen.
8. FM-antennen (24) är placerad på bakpanelen. Om mottagningen är dålig, försök att flytta antennen och hitta en plats där signalen är starkast.

AM-antennen är placerad inuti radiomottagaren. Om mottagningen är dålig, försök flytta mottagaren till en annan plats eller vrid den i en annan riktning för att få den starkaste signalen.

9. TUNER SCAN-knappen (10) används för att automatiskt hitta och spara tillgängliga radiostationer.

AVSPELNING AV MP3 FILER FRÅN USB / SD MEMORY

VARNING: Enheten kanske inte är kompatibel med alla filer på grund av kodningsskillnader. Enheten kanske inte fungerar med några USB / SD-minnen. Enheten stöder 8 GB USB-minnen och SD-kort.

1. Slå på spelaren med knappen ON / OFF (17, 27). Placera USB- eller SD-minnet i porten (USB-port - 42, SD-port - 30)
2. Välj läget med knappen FUNCTION (5, 35).
3. Enheten läser minnet och visar antalet inspelade spår på displayen. Enheten börjar sedan spela upp det första spåret.
4. Du kan pausa och återuppta uppspelning av det angivna spåret med PLAY / PAUSE-knappen (10, 37).
5. Du kan spela upp föregående eller nästa spår med knappen SKIP DOWN (12, 39) och SKIP UP-knappen (13, 40). Om du trycker på och håller ned dessa knappar under uppspelning av ett spår kommer det att spola tillbaka eller spola framåt.
6. Du kan spela upp föregående eller nästa spåralbum med ALBUM DOWN-knappen (15, 28) och ALBUM UP-knappen (16, 29).
7. Du kan ställa in volymen genom att vrida volymkontrollknappen (17) eller med knapparna (40) på fjärrkontrollen.
8. FM-antennen (24) är placerad på bakpanelen. Om mottagningen är dålig, försök att flytta antennen och hitta en plats där signalen är starkast.

AM-antennen är placerad inuti radiomottagaren. Om mottagningen är dålig, försök flytta mottagaren till en annan plats eller vrid den i en annan riktning för att få den starkaste signalen.

9. TUNER SCAN-knappen (10) används för att automatiskt hitta och spara tillgängliga radiostationer.

AVSPELNING AV MP3 FILER FRÅN USB / SD MEMORY

VARNING: Enheten kanske inte är kompatibel med alla filer på grund av kodningsskillnader. Enheten kanske inte fungerar med några USB / SD-minnen. Enheten stöder 8 GB USB-minnen och SD-kort.

1. Slå på spelaren med knappen ON / OFF (17, 27). Placera USB- eller SD-minnet i porten (USB-port - 42, SD-port - 30)
2. Välj läget med knappen FUNCTION (5, 35).
3. Enheten läser minnet och visar antalet inspelade spår på displayen. Enheten börjar sedan spela upp det första spåret.

4. Du kan pausa och återuppta uppspelning av det angivna spåret med PLAY / PAUSE-knappen (10, 37).
5. Du kan spela upp föregående eller nästa spår med knappen SKIP DOWN (12, 39) och SKIP UP-knappen (13, 40). Om du trycker på och håller ned dessa knappar under uppspelning av ett spår kommer det att spola tillbaka eller spola framåt.
6. Du kan spela upp föregående eller nästa spåralbum med ALBUM DOWN-knappen (15, 28) och ALBUM UP-knappen (16, 29).
7. Under uppspelning av ett spår trycker du en gång på MODE / CLOCK-knappen (9, 36) för att aktivera upprepning av ett spår. Om du trycker på MODE / CLOCK-knappen (9, 36) igen upprepas hela innehållet i USB-minnet / SD-kortet.
8. Innan du tar bort USB-minnet / SD-kortet från porten stänger du först av spelaren eller växlar den till radioläge, skivtillstånd för skivspelare ("PHON") eller externt läge ("AUX").

Du kan spela upp musikfiler som sparas på en mobiltelefon som är utrustad med Bluetooth, för uppspelning på strömuttaget.

1. Slå på enheten, tryck på "FUNCTION" -knappen för att välja Bluetooth-läge.
2. Aktivera Bluetooth-anslutningen för medieuppspelningsenheten. Medieuppspelningsenheten söker nu efter enheter som den kan ansluta.
3. Medieuppspelningsenheten ska nu ta emot enhetskoden CR 1168
4. Använd medieuppspelningsenheten för att ansluta till radion. För att göra detta, välj CR 1168 på medieuppspelningsenheten.

ANVÄNDNING AV EN APPARAT ANSLUTAD GENOM AUX IN UNIVERSAL ENTRY PORT:

1. Anslut den externa enheten till spelaren via AUX IN-porten (14).
2. Växla spelaren till AUX IN-läget genom att trycka på FUNCTION-knappen (5).

AVSPELNING AV VINYL DISCS

Före första användningen av skivspelaren, ta bort skivbultens nålskydd (23) och lossa knuten som skyddar skivbromsarmen som finns bredvid skivbordsarmslåset (20).

1. Släpp armlåset (20) och ställ in enheten i PHON-läget med hjälp av FUNCTION-knappen (5, 35).
2. Placera skivan på skivspelarens platta. Använd vid behov adapteren (18).
3. Välj plattans rotationshastighet (rotationshastigheten beroende på typ av skiva) med hjälp av strömbrytaren (21).
4. Lyft vridplattan med hjälp av nivån (19) - detta aktiverar vridningen av plattan med skivspelarens skiva. Skjut försiktigt armen på banan du vill lyssna på. Sänk nålarmen med spaken (19).
5. Du kan ställa in volymen genom att vrida volymkontrollknappen (17) eller med knapparna (40) på fjärrkontrollen.
6. För att stoppa uppspelningen av skivan, lyft vreds skivan med spaken (19).
7. Efter avslutad uppspelning av skivan lyfter du skivspelaren med vredet (19). Flytta armen över låset (20) och sänk den med spaken (19).
8. Aktivera eller inaktivera AUTO-STOP-funktionen med AUTO-STOP-omkopplaren (32).

INSPELNING PÅ EN USB DISC / SDCARD

1. Spela in från radion - Placera USB-skivan / SD-kortet i lämplig port (42 eller 30). Tryck på FUNCTION-knappen (5, 35) för att välja radioläge. Med BAND-knappen (11) ställer du in våglängden till AM eller FM. Använd knappen SKIP DOWN (12, 39) och SKIP UP (13, 40) till önskad radiofrekvens. Tryck på REC / DEL-knappen (8, 33). Inom några sekunder läser enheten det tillgängliga USB / SD-minnet. Med knappen SKIP DOWN (12, 39) och SKIP UP (13, 40) väljer du om du vill spela in till USB-minnet eller SD-kortet. Bekräfta genom att trycka på REC / DEL-knappen (8, 33) igen. Efter några sekunder kommer enheten att spela in i det valda bärbara minnet (om bara USB-minnet eller SD-kortet är anslutet, aktiverar den första knappen på REC / DEL-knappen inspelningsfunktionen efter några sekunder). REC-ikonen blinkar under inspelningen. För att stoppa inspelningen, tryck på STOP / BAND-knappen (11, 38).

WARNING: Aktiveringen av inspelningsprocessen från radion kommer att ske med flera sekunder fördröjning. Det kan finnas störningar / brus vid radioinspelning.

2. Spela in från en vinylskiva - sätt in USB-skivan / SD-kortet i lämplig port (42 eller 30). Tryck på knappen FUNCTION (5, 35) för att välja "PHON" -läget. Placera vinylskivan på plattan och börja spela upp det spår du vill spela in genom att placera skivspelaren på lämplig plats. De återstående stegen är identiska med inspelningen från radion.
3. Spela in från en extern enhet (AUX-läge) - Placera USB-skivan / SD-kortet i lämplig port (42 eller 30). Tryck på FUNCTION-knappen (5, 35) för att välja "AUX" -läget. Anslut den externa enheten till AUX IN-porten (14) och välj det spår du vill spela in från den externa enheten. De återstående stegen är identiska med inspelningen från radion.

SLAGAR TRAKKOR FRÅN EN USB DISC / SDCARD

Radera en inspelning - Placera USB-skivan / SD-kortet i lämplig port (42 eller 30). Välj det spår du vill radera med knappen SKIP DOWN (12, 39) och SKIP UP-knappen (13, 40) och börja spela upp. Håll REC / DEL-knappen (8, 33) intryckt i ca 3 sekunder.

STÅDNING OCH UNDERHÅLL

1. Koppla ur enheten från elnätet.
2. Apparaten får endast torkas med en torr trasa.
3. Anordningen borde hållas i ett torrt rum.

WARNING: Använd inte vatten för rengöring - det kan skada enheten.

TEKNISK DATA

Strömkälla: 230V ~ 50Hz
RMS utgångseffekt: 2x 1,5W



Vi sköter om miljön. Överlämna förpackningar på kartong till pappersavfall. Polyetylensäckar (PE) slängs i avfallsbehållare för plast. Man bör lämna en gammal apparat till en riktig återvinningscentral, eftersom farliga komponenter i apparaten kan orsaka fara till miljön. En elektrisk apparat bör lämnas för att minska förnyad användning av denna. Om apparaten innehåller batterier, bör man ta bort dem och lämna dem separat till återvinningscentraler.

**BEZPEČNOSTNÉ PODMIENKY DÔLEŽITÉ POKYNY PRE BEZPEČNOSŤ POUŽÍVANIA
POZORNE PREČÍTAJTE A UCHOVÁVAJTE PRE BUDÚCE REFERENCIE**

Záručné podmienky sa líšia, ak sa zariadenie používa na komerčné účely.

1. Pred použitím výrobku si pozorne prečítajte a vždy dodržiavajte nasledujúce pokyny.

Výrobca nezodpovedá za škody spôsobené nesprávnym použitím.

2. Výrobok sa smie používať iba v interiéri. Nepoužívajte výrobok na žiadne účely, ktoré nie sú kompatibilné s jeho použitím.

3. Použitelné napätie je 230V, ~ 50Hz. Z bezpečnostných dôvodov nie je vhodné pripojiť viac zariadení do jednej elektrickej zásuvky.

Buďte opatrní pri používaní okolo detí. Nedovoľte deťom hrať sa s produktom. Nedovoľte deťom alebo ľuďom, ktorí nepoznajú prístroj, aby ho používali bez dozoru.

5. **VYSTRACHA:** Toto zariadenie môžu používať deti staršie ako 8 rokov a osoby so zníženými fyzickými, zmyslovými alebo duševnými schopnosťami alebo osoby bez skúseností alebo znalostí pomôcky, iba pod dozorom osoby zodpovednej za ich bezpečnosť, alebo ak boli poučení o bezpečnom používaní zariadenia a sú si vedomí nebezpečenstiev spojených s jeho prevádzkou. Deti by sa s prístrojom nemali hrať. Čistenie a údržbu zariadenia by nemali vykonávať deti, pokiaľ nie sú staršie ako 8 rokov a tieto činnosti sa vykonávajú pod dozorom.

6. Po ukončení používania vždy pamätajte na to, že ste opatrne vytiahli zástrčku zo zásuvky a držte ju za ruku. Nikdy neťahajte sieťový kábel !!!

7. Neviesť napájací kábel, zástrčku ani celé zariadenie do vody. Výrobok nikdy nevystavujte poveternostným podmienkam, ako je priame slnečné svetlo alebo dážď, atď. Nikdy výrobok nepoužívajte vo vlhkom prostredí.

8. Pravidelne kontrolujte stav napájacieho kábla. Ak je napájací kábel poškodený, produkt by sa mal obrátiť na miesto, kde je potrebné vymeniť profesionálne servisné miesto, aby sa predišlo nebezpečným situáciám.

9. Nikdy výrobok nepoužívajte s poškodeným napájacím káblom alebo ak spadol alebo inak poškodený, alebo ak nefunguje správne. Nepokúšajte sa poškodený výrobok opraviť sami, pretože to môže viesť k úrazu elektrickým prúdom. Poškodené zariadenie vždy otočte na odborné servisné miesto, aby ste ho opravili. Všetky opravy môžu vykonávať len autorizovaní servisní pracovníci. Oprava, ktorá bola vykonaná nesprávne, môže spôsobiť nebezpečné situácie pre používateľa.

10. Nikdy výrobok nedávajte na alebo v blízkosti horúcich alebo teplých povrchov alebo kuchynských spotrebičov, ako je elektrická rúra alebo plynový horák.

11. Nikdy výrobok nepoužívajte v blízkosti horľavín.

12. Nedovoľte, aby kábel prechádzal cez okraj počítadla alebo sa dotýkal horúcich povrchov.

13. Nikdy nenechávajte výrobok pripojený k zdroju napájania bez dozoru. Aj keď je použitie na krátku dobu prerušené, vypnite ho zo siete, odpojte napájanie.

14. Pre zaistenie dodatočnej ochrany sa odporúča inštalovať do silového obvodu zariadenie na zvyškový prúd (RCD) so zostatkovým prúdom menším ako 30 mA. V tejto záležitosti sa obráťte na odborného elektrikára.

15. Vyhýbajte sa kontaktu s rádiom.

16. Rádio môže byť utierané iba suchou handričkou. Nepoužívajte vodu ani čistiace kvapaliny.

17. Ak chcete ušetriť energiu, ak nie je k dispozícii audio signál z gramofónu / AUX IN / USB / SD pre a

10 minút, potom sa prístroj automaticky prepne do pohotovostného režimu.

18. Rádio by malo byť uložené v suchej miestnosti.

OPIS ZARIADENIA. \ T

1. Kryt gramofónu 23. Otočný kryt ihly

2. LCD displej 24. Konektor LINE OUT

3. Výkonová dióda 25. Kábel antény FM

4. Zabudovaný reproduktor 26. Napájací kábel

5. Tlačidlo FUNCTION 27. Tlačidlo STANDBY

6. Tlačidlo SLEEP / TIMER 28. Tlačidlo PRESET / ALBUM DN
7. Port slúchadiel 29. Tlačidlo PRESET / ALBUM UP
8. Tlačidlo REC / DEL 30. Port SD karty
9. Tlačidlo MODE / CLOCK 31. Tlačidlo MUTE
10. Tlačidlo PLAY / PAUSE / TUNER SCAN 32. Prepínač AUTO-STOP
11. Tlačidlo STOP / BAND 33. Tlačidlo REC / DEL
12. Tlačidlo SKIP DOWN 34. FM ST. gombík
13. Tlačidlo SKIP UP 35. Tlačidlo FUNCTION
14. AUX port 36. Tlačidlo MODE / CLOCK
15. Tlačidlo ALBUM / PRESET DOWN 37. Tlačidlo PLAY / PAUSE
16. Tlačidlo ALBUM / PRESET UP 38. Tlačidlo STOP / BAND
17. Vypínač / regulátor hlasitosti 39. Tlačidlo SKIP DOWN
18. 45RPM diskový adaptér 40. Tlačidlo SKIP UP
19. Otočná páka 41. Tlačidlá ZVYSIŤ / ZNÍZIŤ HLASITOSŤ
20. Zámok ramena otočného ramena 42. Port USB
21. Nastavenie rýchlosti otáčania dosky
22. Rameno gramofónu

NASTAVENIE HODÍN

Pred prvým použitím všetko rozbaľte a odstráňte všetky ochranné materiály. Odviňte kábel antény FM a napájací kábel. Nezakrývajte vetracie otvory, dbajte na to, aby bola okolo rádia niekoľko centimetrov, čo je potrebné na správne vetranie.

1. V pohotovostnom režime stlačte a podržte tlačidlo MODE / CLOCK (9, 36). Na displeji (2) začne blikať '12H / 24H'. Tlačidlami SKIP DOWN (12, 39) a SKIP UP (13, 40) zvolíte režim 12-hodinový alebo 24-hodinový a potvrdíte opätovným stlačením tlačidla MODE / CLOCK (9, 36). Zariadenie prejde do režimu úpravy hodín.
2. Tlačidlami SKIP DOWN (12, 39) a SKIP UP (13, 40) nastavíte aktuálnu hodinu a potvrdíte tlačidlom MODE / CLOCK (9, 36). Prístroj vstúpi do režimu editovania minút.
3. Tlačidlami SKIP DOWN (12, 39) a SKIP UP (13, 40) nastavíte aktuálnu minútu a potvrdíte tlačidlom MODE / CLOCK (9, 36).

FUNKCIA ČASOVAČA (AUTOMATICKÉ VYPNUTIE)

1. Keď je zariadenie zapnuté, stlačením tlačidla SLEEP / TIMER (6) nastavíte príslušný čas, po uplynutí ktorého sa má prístroj vypnúť (90, 80, 70 ... 10 minút).
2. Slovo „SLEEP“ na displeji vás informuje, že je aktivovaná funkcia automatického vypnutia.
3. Po uplynutí nastaveného času sa zariadenie vypne a prepne do pohotovostného režimu.

TLAČIDLO FUNKCIE (5)

Používa sa na zmenu prevádzkového režimu zariadenia

- PHON (režim prevádzky gramofónu)
- AUX (režim prevádzky externého zariadenia)
- Režim FM rádia
- MP3 (režim prehrávania pamäte USB a režim prehrávania karty SD)
- Režim Bluetooth

Počúvanie rádia

1. Zapnite prístroj tlačidlom ON / OFF (17, 27) a nastavte režim rádia tlačidlom FUNCTION (5).
2. Pomocou tlačidla BAND (11) nastavte vlnovú dĺžku na FM.
3. Pomocou tlačidla SKIP DOWN (12, 39) a SKIP UP (13, 40) naladíte požadovanú rádiovú frekvenciu. Stlačením a podržaním týchto tlačidiel približne 1-2 sekundy sa automaticky vyhledá najbližšia frekvencia. Po nájdení sa vyhledávanie zastaví.
4. Keď sa nájde frekvencia zvolenej stanice, stlačením tlačidla MODE / CLOCK (9, 36) zvolíte stanicu.
5. Zopakujte kroky 3-4 pre naprogramovanie vybraných staníc (maximálne 30 programov - FM, maximálne 20 programov - AM).
6. Medzi uloženými programami môžete prepínať pomocou tlačidla PRESET DOWN (15) a PRESET UP (16).
7. Hlasitosť môžete nastaviť otočením ovládača hlasitosti (17) alebo pomocou tlačidiel (40) na diaľkovom ovládači.
8. Anténa FM (24) sa nachádza na zadnom paneli. Ak je príjem nekvalitný, pokúste sa presunúť anténu a nájsť miesto, v ktorom je signál najsilnejší.

AM anténa sa nachádza vo vnútri rádiového prijímača. Ak je príjem nekvalitný, skúste presunúť prijímač na iné miesto alebo ho otočiť iným smerom, aby ste zachytili najsilnejší signál.

9. Tlačidlo TUNER SCAN (10) slúži na automatické vyhledanie a uloženie dostupných rozhlasových staníc.

PREHRÁVANIE MP3 SUBOROV Z USB / SD MEMORY

UPOZORNENIE: Zariadenie nemusí byť kompatibilné so všetkými súbormi kvôli rozdielom v kódovaní. Zariadenie nemusí pracovať s niektorými pamätami USB / SD. Zariadenie podporuje 8 GB USB pamäte a SD karty.

1. Zapnite prehrávač tlačidlom ON / OFF (17, 27). Do portu vložte pamäť USB alebo SD (port USB - 42, port SD - 30)
2. Pomocou tlačidla FUNCTION (5, 35) zvolíte režim.
3. Zariadenie načíta pamäť a na displeji zobrazí počet nahraných skladieb. Zariadenie potom začne prehrávanie prvej skladby.
4. Stlačením tlačidla PLAY / PAUSE (10, 37) môžete pozastaviť a obnoviť prehrávanie danej skladby.
5. Predchádzajúce alebo nasledujúce skladby môžete prehrávať pomocou tlačidla SKIP DOWN (12, 39) a SKIP UP (13, 40). Stlačením a podržaním týchto tlačidiel počas prehrávania skladby sa posuniete dopredu alebo dozadu.
6. Predchádzajúci alebo nasledujúci album skladieb môžete prehrávať pomocou tlačidla ALBUM DOWN (15, 28) a tlačidla ALBUM UP (16, 29).
7. Hlasitosť môžete nastaviť otočením ovládača hlasitosti (17) alebo pomocou tlačidiel (40) na diaľkovom ovládači.
8. Anténa FM (24) sa nachádza na zadnom paneli. Ak je príjem nekvalitný, pokúste sa presunúť anténu a nájsť miesto, v ktorom je signál najsilnejší.

AM anténa sa nachádza vo vnútri rádiového prijímača. Ak je príjem nekvalitný, skúste presunúť prijímač na iné miesto alebo ho otočiť iným smerom, aby ste zachytili najsilnejší signál.

9. Tlačidlo TUNER SCAN (10) slúži na automatické vyhledanie a uloženie dostupných rozhlasových staníc.

PREHRÁVANIE MP3 SUBOROV Z USB / SD MEMORY

UPOZORNENIE: Zariadenie nemusí byť kompatibilné so všetkými súbormi kvôli rozdielom v kódovaní. Zariadenie nemusí pracovať s niektorými pamätami USB / SD. Zariadenie podporuje 8 GB USB pamäte a SD karty.

1. Zapnite prehrávač tlačidlom ON / OFF (17, 27). Do portu vložte pamäť USB alebo SD (port USB - 42, port SD - 30)
2. Pomocou tlačidla FUNCTION (5, 35) zvolíte režim.

3. Zariadenie načíta pamäť a na displeji zobrazí počet nahraných skladieb. Zariadenie potom začne prehrávanie prvej skladby.
4. Stlačením tlačidla PLAY / PAUSE (10, 37) môžete pozastaviť a obnoviť prehrávanie danej skladby.
5. Predchádzajúce alebo nasledujúce skladby môžete prehrávať pomocou tlačidla SKIP DOWN (12, 39) a SKIP UP (13, 40). Stlačením a podržaním týchto tlačidiel počas prehrávania skladby sa posuniete dopredu alebo dozadu.
6. Predchádzajúci alebo nasledujúci album skladieb môžete prehrávať pomocou tlačidla ALBUM DOWN (15, 28) a tlačidla ALBUM UP (16, 29).
7. Počas prehrávania skladby jedenkrát stlačte tlačidlo MODE / CLOCK (9, 36) pre aktiváciu opakovania jednej skladby. Opätovným stlačením tlačidla MODE / CLOCK (9, 36) sa zopakuje celý obsah pamäte USB / karty SD.
8. Pred vybratím pamäte USB / karty SD z portu najprv vypnite prehrávač alebo ho prepnite do režimu rádia, režimu prehrávania gramofónu („PHON“) alebo režimu externého zariadenia („AUX“).

Môžete prehrávať hudobné súbory uložené na mobilnom telefóne vybavenom technológiou Bluetooth, na prehrávanie v rádiovéj zásuvke.

1. Zapnite zariadenie, stlačením tlačidla „FUNCTION“ vyberte režim Bluetooth.
2. Aktivujte pripojenie Bluetooth zariadenia na prehrávanie médií. Zariadenie na prehrávanie médií teraz vyhledá zariadenia, ku ktorým môže pripojiť.
3. Zariadenie na prehrávanie médií by teraz malo prijímať kód zariadenia CR 1168
4. Na pripojenie k rádiu použite zariadenie na prehrávanie médií. Na zariadení na prehrávanie médií zvolte CR 1168.

POUŽÍVANIE ZARIADENIA PRIPOJENÉHO AUXU V PRÍSTAVE UNIVERZÁLNEHO VSTUPU:

1. Externé zariadenie pripojte k prehrávaču pomocou portu AUX IN (14).
2. Prepnete prehrávač do režimu AUX IN stlačením tlačidla FUNCTION (5).

PREHRÁVANIE VINYL DISKOV

Pred prvým použitím točne odstráňte ochranný kryt (23) točne a uvoľnite uzol chrániaci rameno točne nachádzajúce sa vedľa zámku ramena točne (20).

1. Uvoľnite blokovanie ramena (20) a pomocou tlačidla FUNCTION (5, 35) nastavte prístroj do režimu PHON.
2. Umiestnite disk na tanier gramofónu. V prípade potreby použite adaptér (18).
3. Pomocou spínača (21) zvolte otáčky dosky (rychlosť otáčania v závislosti od typu disku).
4. Pomocou úroveň (19) nadvihnite rameno točne - aktivuje sa otáčanie taniera s tanierom taniera. Jemne posuňte rameno na stopu, ktorú chcete počúvať. Spustíte rameno ihly pomocou páky (19).
5. Hlasitosť môžete nastaviť otočením ovládača hlasitosti (17) alebo pomocou tlačidiel (40) na diaľkovom ovládači.
6. Pre zastavenie prehrávania disku zdvihnite rameno gramofónu pomocou páky (19).
7. Po dokončení prehrávania disku zdvihnite rameno gramofónu pomocou páky gramofónu (19). Posuňte rameno cez zámok (20) a spustíte páku (19).
8. Na zapnutie alebo vypnutie funkcie AUTO-STOP použite spínač AUTO-STOP (32).

ZÁZNAM NA USB DISK / KARTE SD

1. Nahrávanie z rádia - vložte USB disk / SD kartu do príslušného portu (42 alebo 30). Stlačením tlačidla FUNCTION (5, 35) vyberte režim rádia. Pomocou tlačidla BAND (11) nastavte vlnovú dĺžku na AM alebo FM. Pomocou tlačidla SKIP DOWN (12, 39) a SKIP UP (13, 40) naladíte požadovanú rádiovú frekvenciu. Stlačte tlačidlo REC / DEL (8, 33). Počas niekoľkých sekúnd zariadenie načíta dostupné pamäťové médium USB / SD. Tlačidlami SKIP DOWN (12, 39) a SKIP UP (13, 40) zvolte, či chcete nahrávať na USB pamäť alebo na SD kartu.
2. Potvrďte opätovným stlačením tlačidla REC / DEL (8, 33). Po niekoľkých sekundách zariadenie zaznamená do zvolenej prenosnej pamäte (ak je pripojená len pamäť USB alebo karta SD, po prvom stlačení tlačidla REC / DEL sa po niekoľkých sekundách aktivuje funkcia nahrávania). Počas nahrávania bude blikať ikona REC. Nahrávanie zastavíte stlačením tlačidla STOP / BAND (11, 38).

UPOZORNENIE: Aktivácia procesu nahrávania z rádia sa uskutoční s oneskorením niekoľkých sekúnd. Počas nahrávania rádia sa môže vyskytnúť rušenie / šum.

2. Nahrávanie z vinylového disku - vložte USB disk / SD kartu do príslušného portu (42 alebo 30). Stlačením tlačidla FUNCTION (5, 35) vyberte režim „PHON“. Umiestnite vinylový disk na platňu a začnite prehrávať skladbu, ktorú chcete nahrávať, umiestnením ramena gramofónu na vhodné miesto. Zostávajúce kroky sú rovnaké ako pri nahrávaní z rádia.
3. Nahrávanie z externého zariadenia (režim AUX) - vložte USB disk / SD kartu do príslušného portu (42 alebo 30). Stlačením tlačidla FUNCTION (5, 35) vyberte režim „AUX“. Pripojte externé zariadenie k portu AUX IN (14) a vyberte skladbu, ktorú chcete nahrávať z externého zariadenia. Zostávajúce kroky sú rovnaké ako pri nahrávaní z rádia.

VYMAZANIE TRACIEK Z USB DISKY / KARTY SD

Vymazanie jedného záznamu - vložte USB disk / SD kartu do príslušného portu (42 alebo 30). Pomocou tlačidla SKIP DOWN (12, 39) a SKIP UP (13, 40) vyberte skladbu, ktorú chcete vymazať a začnite prehrávať. Stlačte a podržte tlačidlo REC / DEL (8, 33) približne 3 sekundy.


ČISTENIE A ÚDRŽBA

1. Odpojte zariadenie od sieťového napájania.
2. Prístroj je možné čistiť iba suchou handričkou.
3. Zariadenie by malo byť uchovávané v suchej miestnosti.

UPOZORNENIE: Na čistenie nepoužívajte vodu - môže dôjsť k poškodeniu zariadenia.

TECHNICKÉ DÁTA

Zdroj napájania: 230V ~ 50Hz
Výstupný výkon RMS: 2x 1,5W

 Starostlivosť o životné prostredie. Kartónový obal odovzdajte do zberných surovín. Polyetylénové vrecká (PE) vyhodte do kontajnera na plast. Opatrebný spotrebič odovzdajte na príslušný zberný dvor, nebezpečné látky spotrebiča môžu predstavovať riziko pre životné prostredie. Elektrosprebič odstráňte tak, aby nedochádzalo k jeho ďalšiemu použitiu. Ak sa v spotrebiči nachádzajú batérie, vyberte ich a odovzdajte ich na zberné miesto osobitne. Spotrebič nevyhadzujte do kontajnera na komunálny odpad!

CONDIZIONI DI SICUREZZA ISTRUZIONI IMPORTANTI SULLA SICUREZZA DELL'USO LEGGERE ATTENTAMENTE E CONSERVARE PER FUTURE RIFERIMENTI

Le condizioni di garanzia sono diverse se il dispositivo viene utilizzato per scopi commerciali.

1. Prima di utilizzare il prodotto, leggere attentamente e rispettare sempre le seguenti istruzioni. Il produttore non è responsabile per eventuali danni dovuti a qualsiasi uso improprio.
2. Il prodotto deve essere utilizzato solo al chiuso. Non utilizzare il prodotto per scopi non compatibili con la sua applicazione.
3. La tensione applicabile è 230 V, ~ 50 Hz. Per motivi di sicurezza non è opportuno collegare più dispositivi a una presa di corrente.
4. si prega di essere prudenti quando si utilizza in giro per i bambini. Non lasciare che i bambini giochino con il prodotto. Non permettere a bambini o persone che non conoscono il dispositivo di usarlo senza supervisione.
5. **AVVERTENZA:** questo dispositivo può essere utilizzato da bambini di età superiore agli 8 anni e persone con ridotte capacità fisiche, sensoriali o mentali o persone senza esperienza o conoscenza del dispositivo, solo sotto la supervisione di una persona responsabile della loro sicurezza, o se sono stati istruiti sull'uso sicuro del dispositivo e sono consapevoli dei pericoli associati al suo funzionamento. I bambini non dovrebbero giocare con il dispositivo. La pulizia e la manutenzione del dispositivo non devono essere eseguite dai bambini, a meno che non abbiano superato gli 8 anni di età e queste attività siano svolte sotto supervisione.
6. Dopo aver terminato di utilizzare il prodotto, ricordarsi sempre di rimuovere delicatamente la spina dalla presa di corrente tenendo la presa con la mano. Non tirare mai il cavo di alimentazione !!!
7. Non mettere mai il cavo di alimentazione, la spina o l'intero dispositivo nell'acqua. Non esporre mai il prodotto a condizioni atmosferiche quali luce diretta del sole o pioggia, ecc. Non utilizzare mai il prodotto in condizioni di umidità.
8. Controllare periodicamente le condizioni del cavo di alimentazione. Se il cavo di alimentazione è danneggiato, il prodotto deve essere girato in un luogo di assistenza professionale da sostituire per evitare situazioni pericolose.
9. Non utilizzare mai il prodotto con un cavo di alimentazione danneggiato o se è stato fatto cadere o danneggiato in altro modo o se non funziona correttamente. Non tentare di riparare da soli il prodotto difettoso perché può provocare scosse elettriche. Trasformare sempre il dispositivo danneggiato in un luogo di assistenza professionale per ripararlo. Tutte le riparazioni possono essere eseguite solo da professionisti autorizzati. La riparazione eseguita in modo errato può causare situazioni pericolose per l'utente.
10. Non mettere mai il prodotto sopra o vicino alle superfici calde o calde o agli elettrodomestici della cucina come il forno elettrico o il bruciatore a gas.
11. Non utilizzare mai il prodotto vicino a combustibili.
12. Non lasciare che il cavo penda dal bordo del contatore o tocchi superfici calde.
13. Non lasciare mai il prodotto collegato alla fonte di alimentazione senza supervisione. Anche quando l'uso viene interrotto per un breve periodo, spegnerlo dalla rete, scollegare l'alimentazione.
14. Per fornire una protezione aggiuntiva, si consiglia di installare un dispositivo di corrente residua (RCD) nel circuito di potenza, con una corrente residua non superiore a 30 mA. Contattare l'elettricista professionista in questa materia.
15. Evita di bagnare la radio.
16. La radio può essere pulita solo con un panno asciutto. Non usare acqua o detergente.
17. Per risparmiare energia, se non c'è segnale audio dal giradischi / AUX IN / USB / SD per un periodo superiore a 10 minuti, l'unità passerà automaticamente alla modalità

Standby.

18. La radio dovrebbe essere tenuta in una stanza asciutta.

DESCRIZIONE DEL DISPOSITIVO

1. Coperchio del piatto girevole 23. Protezione dell'ago del piatto rotante
2. Display LCD 24. Jack LINE OUT
3. Diodo di alimentazione 25. Cavo dell'antenna FM
4. Altoparlante incorporato 26. Cavo di alimentazione
5. Tasto FUNZIONE 27. Tasto STANDBY
6. Tasto SLEEP / TIMER 28. Tasto PRESET / ALBUM DN
7. Porta cuffie 29. Pulsante PRESET / ALBUM UP
8. Tasto REC / DEL 30. Porta della scheda SD
9. Tasto MODE / CLOCK 31. Tasto MUTE
10. Tasto PLAY / PAUSE / TUNER SCAN 32. Interruttore AUTO-STOP
11. Tasto STOP / BAND 33. Tasto REC / DEL
12. Tasto SALTA GIÙ 34. FM ST. pulsante
13. Tasto SALTA SU 35. Tasto FUNZIONE
14. Porta AUX 36. Tasto MODE / CLOCK
15. Tasto ALBUM / PRESET DOWN 37. Tasto PLAY / PAUSE
16. Tasto ALBUM / PRESET UP 38. Tasto STOP / BAND
17. Interruttore ON / OFF / controllo volume 39. Tasto SALTA GIÙ
18. Adattatore per dischi 45RPM 40. Tasto SALTA
19. Leva del giradischi 41. Pulsanti VOLUME SU / GIÙ
20. Blocco del braccio del piatto girevole 42. Porta USB
21. Regolazione della velocità di rotazione della piastra
22. Braccio del giradischi

IMPOSTAZIONE DELL'OROLOGIO

Prima del primo utilizzo, disimballare tutto e rimuovere tutti i materiali protettivi. Srotolare il cavo dell'antenna FM e il cavo di alimentazione. Non coprire i fori di ventilazione, assicurarsi che vi sia uno spazio di pochi centimetri intorno alla radio, necessario per una corretta ventilazione.

1. In modalità standby, tenere premuto il pulsante MODE / CLOCK (9, 36). '12H / 24H' inizierà a lampeggiare sul display (2). Utilizzando i pulsanti SKIP DOWN (12, 39) e SKIP UP (13, 40) selezionare la modalità 12 ore o 24 ore e confermare premendo nuovamente il pulsante MODE / CLOCK (9, 36). Il dispositivo entrerà nella modalità di modifica dell'ora.
2. Usando i pulsanti SKIP DOWN (12, 39) e SKIP UP (13, 40), impostare l'ora corrente e confermare premendo il pulsante MODE / CLOCK (9, 36). Il dispositivo entrerà nella modifica / modalità minuti.
3. Usando i pulsanti SKIP DOWN (12, 39) e SKIP UP (13, 40), impostare il minuto corrente e confermare premendo il pulsante MODE / CLOCK (9, 36).

FUNZIONE TIMER (SHUT-OFF AUTOMATICO)

1. Quando il dispositivo è acceso, premere il pulsante SLEEP / TIMER (6) il numero appropriato di volte per selezionare il tempo dopo il quale il dispositivo deve spegnersi (90, 80, 70 ... 10 minuti).
2. La parola 'SLEEP' sul display informa che la funzione di spegnimento automatico è attivata.
3. Al termine del tempo selezionato, il dispositivo si spegnerà e passerà alla modalità standby.

FUNZIONE BUTTON (5)

Utilizzato per modificare la modalità operativa del dispositivo

- PHON (modalità operativa giradischi)
- AUX (modalità operativa dispositivo esterno)
- Modalità radio FM
- MP3 (modalità di riproduzione memoria USB e modalità di riproduzione scheda SD)
- Modalità Bluetooth

ASCOLTANDO LA RADIO

1. Accendere il dispositivo utilizzando il pulsante ON / OFF (17, 27) e impostare la modalità radio utilizzando il pulsante FUNCTION (5).
2. Usando il tasto BAND (11) impostare la lunghezza d'onda su FM.
3. Usando i pulsanti SKIP DOWN (12, 39) e SKIP UP (13, 40) sintonizzarsi sulla frequenza radio desiderata. Premendo e tenendo premuti questi pulsanti per circa 1-2 secondi, si cercherà automaticamente la frequenza più vicina. Dopo che è stato trovato, la ricerca si fermerà.
4. Quando viene trovata la frequenza della stazione selezionata, premere il pulsante MODE / CLOCK (9, 36) per salvare la stazione.
5. Ripetere i passaggi 3-4 per programmare le stazioni selezionate (massimo 30 programmi - FM, massimo 20 programmi - AM).
6. È possibile passare tra i programmi salvati utilizzando il pulsante PRESET DOWN (15) e PRESET UP (16).
7. È possibile impostare il volume ruotando la manopola di controllo del volume (17) o usando i tasti (40) sul telecomando.
8. L'antenna FM (24) si trova sul pannello posteriore. Se la ricezione è scarsa, provare a spostare l'antenna e trovare un punto in cui il segnale è più forte.
9. L'antenna AM si trova all'interno del ricevitore radio. Se la ricezione è scarsa, provare a spostare il ricevitore in un altro luogo o a ruotarlo in un'altra direzione per catturare il segnale più forte.
9. Il pulsante TUNER SCAN (10) viene utilizzato per trovare e salvare automaticamente le stazioni radio disponibili.

RIPRODUZIONE DI FILE MP3 DA MEMORIA USB / SD

ATTENZIONE: il dispositivo potrebbe non essere compatibile con tutti i file a causa delle differenze di codifica. Il dispositivo potrebbe non funzionare con alcune memorie USB / SD. Il dispositivo supporta memorie USB da 8 GB e schede SD.

1. Accendi il lettore usando il pulsante ON / OFF (17, 27). Inserire la memoria USB o SD nella porta (porta USB - 42, porta SD - 30)
2. Selezionare la modalità usando il pulsante FUNCTION (5, 35).
3. Il dispositivo legge la memoria e mostra il numero di brani registrati sul display. Il dispositivo inizierà quindi la riproduzione della prima traccia.
4. È possibile mettere in pausa e riprendere la riproduzione della traccia data utilizzando il pulsante PLAY / PAUSE (10, 37).
5. È possibile riprodurre i brani precedenti o successivi utilizzando i pulsanti SKIP DOWN (12, 39) e SKIP UP (13, 40). Premendo e tenendo premuti questi pulsanti durante la riproduzione di una traccia lo farai riavvolgere o avanzare rapidamente.

6. È possibile riprodurre l'album del brano precedente o successivo utilizzando il pulsante ALBUM GIÙ (15, 28) e il tasto ALBUM UP (16, 29).
 7. È possibile impostare il volume ruotando la manopola di controllo del volume (17) o usando i tasti (40) sul telecomando.
 8. L'antenna FM (24) si trova sul pannello posteriore. Se la ricezione è scarsa, provare a spostare l'antenna e trovare un punto in cui il segnale è più forte.
L'antenna AM si trova all'interno del ricevitore radio. Se la ricezione è scarsa, provare a spostare il ricevitore in un altro luogo o a ruotarlo in un'altra direzione per catturare il segnale più forte.
 9. Il pulsante TUNER SCAN (10) viene utilizzato per trovare e salvare automaticamente le stazioni radio disponibili.
- RIPRODUZIONE DI FILE MP3 DA MEMORIA USB / SD**
- ATTENZIONE:** il dispositivo potrebbe non essere compatibile con tutti i file a causa delle differenze di codifica. Il dispositivo potrebbe non funzionare con alcune memorie USB / SD. Il dispositivo supporta memorie USB da 8 GB e schede SD.
1. Accendi il lettore usando il pulsante ON / OFF (17, 27). Inserire la memoria USB o SD nella porta (porta USB - 42, porta SD - 30)
 2. Selezionare la modalità usando il pulsante FUNCTION (5, 35).
 3. Il dispositivo legge la memoria e mostra il numero di brani registrati sul display. Il dispositivo inizierà quindi la riproduzione della prima traccia.
 4. È possibile mettere in pausa e riprendere la riproduzione della traccia data utilizzando il pulsante PLAY / PAUSE (10, 37).
 5. È possibile riprodurre i brani precedenti o successivi utilizzando i pulsanti SKIP DOWN (12, 39) e SKIP UP (13, 40). Premendo e tenendo premuti questi pulsanti durante la riproduzione di una traccia lo farai riavvolgere o avanzare rapidamente.
 6. È possibile riprodurre l'album del brano precedente o successivo utilizzando il pulsante ALBUM GIÙ (15, 28) e il tasto ALBUM UP (16, 29).
 7. Durante la riproduzione di una traccia, premere una volta il pulsante MODE / CLOCK (9, 36) per attivare la ripetizione di una traccia. Premendo di nuovo il pulsante MODE / CLOCK (9, 36) si ripeterà l'intero contenuto della memoria USB / scheda SD.
 8. Prima di rimuovere la memoria USB / scheda SD dalla porta, spegnere innanzitutto il lettore o passare alla modalità radio, alla modalità di riproduzione del disco giradischi ('PHON') o alla modalità dispositivo esterno ('AUX').

È possibile riprodurre file musicali salvati su un telefono cellulare dotato di Bluetooth, per la riproduzione sulla radio della presa di corrente.

1. Accendere il dispositivo, premere il pulsante "FUNCTION" per selezionare la modalità Bluetooth.
2. Attivare la connessione Bluetooth del dispositivo di riproduzione multimediale. Il dispositivo di riproduzione multimediale ora cercherà i dispositivi a cui può collegare.
3. Il dispositivo di riproduzione multimediale dovrebbe ora ricevere il codice dispositivo CR 1168
4. Utilizzare il dispositivo di riproduzione multimediale per connettersi alla radio. Per fare ciò, selezionare CR 1168 sul dispositivo di riproduzione multimediale.

UTILIZZO DI UN DISPOSITIVO CONNESSO TRAMITE LA PORTA DI INGRESSO UNIVERSALE AUX:

1. Collegare il dispositivo esterno al lettore tramite la porta AUX IN (14).
2. Passare il lettore alla modalità AUX IN premendo il pulsante FUNCTION (5).

RIPRODUZIONE DEI DISCHI DEL VINILE

Prima del primo utilizzo dei giradischi, rimuovere la protezione dell'ago dei giradischi (23) e legare il nodo che protegge il braccio del giradischi situato accanto al blocco del braccio del giradischi (20).

1. Rilasciare il blocco del braccio (20) e impostare il dispositivo sulla modalità PHON utilizzando il pulsante FUNCTION (5, 35).
2. Mettere il disco sulla piastra giradischi. Se necessario, utilizzare l'adattatore (18).
3. Selezionare la velocità di rotazione della piastra (la velocità di rotazione in base al tipo di disco) utilizzando l'interruttore (21).
4. Usando il livello (19) sollevare il braccio del giradischi - questo attiverà la rotazione della piastra con il disco del giradischi. Fai scorrere delicatamente il braccio sulla traccia che desideri ascoltare. Abbassare il braccio dell'ago usando la leva (19).
5. È possibile impostare il volume ruotando la manopola di controllo del volume (17) o usando i tasti (40) sul telecomando.
6. Per interrompere la riproduzione del disco, sollevare il braccio del giradischi usando la leva (19).
7. Al termine della riproduzione del disco, sollevare il braccio del giradischi usando la leva del giradischi (19). Spostare il braccio sul blocco (20) e abbassarlo usando la leva (19).
8. Per attivare o disattivare la funzione AUTO-STOP, utilizzare l'interruttore AUTO-STOP (32).

REGISTRAZIONE SU UNA SCHEDA USB / SCHEDA SD

1. Registrazione dalla radio: posizionare il disco USB / la scheda SD nella porta appropriata (42 o 30). Premere il pulsante FUNCTION (5, 35) per selezionare la modalità radio. Usando il tasto BAND (11) imposta la lunghezza d'onda su AM o FM. Utilizzando i pulsanti SKIP DOWN (12, 39) e SKIP UP (13, 40), sintonizzarsi sulla frequenza radio desiderata. Premere il tasto REC / DEL (8, 33). Entro pochi secondi il dispositivo leggerà il supporto di memoria USB / SD disponibile. Usando i pulsanti SKIP DOWN (12, 39) e SKIP UP (13, 40) selezionare se si desidera registrare sulla memoria USB o sulla scheda SD. Confermare premendo nuovamente il tasto REC / DEL (8, 33). Dopo alcuni secondi il dispositivo registrerà sulla memoria portatile selezionata (se è collegata solo la memoria USB o la scheda SD, la prima pressione del pulsante REC / DEL attiverà la funzione di registrazione dopo alcuni secondi). L'icona REC lampeggerà durante la registrazione. Per interrompere la registrazione, premere il tasto STOP / BAND (11, 38).

ATTENZIONE: l'attivazione del processo di registrazione dalla radio avverrà con un ritardo di alcuni secondi. Ci possono essere interferenze / rumore durante la registrazione radio.

2. Registrazione da un disco in vinile: posizionare il disco USB / la scheda SD nella porta appropriata (42 o 30). Premere il pulsante FUNCTION (5, 35) per selezionare la modalità 'PHON'. Collocare il disco in vinile sulla piastra e iniziare la riproduzione della traccia che si desidera registrare posizionando il braccio del giradischi nel punto appropriato. I passaggi rimanenti sono identici a quelli della registrazione dalla radio.

3. Registrazione da un dispositivo esterno (modalità AUX) - posizionare il disco USB / la scheda SD nella porta appropriata (42 o 30). Premere il pulsante FUNCTION (5, 35) per selezionare la modalità 'AUX'. Collegare il dispositivo esterno alla porta AUX IN (14) e selezionare la traccia che si desidera registrare dal dispositivo esterno. I passaggi rimanenti sono identici a quelli della registrazione dalla radio.

CANCELLAZIONE DI TRACCE DA UN DISCO USB / SCHEDA SD

1. Eliminazione di una registrazione: posizionare il disco USB / la scheda SD nella porta appropriata (42 o 30). Selezionare la traccia che si desidera eliminare utilizzando il pulsante SKIP DOWN (12, 39) e SKIP UP (13, 40) e iniziare la riproduzione. Premere e tenere premuto il tasto REC / DEL (8, 33) per circa 3 secondi.

PULIZIA E MANUTENZIONE

1. Disconnettere il dispositivo dalla rete elettrica.
2. Il dispositivo può essere pulito con un panno asciutto.

3. Il dispositivo deve essere tenuto in una stanza asciutta.
ATTENZIONE: non usare acqua per la pulizia - questo potrebbe danneggiare il dispositivo.

DATI TECNICI

Fonte di alimentazione: 230 V ~ 50 Hz

Potenza in uscita RMS: 2x 1,5W



Prendersi cura dell'ambiente

Gli imballi di cartone devono essere smaltiti nel contenitore per la carta. I sacchetti di polietilene (PE) vanno gettati nel contenitore per la plastica. L'apparecchio usato deve essere rottamato presso un centro di raccolta autorizzato, poiché contiene elementi pericolosi che potrebbero costituire una minaccia per l'ambiente. I dispositivi elettrici devono essere resi al fine di evitare il loro riutilizzo. Se il dispositivo contiene una batteria, deve essere rimossa e smaltita separatamente in un punto di raccolta.

Non gettare l'apparecchio nei contenitori dei rifiuti urbani!

(SR) СРПСКИ

УВЈЕТИ ЗА СИГУРНОСТ ВАЖНЕ УПУТЕ О СИГУРНОСТИ УПОТРЕБЕ МОЛИМО ВАС ДА ПРОЧИТАЈТЕ И ПОГЛЕДАЈТЕ ЗА БУДУЋЕ РЕФЕРЕНЦЕ

Услови гаранције су различити, ако се уређај користи у комерцијалне сврхе.

1. Пре употребе производа пажљиво прочитајте и увек се придржавајте следећих упутстава. Произвођач није одговоран за било какву штету насталу због злоупотребе.
2. Производ се користи само у затвореном простору. Немојте користити производ за било коју сврху која није компатибилна са њеном примјеном.
3. Важећи напон је 230В, ~ 50Хз. Из сигурносних разлога није прикладно повезати више уређаја на једну утичницу.
4. Будите опрезни када користите око деце. Не дозволите деци да се играју са производом. Не дозволите деци или особама које не познају уређај да је користе без надзора.
5. УПОЗОРЕЊЕ: Овај уређај могу користити дјеца старија од 8 година и особе са смањеним физичким, осјетилним или менталним способностима, или особе без искуства или знања о уређају, само под надзором особе одговорне за њихову сигурност, или ако су добили инструкције о безбедном коришћењу уређаја и да су свесни опасности које су повезане са његовим радом. Деца не би требало да се играју са уређајем. Чишћење и одржавање уређаја не би требало да се врши од стране деце, осим ако су старији од 8 година и ове активности се спроводе под надзором.
6. Након што завршите са коришћењем производа, увек запамтите да пажљиво извадите утикач из утичнице која држи утичницу руком. Никада не вуците кабл за напајање !!!
7. Никада не стављајте кабл за напајање, утикач или читав уређај у воду. Никада не излажите производ атмосферским условима као што су директна сунчева светлост или киша итд. Никада не користите производ у влажним условима.
8. Периодично проверите стање кабла за напајање. Ако је кабл за напајање оштећен, производ треба окренути на професионалну сервисну локацију која ће се заменити како би се избегле опасне ситуације.
9. Никад не користите производ са оштећеним каблом за напајање или ако је испуштен или оштећен на неки други начин или ако не ради исправно. Не покушавајте сами поправити оштећени производ јер то може довести до електричног удара. Оштећени уређај увек окрећите на професионалну сервисну локацију како бисте га поправили. Све поправке могу обавити само овлашћени сервисери. Неисправна поправка може проузроковати опасне ситуације за корисника.
10. Никад не стављајте производ у близину топлих или топлих површина или кухињских уређаја као што су електрична пећница или плински пламеник.
11. Никада немојте користити производ близу запаљивих материја.
12. Не дозволите да кабл виси преко ивице бројача или додирује вруће површине. Никада не остављајте производ прикључен на извор напајања без надзора. Чак и када је употреба прекинута на кратко, искључите је из мреже, искључите напајање.
14. Да би се обезбиједила додатна заштита, препоручује се уградити уређај за задржавање струје (РЦД) у струјни круг, са преосталом струјом не већом од 30 мА.

Обратите се професионалном електричару по овом питању.

15. Избегавајте да мокри радио.

16. Радио се може обрисати само сувом крпом. Не користите воду или течности за чишћење.

17. Да бисте уштедели енергију, ако нема звучног сигнала са грамофона / АУКС ИН / УСБ / СД за а

у периоду од преко 10 минута, онда ће се уређај аутоматски пребацити у стање приправности.

18. Радио треба чувати у сувом простору.

ОПИС УРЕЂАЈА

1. Поклопац окретне платформе 23. Заштита игле са окретном платформом
2. ЛЦД екран 24. ЛИНЕ ОУТ прикључак
3. Повер диода 25. ФМ антенски кабл
4. Уграђени звучник 26. Кабл за напајање
5. ФУНКЦИОН дугме 27. СТАНДБИ дугме
6. Дугме СЛЕЕП / ТИМЕР 28. Дугме ПРЕСЕТ / АЛБУМ ДН
7. Порт слушалица 29. ПРЕСЕТ / АЛБУМ УП дугме
8. РЕЦ / ДЕЛ дугме 30. СД картица
9. Дугме МОДЕ / ЦЛОЦК 31. Дугме МУТЕ
10. Дугме ПЛАИ / ПАУСЕ / ТУНЕР СЦАН 32. АУТО-СТОП прекидач
11. Типка СТОП / БАНД 33. РЕЦ / ДЕЛ типка
12. Типка СКИП ДОВН 34. ФМ СТ. дугме
13. Типка СКИП УП 35. Типка ФУНКЦИОН
14. АУКС порт 36. Дугме МОДЕ / ЦЛОЦК
15. Дугме АЛБУМ / ПРЕСЕТ ДОВН 37. Дугме ПЛАИ / ПАУСЕ
16. Дугме АЛБУМ / ПРЕСЕТ УП 38. Дугме СТОП / БАНД
17. Прекидач за укључивање / искључивање / контролу јачине звука 39. Дугме СКИП ДОВН
18. 45РРМ диск адаптер 40. СКИП УП дугме
19. Полуга за окретање 41. Дугмад ВОЛУМЕ УП / ДОВН
20. Ручица за грамофоне 42. УСБ порт
21. Подешавање брзине центрифуге плоче
22. Рука грамофона

СЕТТИНГ ТХЕ ЦЛОЦК

Пре прве употребе, распакирајте све и уклоните све заштитне материјале. Одвијте кабл ФМ антене и кабл за напајање. Немојте покривати вентилационе отворе, пазите да постоји размак од неколико центиметара око радија, који је потребан за правилну вентилацију.

1. У стандби моду притисните и држите типку МОДЕ / ЦЛОЦК (9, 36). На дисплеју ће почети да трепери '12X / 24X' (2). Помоћу тастера СКИП ДОВН (12, 39) и СКИП УП (13, 40) изаберите или 12-часовни или 24-часовни режим и потврдите поновним притиском на дугме МОДЕ / ЦЛОЦК (9, 36). Уређај ће ући у режим уређивања сата.
2. Помоћу тастера СКИП ДОВН (12, 39) и СКИП УП (13, 40) подесите тренутни сат и потврдите притиском на дугме МОДЕ / ЦЛОЦК (9, 36). Уређај ће ући у минутно уређивање / режим.
3. Помоћу тастера СКИП ДОВН (12, 39) и СКИП УП (13, 40) подесите тренутни минут и потврдите притиском на дугме МОДЕ / ЦЛОЦК (9, 36).

ФУНКЦИЈА ТИМЕРА (АУТОМАТСКА СХУТ-ОФФ)

1. Када је уређај укључен, притисните типку СЛЕЕП / ТИМЕР (6) одговарајући број пута да одаберете вријеме након којег ће се уређај искључити (90, 80, 70 ... 10 минута).
2. Реч 'СЛЕЕП' на екрану вас обавештава да је функција аутоматског искључивања активирана.
3. Након истека одабраног времена уређај ће се искључити и ући у стање приправности.

ТИПКА ФУНКЦИЈЕ (5)

Користи се за промену режима рада уређаја

- ПХОН (режим рада грамофона)
- АУКС (режим рада спољног уређаја)
- ФМ радио мод
- МП3 (начин репродукције УСБ меморије и начин репродукције СД картице)
- Блуецоотх режим

СЛУШАТЕ РАДИО

1. Укључите уређај помоћу дугмета за укључивање / искључивање (17, 27) и подесите режим радија помоћу дугмета ФУНКЦИОН (5).
2. Помоћу дугмета БАНД (11) подесите таласну дужину на ФМ.
3. Помоћу тастера СКИП ДОВН (12, 39) и СКИП УП (13, 40) подесите жељену радио фреквенцију. Притиском и држањем ових дугмади у трајању од приближно 1-2 секунде аутоматски ће се тражити најближа фреквенција. Након што се пронађе, претраживање ће се зауставити.
4. Када се пронађе фреквенција изабране станице, притисните дугме МОДЕ / ЦЛОЦК (9, 36) да бисте сачували станицу.
5. Поновите кораке 3-4 да бисте програмирали изабране станице (максимално 30 програма - ФМ, максимално 20 програма - АМ).
6. Можете се пребацити између сачуваних програма помоћу дугмета ПРЕСЕТ ДОВН (15) и ПРЕСЕТ УП (16).
7. Можете подесити јачину звука окретањем дугмета за контролу јачине звука (17) или помоћу дугмади (40) на даљинском управљачу.
8. ФМ антена (24) се налази на задњем панелу. Ако је пријем слаб, покушајте да померите антену и пронађите место у којем је сигнал најјачи.

АМ антена се налази унутар радио пријемника. Ако је пријем слаб, покушајте да померите пријемник на друго место или га окренете у другом смеру да бисте ухватили најјачи сигнал.

9. ТУНЕР СЦАН тилка (10) се користи за аутоматско проналажење и спремање доступних радио станица.

ПЛАИБАЦК ОФ МПЗ ФИЛЕС ИЗ УСБ / СД МЕМОРИ

ОПРЕЗ: Уређај можда није компатибилан са свим датотекама због разлика у кодирању. Уређај можда неће радити са неким УСБ / СД меморијама. Уређај подржава 8ГБ УСБ меморије и СД картице.

1. Укључите уређај помоћу дугмета ОН / ОФФ (17, 27). Поставите УСБ или СД меморију у порт (УСБ порт - 42, СД порт - 30)

2. Изаберите режим помоћу дугмета ФУНЦИОН (5, 35).

3. Уређај ће прочитати меморију и приказати број снимљених записа на екрану. Уређај ће тада почети репродукцију прве нумере.

4. Можете паузирати и наставити репродукцију дате нумере помоћу дугмета ПЛАИ / ПАУСЕ (10, 37).

5. Можете репродукцирати претходне или следеће песме помоћу тилке СКИП ДОВН (12, 39) и СКИП УП (13, 40). Притиском и држањем ових тастера током репродукције нумере ће се премотати уназад или унапред.

6. Можете репродуктовати претходни или следећи албум песама помоћу тастера АЛБУМ ДОВН (15, 28) и АЛБУМ УП (16, 29).

7. Можете подесити јачину звука окретањем дугмета за контролу јачине звука (17) или помоћу дугмади (40) на даљинском управљачу.

8. ФМ антена (24) се налази на задњем панелу. Ако је пријем слаб, покушајте да померите антену и пронађите место у којем је сигнал најјачи.

АМ антена се налази унутар радио пријемника. Ако је пријем слаб, покушајте да померите пријемник на друго место или га окренете у другом смеру да бисте ухватили најјачи сигнал.

9. ТУНЕР СЦАН тилка (10) се користи за аутоматско проналажење и спремање доступних радио станица.

ПЛАИБАЦК ОФ МПЗ ФИЛЕС ИЗ УСБ / СД МЕМОРИ

ОПРЕЗ: Уређај можда није компатибилан са свим датотекама због разлика у кодирању. Уређај можда неће радити са неким УСБ / СД меморијама. Уређај подржава 8ГБ УСБ меморије и СД картице.

1. Укључите уређај помоћу дугмета ОН / ОФФ (17, 27). Поставите УСБ или СД меморију у порт (УСБ порт - 42, СД порт - 30)

2. Изаберите режим помоћу дугмета ФУНЦИОН (5, 35).

3. Уређај ће прочитати меморију и приказати број снимљених записа на екрану. Уређај ће тада почети репродукцију прве нумере.

4. Можете паузирати и наставити репродукцију дате нумере помоћу дугмета ПЛАИ / ПАУСЕ (10, 37).

5. Можете репродукцирати претходне или следеће песме помоћу тилке СКИП ДОВН (12, 39) и СКИП УП (13, 40). Притиском и држањем ових тастера током репродукције нумере ће се премотати уназад или унапред.

6. Можете репродуктовати претходни или следећи албум песама помоћу тастера АЛБУМ ДОВН (15, 28) и АЛБУМ УП (16, 29).

7. Током репродукције нумере притисните дугме МОДЕ / ЦЛОЦК (9, 36) једном да бисте активирали понављање једне нумере.

Поновним притискањем тилке МОДЕ / ЦЛОЦК (9, 36) поновит ћете цијели садржај УСБ меморије / СД картице.

8. Пре уклањања УСБ меморије / СД картице из порта прво искључите плејер или га пребаците на радио мод, режим репродукције грамофонског диска (ПХОН) или режим спољног уређаја (АУКС).

Можете да репродукujete музичке датотеке сачуване на мобилном телефону опремљеном Блуеотоох-ом, за репродукцију на радио утичници.

1. Укључите уређај, притисните тилку „ФУНЦИОН“ за одабир Блуеотоох начина.

2. Активирајте Блуеотоох везу уређаја за репродукцију медија. Уређај за репродукцију медија ће сада тражити уређаје на које може цоннект.

3. Уређај за репродукцију медија би сада требао примати код уређаја МТ-23Б-БТ

4. Користите уређај за репродукцију медија за повезивање са радиом. Да бисте то урадили, изаберите МТ-23Б-БТ на уређају за репродукцију медија.

КОРИШЋЕЊЕ УРЕЂАЈА ПРИКЉУЧЕНОГ КРОЗ АУКС У УНИВЕРЗАЛНОМ ПРИСТУПУ:

1. Повезите спољни уређај са плејером преко АУКС ИН порта (14).

2. Пребаците плејер на АУКС ИН режим притиском на дугме ФУНЦИОН (5).

ПЛАИБАЦК ОФ ВИНИЛ ДИСЦ

Пре прве употребе окретног тањира, скините штитник игле са окретном плочом (23) и одвежите чвор који штити ручицу окретне плоче која се налази поред окретне ручице (20).

1. Отпустите ручицу за блокирање (20) и подесите уређај у ПХОН мод помоћу тилке ФУНЦИОН (5, 35).

2. Поставите диск на плочу окретне плоче. Ако је потребно, користите адаптер (18).

3. Помоћу прекидача (21) одаберите брзину окретања плоче (брзину ротације зависно о типу диска).

4. Помоћу нивоа (19) подигните ручицу окретне плоче - то ће активирати окретање плоче са диском окретне плоче. Пажљиво гурните руку на стазу коју желите да слушате. Спустите ручицу игле помоћу ручице (19).

5. Можете подесити јачину звука окретањем дугмета за контролу јачине звука (17) или помоћу дугмади (40) на даљинском управљачу.

6. Да бисте зауставили репродукцију диска, подигните ручицу окретне плоче помоћу ручице (19).

7. Након завршетка репродукције диска подигните ручицу окретне плоче помоћу ручице окретне плоче (19). Померите ручицу преко браве (20) и спустите је помоћу ручице (19).

8. За укључивање или искључивање функције АУТО-СТОП користите прекидач АУТО-СТОП (32).

СНИМАЊЕ НА УСБ ДИСК / СД КАРТИЦУ

1. Снимање са радија - поставите УСБ диск / СД картицу у одговарајући порт (42 или 30). Притисните дугме ФУНЦИОН (5, 35) да бисте изабрали радио мод. Типком БАНД (11) поставите валну дужину на АМ или ФМ. Помоћу тастера СКИП ДОВН (12, 39) и СКИП УП (13, 40) подесите жељену радио фреквенцију. Притисните дугме РЕЦ / ДЕЛ (8, 33). У року од неколико секунди уређај ће прочитати доступни УСБ / СД меморијски медиј. Помоћу тастера СКИП ДОВН (12, 39) и СКИП УП (13, 40) изаберите да ли желите да снимате на УСБ меморију или СД картицу. Потврдите поново притиском на дугме РЕЦ / ДЕЛ (8, 33). Након неколико секунди уређај ће снимити у одбрану преносиву меморију (ако је спојена само УСБ меморија или СД картица, прво притисните тилку РЕЦ / ДЕЛ, активираће снимање након неколико секунди). Икона РЕЦ ће трептати током снимања. За заустављање снимања притисните тилку СТОП / БАНД (11, 38).

ОПРЕЗ: Активирање процеса снимања са радија ће се десити са закашњењем од неколико секунди. Може доћи до сметњи / буке током снимања радија.

2. Снимање са винил диска - поставите УСБ диск / СД картицу у одговарајући порт (42 или 30). Притисните дугме ФУНЦИОН (5, 35) да бисте изабрали режим „ПХОН“. Ставите винилни диск на плочу и започните репродукцију нумере коју желите да снимите постављањем ручице грамофона на одговарајуће место. Преостали кораци су идентични ономе снимања са радија.

3. Снимање са спољног уређаја (АУКС режим) - поставите УСБ диск / СД картицу у одговарајући порт (42 или 30). Притисните

дугме ФУНКЦИОН (5, 35) да бисте изабрали режим „АУКС“. Повежите спољни уређај са АУКС ИН улазом (14) и изаберите нумеру коју желите да снимите са спољног уређаја. Преостали кораци су идентични ономе снимања са радија.

Брисање записа са УСБ диска / СД картице

Брисање једног снимка - поставите УСБ диск / СД картицу у одговарајући порт (42 или 30). Изаберите нумеру коју желите да избришете помоћу тастера СКИП ДОВН (12, 39) и СКИП УП (13, 40) и почните репродукцију. Притисните и држите дугме РЕЦ / ДЕЛ (8, 33) око 3 секунде.

ЧИШЋЕЊЕ И ОДРЖАВАЊЕ

1. Искључите уређај из електричне мреже.
2. Уређај се може обрисати само сувом крпом.
3. Уређај треба чувати у сувом простору.

ОПРЕЗ: Немојте користити воду за чишћење - то може оштетити уређај.

ТЕХНИЧКИ ПОДАЦИ

Извор напајања: 230В ~ 50Хз

РМС излазна снага: 2к 1.5В



За заштиту животне средине: молимо вас да одвојите картонске кутије и пластичне кесе и одложите их у одговарајуће канте за смеће. Коришћени уређај треба да буде испоручен на наменске сакупљане тачке због оштрих компоненти, што може утицати на животну средину. Немојте одлагати овај уређај у заједничку корпу за отпатке.

(DK) DANSKI

SIKKERHEDSBETINGELSER VIGTIGE INSTRUKTIONER VEDRØRENDE

SIKKERHEDSVEJLEDNING Læs venligst omhyggeligt og hold dig til fremtidige referencer

Garantibetingelserne er forskellige, hvis enheden bruges til kommercielt formål.

1. Ved at bruge produktet skal du læse omhyggeligt og altid overholde følgende instruktioner. Producenten er ikke ansvarlig for eventuelle skader på grund af misbrug.

2. Produktet må kun bruges indendørs. Brug ikke produktet til noget formål, der ikke er kompatibelt med dets anvendelse.

3. Den gældende spænding er 230V, ~ 50Hz. Af sikkerhedsmæssige grunde er det ikke hensigtsmæssigt at tilslutte flere enheder til et stikkontakt.

4. Vær forsigtig, når du bruger omkring børn. Lad ikke børnene lege med produktet. Lad ikke børn eller personer, der ikke kender enheden, bruge den uden tilsyn.

5. ADVARSEL: Denne enhed kan anvendes af børn over 8 år og personer med nedsat fysisk, sensorisk eller mental kapacitet eller personer uden erfaring eller kendskab til enheden, kun under tilsyn af en person, der er ansvarlig for deres sikkerhed, eller hvis de blev instrueret om sikker brug af enheden og er opmærksomme på de farer, der er forbundet med dens drift. Børn bør ikke lege med enheden. Rengøring og vedligeholdelse af apparatet bør ikke udføres af børn, medmindre de er over 8 år, og disse aktiviteter udføres under tilsyn.

6. Hvis du er færdig med at bruge produktet, skal du altid huske at tage forsigtigt stikket ud af stikkontakten, der holder stikket ud med hånden. Træk aldrig strømkablet !!!

7. Sæt aldrig strømkablet, stikket eller hele enheden i vandet. Udsæt aldrig produktet under de atmosfæriske forhold som direkte sollys eller regn osv. Brug aldrig produktet under fugtige forhold.

8. Kontrollér strømkabelens tilstand. Hvis strømkablet er beskadiget, skal produktet drejes til et professionelt servicested, der skal udskiftes for at undgå farlige situationer.

9. Brug aldrig produktet med et beskadiget strømkabel, eller hvis det blev tabt eller beskadiget på nogen anden måde, eller hvis det ikke fungerer korrekt. Forsøg ikke at reparere det defekte produkt selv, da det kan føre til elektrisk stød. Skift altid den beskadigede enhed til et professionelt servicested for at reparere det. Alle reparationer kan kun udføres af autoriserede servicepersonale. Den reparation, der blev udført forkert, kan medføre farlige situationer for brugeren.

10. Udsæt aldrig produktet på eller tæt på de varme eller varme overflader eller køkkenudstyr som den elektriske ovn eller gasbrænder.

11. Brug aldrig produktet tæt på brændbare stoffer.

12. Lad ikke ledningen hænge over kanten af tæller eller røre varme overflader.

13. Lad aldrig produktet forbinde til strømkilden uden tilsyn. Selv når brugen afbrydes i en kort periode, skal du slukke for det fra netværket, tag stikket ud af stikkontakten.
14. Ved at give yderligere beskyttelse anbefales det at installere resterende strømforsyning (RCD) i strømkredsløbet, med reststrøm ikke mere end 30 mA. Kontakt professionel elektriker i denne sag.
15. Undgå at få radioen våd.
16. Radioen må kun tørres af med en tør klud. Brug ikke vand eller rengøringsvæsker.
17. For at spare energi, hvis der ikke er noget lydsignal fra Turntable / AUX IN / USB / SD for a periode på over 10 minutter, så skifter apparatet automatisk til standbytilstand.
18. Radioen skal opbevares i et tørt rum.

BESKRIVELSE AF ENHEDEN

1. Drejebordsdæksel 23. Drejebordnålbeskyttelse
2. LCD-skærm 24. LINE OUT-stik
3. Strømdiode 25. FM-antennekabel
4. Indbygget højttaler 26. Netledning
5. FUNKTION-knap 27. STANDBY-knap
6. SLEEP / TIMER-knap 28. PRESET / ALBUM DN-knap
7. Hovedtelefonport 29. PRESET / ALBUM UP-knap
8. REC / DEL-knap 30. SD-kortport
9. MODE / CLOCK-knap 31. MUTE-knap
10. PLAY / PAUSE / TUNER SCAN-knap 32. AUTO-STOP-kontakt
11. STOP / BAND-knap 33. REC / DEL-knap
12. SKIP DOWN-knap 34. FM ST. knap
13. SKIP UP-knap 35. FUNKTION-knap
14. AUX-port 36. MODE / CLOCK-knap
15. ALBUM / PRESET DOWN-knap 37. PLAY / PAUSE-knap
16. ALBUM / PRESET UP-knap 38. STOP / BAND-knap
17. Tænd / sluk-knap / volumenkontrol 39. SKIP DOWN-knap
18. 45RPM diskadapter 40. SKIP UP-knappen
19. Drejeskivehåndtag 41. VOLUME OP / NED-knapper
20. Drejebord armlås 42. USB-port
21. Justering af pladespindhastighed
22. Drejebordarm

INDSTILLING AF KLOCKET

- Før første brug skal du pakke alt ud og fjerne alle beskyttelsesmaterialer. Afbryd FM-antennekablet og strømkablet. Dæk ikke ventilationshullerne, sørg for, at der er et mellemrum på nogle centimeter rundt om radioen, hvilket er nødvendigt for korrekt ventilation.
1. Tryk på MODE / CLOCK-knappen (9, 36) i standbytilstand. '12H / 24H' begynder at blinke på displayet (2). Brug knappen SKIP DOWN (12, 39) og SKIP UP (13, 40) til enten 12-timers eller 24-timers mode og bekræft ved at trykke på MODE / CLOCK knappen igen (9, 36). Enheden vil gå ind i timeredigeringsfunktionen.
 2. Indstil den aktuelle time med knappen SKIP DOWN (12, 39) og SKIP UP (13, 40) og bekræft ved at trykke på MODE / CLOCK-knappen (9, 36). Enheden vil gå ind i minutredigering / tilstand.
 3. Indstil det aktuelle minut med knappen SKIP DOWN (12, 39) og SKIP UP (13, 40) og bekræft ved at trykke på MODE / CLOCK knappen (9, 36).

TIMERFUNKTION (AUTOMATISK SHUT-OFF)

1. Når enheden er tændt, skal du trykke på SLEEP / TIMER-knappen (6) passende antal gange for at vælge den tid, efter hvilken enheden skal slukke (90, 80, 70 ... 10 minutter).
2. Ordet "SLEEP" på displayet informerer dig om, at den automatiske afbrydelsesfunktion er aktiveret.
3. Når den valgte tid er gået, slukkes enheden og går i standbytilstand.

FUNKTION KNAPP (5)

- Bruges til at ændre enhedens betjeningsfunktion
- PHON (drejebord drift mode)
 - AUX (ekstern enhedens driftstilstand)
 - FM radio mode
 - MP3 (USB-hukommelses afspilningstilstand og SD-kort afspilningstilstand)
 - Bluetooth-tilstand

LYDENDE TIL RADIOEN

1. Tænd enheden med tænd / sluk-knappen (17, 27), og indstil radiofunktionen ved hjælp af FUNCTION-knappen (5).
2. Indstil bølglængden til FM ved hjælp af BAND-knappen (11).
3. Brug knappen SKIP DOWN (12, 39) og SKIP UP (13, 40) til den ønskede radiofrekvens. Hvis du trykker på og holder disse knapper i cirka 1-2 sekunder, søger du automatisk efter den nærmeste frekvens. Når det er fundet, stopper søgningen.
4. Når frekvensen af den valgte station er fundet, skal du trykke på MODE / CLOCK-knappen (9, 36) for at gemme stationen.
5. Gentag trin 3-4 for at programmere valgte stationer (maks. 30 programmer - FM, maks. 20 programmer - AM).
6. Du kan skifte mellem gemte programmer ved at bruge PRESET DOWN-knappen (15) og PRESET UP-knappen (16).
7. Du kan indstille lydstyrken ved at dreje lydstyrkeknapen (17) eller ved hjælp af knapperne (40) på fjernbetjeningen.
8. FM-antennen (24) er placeret på bagsiden. Hvis modtagelsen er dårlig, skal du forsøge at flytte antennen og finde et sted, hvor signalet er stærkest.
- AM-antennen er placeret inde i radiomodtageren. Hvis modtagelsen er dårlig, skal du forsøge at flytte modtageren til et andet sted eller

dreje det i en anden retning for at få det stærkeste signal.

9. TUNER SCAN-knappen (10) bruges til automatisk at finde og gemme tilgængelige radiostationer.

AFSPILNING AF MP3 FILER FRA USB / SD MEMORY

FORSIGTIG: Enheden er muligvis ikke kompatibel med alle filer på grund af kodningsforskelle. Enheden fungerer muligvis ikke med nogle USB / SD-hukommelser. Enheden understøtter 8GB USB-hukommelser og SD-kort.

1. Tænd for afs spilleren med tænd / sluk-knappen (17, 27). Anbring USB- eller SD-hukommelsen i porten (USB-port - 42, SD-port - 30)

2. Vælg tilstanden ved hjælp af knappen FUNCTION (5, 35).

3. Enheden vil læse hukommelsen og vise antallet af optagede numre på displayet. Enheden begynder derefter afspilning af det første spor.

4. Du kan sætte pause og genoptage afspilning af det givne spor ved hjælp af PLAY / PAUSE-knappen (10, 37).

5. Du kan afspille tidligere eller næste spor ved hjælp af SKIP DOWN-knappen (12, 39) og SKIP UP-knappen (13, 40). Hvis du trykker på og holder disse knapper under afspilning af et spor, bliver det spolet tilbage eller fremad.

6. Du kan afspille det forrige eller næste spor album ved hjælp af ALBUM DOWN-knappen (15, 28) og ALBUM UP-knappen (16, 29).

7. Du kan indstille lydstyrken ved at dreje lydstyrkeknapen (17) eller ved hjælp af knapperne (40) på fjernbetjeningen.

8. FM-antennen (24) er placeret på bagsiden. Hvis modtagelsen er dårlig, skal du forsøge at flytte antennen og finde et sted, hvor signalet er stærkest.

AM-antennen er placeret inde i radiomodtageren. Hvis modtagelsen er dårlig, skal du forsøge at flytte modtageren til et andet sted eller dreje det i en anden retning for at få det stærkeste signal.

9. TUNER SCAN-knappen (10) bruges til automatisk at finde og gemme tilgængelige radiostationer.

AFSPILNING AF MP3 FILER FRA USB / SD MEMORY

FORSIGTIG: Enheden er muligvis ikke kompatibel med alle filer på grund af kodningsforskelle. Enheden fungerer muligvis ikke med nogle USB / SD-hukommelser. Enheden understøtter 8GB USB-hukommelser og SD-kort.

1. Tænd for afs spilleren med tænd / sluk-knappen (17, 27). Anbring USB- eller SD-hukommelsen i porten (USB-port - 42, SD-port - 30)

2. Vælg tilstanden ved hjælp af knappen FUNCTION (5, 35).

3. Enheden vil læse hukommelsen og vise antallet af optagede numre på displayet. Enheden begynder derefter afspilning af det første spor.

4. Du kan sætte pause og genoptage afspilning af det givne spor ved hjælp af PLAY / PAUSE-knappen (10, 37).

5. Du kan afspille tidligere eller næste spor ved hjælp af SKIP DOWN-knappen (12, 39) og SKIP UP-knappen (13, 40). Hvis du trykker på og holder disse knapper under afspilning af et spor, bliver det spolet tilbage eller fremad.

6. Du kan afspille det forrige eller næste spor album ved hjælp af ALBUM DOWN-knappen (15, 28) og ALBUM UP-knappen (16, 29).

7. Tryk på MODE / CLOCK-knappen (9, 36) en gang for at aktivere gentagelse af et spor under afspilning af et spor. Hvis du trykker på

MODE / CLOCK-knappen (9, 36) igen, gentages hele indholdet på USB-hukommelsen / SD-kortet.

8. Før du fjerner USB-hukommelsen / SD-kortet fra porten, skal du først slukke for afs spilleren eller skifte den til radio-tilstand, diskafspilningstilstanden ("PHON") eller den eksterne enhedstilstand ("AUX").

Du kan afspille musikfiler gemt på en mobiltelefon, der er udstyret med Bluetooth, til afspilning på stikkontakten.

1. Tænd for enheden, tryk på "FUNCTION" -knappen for at vælge Bluetooth-tilstand.

2. Aktivér Bluetooth-forbindelsen til medieafspilningsenheden. Medieafspilningsenheden søger nu efter enheder, som den kan oprette forbindelse.

3. Medieafspilningsenheden skal nu modtage enhedskoden CR 1168

4. Brug medieafspilningsenheden til at oprette forbindelse til radioen. For at gøre dette skal du vælge CR 1168 på medieafspilningsenheden.

ANVENDELSE AF EN ENHED ANSLUTTET UNDER AUX I UNIVERSAL ENTRY PORT:

1. Slut den eksterne enhed til afs spilleren via AUX IN-porten (14).

2. Sæt afs spilleren i AUX IN-tilstand ved at trykke på FUNCTION-knappen (5).

AFSPILNING AF VINYL DISCS

Før første brug af drejeskiven fjernes drejebordnålbeskyttelsen (23) og løsner knuden, der beskytter drejebordarmen ved siden af drejebåndets armlås (20).


1. Løsn armlås (20), og indstil enheden i PHON-tilstand ved hjælp af FUNCTION-knappen (5, 35).

2. Placer disken på pladespillerpladen. Brug om nødvendigt adapteren (18).

3. Vælg tallerkens rotationshastighed (rotationshastigheden afhængigt af diskens type) ved hjælp af kontakten (21).

4. Ved at bruge niveauet (19) løft drejebordarmen - dette vil aktivere pladens drejning med drejeskiven. Sæt forsigtigt armen på det spor, du vil lytte til. Sænk nålearmen ved hjælp af håndtaget (19).

5. Du kan indstille lydstyrken ved at dreje lydstyrkeknapen (17) eller ved hjælp af knapperne (40) på fjernbetjeningen.

6. For at stoppe afspilningen af disken skal du løfte drejebordarmen med håndtaget (19).

7. Efter afspilning af disken løftes drejebordarmen med drejerknappen (19). Bevæg armen over låsen (20) og sænk den med armen (19).

8. For at slå AUTO-STOP-funktionen til eller fra, skal du bruge AUTO-STOP-kontakten (32).

Optagelse på en USB disk / SD-kort

1. Optagelse fra radioen - Anbring USB-disken / SD-kortet i den relevante port (42 eller 30). Tryk på knappen FUNCTION (5, 35) for at vælge radiomodus. Indstil bølglængden til AM eller FM ved hjælp af BAND-knappen (11). Brug knappen SKIP DOWN (12, 39) og SKIP UP (13, 40) til den ønskede radiofrekvens. Tryk på REC / DEL-knappen (8, 33). Inden for få sekunder vil enheden læse de tilgængelige USB / SD-hukommelsesmedier. Brug knappen SKIP DOWN (12, 39) og SKIP UP (13, 40) til at vælge, om du vil optage til USB-hukommelsen eller SD-kortet. Bekræft ved at trykke igen på REC / DEL-knappen (8, 33). Efter et par sekunder optager enheden til den valgte bærbare hukommelse (hvis kun USB-hukommelsen eller SD-kortet er tilsluttet, aktiveres optagelsesfunktionen efter et par sekunder ved første tryk på REC / DEL-knappen). REC-ikonet blinker under optagelse. For at stoppe optagelsen, tryk på knappen STOP / BAND (11, 38).

FORSIGTIG: Aktivering af optagelsesprocessen fra radioen sker ved en forsinkelse på flere sekunder. Der kan være interferens / støj under radiooptagelse.

2. Optagelse fra en vinyl disk - Placer USB-disken / SD-kortet i den relevante port (42 eller 30). Tryk på knappen FUNCTION (5, 35) for at vælge "PHON"-funktionen. Placer vinylpladen på pladen og start afspilningen af lidet spor, du vil optage, ved at placere pladespissen på det rette sted. De resterende trin er identiske med optagelsen fra radioen.

3. Optagelse fra en ekstern enhed (AUX-tilstand) - Placer USB-disken / SD-kortet i den relevante port (42 eller 30). Tryk på knappen FUNCTION (5, 35) for at vælge "AUX"-tilstanden. Tilslut den eksterne enhed til AUX IN-porten (14), og vælg det spor, du ønsker at optage fra den eksterne enhed. De resterende trin er identiske med optagelsen fra radioen.

SLETNING AF TRACKS FRA EN USB DISK / SD CARD

Sletning af en optagelse - Placer USB-disken / SD-kortet i den relevante port (42 eller 30). Vælg det spor, du vil slette, ved hjælp af SKIP DOWN-knappen (12, 39) og SKIP UP-knappen (13, 40) og begynd at afspille. Tryk og hold REC / DEL knappen (8, 33) i ca. 3 sekunder.

RENGØRING OG VEDLIGEHOLDELSE

1. Frakobl enheden fra strømmen.
2. Enheden må kun tørres af med en tør klud.
3. Enheden skal opbevares i et tørt rum.

FORSIGTIG: Brug ikke vand til rengøring - det kan beskadige enheden.

TEKNISK DATA

Strømkilde: 230V ~ 50Hz

RMS udgangseffekt: 2x 1,5W



Af hensyn til miljøet . Venligst overfør papemballage til affaldspapir. Hæld polyethylenposer (PE) i plastbeholderen Slidt enhed skal returneres til det relevante punkt opbevaring, fordi det er farligt i enheden ingredienser kan udgøre en trussel for miljøet. Den elektriske enhed skal overleveres for at begrænse dets genanvendelse og brug. Hvis i enheden der er batterier, fjern dem og vende tilbage til punktet opbevares separat.

(UA) УКРАЇНСЬКА

Умови безпеки

Умови гарантії відрізняються, якщо пристрій використовується в комерційних цілях.

1. Перед використанням продукту уважно прочитайте та завжди дотримуйтесь наступних інструкцій. Виробник не несе відповідальності за будь-які збитки, спричинені будь-яким неправильним використанням.
2. Продукт можна використовувати тільки в приміщенні. Не використовуйте виріб для будь-яких цілей, які не сумісні з його застосуванням.
3. Використовується напруга 230В, ~ 50Гц. З міркувань безпеки не варто підключати кілька пристроїв до однієї розетки.
4. Будьте обережні під час використання дітей. Не дозволяйте дітям грати з продуктом. Не дозволяйте дітям або людям, які не знають пристрій, використовувати його без нагляду.
5. УВАГА: Цей пристрій може використовуватися дітьми старше 8 років та особами зі зменшеними фізичними, сенсорними або розумовими можливостями або особами, які не мають досвіду або знань про пристрій, тільки під наглядом особи, відповідальної за їх безпеку, або якщо вони проінструктовані про безпечне використання пристрою і знають про небезпеки, пов'язані з його експлуатацією. Діти не повинні грати з пристроєм. Прибирання та технічне обслуговування пристрою не повинні здійснюватися дітьми, якщо вони не досягли 8-річного віку, і ці заходи здійснюються під наглядом.
6. Після завершення використання виробу завжди пам'ятайте, що обережно вийміть вилку з розетки, що тримає розетку рукою. Ніколи не тягніть силовий кабель !!!
7. Ніколи не кладіть кабель живлення, штепсель або весь пристрій у воду. Ніколи не піддавайте виріб атмосферним умовам, таким як пряме сонячне світло або дощ, і т.д. Ніколи не використовуйте виріб у вологих умовах.
8. Періодично перевірте стан кабелю живлення. Якщо кабель живлення пошкоджено, виріб необхідно повернути у професійне місце для заміни, щоб уникнути небезпечних ситуацій.
9. Не використовуйте виріб із пошкодженим кабелем живлення або якщо він випав або пошкоджений іншим способом або якщо він не працює належним чином. Не намагайтеся самостійно відремонтувати несправний виріб, оскільки це може призвести до ураження електричним струмом. Завжди перевертайте пошкоджений пристрій у професійне місце для обслуговування. Усі ремонтні роботи можуть виконувати лише авторизовані спеціалісти служби технічного обслуговування. Неправильно виконаний ремонт може спричинити небезпечні ситуації для користувача.
10. Ніколи не кладіть виріб на гарячу або теплу поверхню або поблизу нею, а також на прилади кухні, такі як електрична піч або газовий пальник.
11. Ніколи не використовуйте продукт близький до горючих речовин.
12. Не дозволяйте шнуру повісити на край лічильника або торкнутися гарячих

поверхонь.

13. Не залишайте пристрій підключеним до джерела живлення без нагляду. Навіть у випадку короткочасного використання, вимкніть його з мережі, відключіть живлення.

14. Щоб забезпечити додатковий захист, рекомендується встановити в силовому контурі пристрій відключення струму (RCD) з залишковим струмом не більше 30 мА. Зверніться до професійного електрика з цього питання.

15. Уникайте намокнення радіо.

16. Радіо можна витирати тільки сухою тканиною. Не використовуйте воду або рідини для чищення.

17. Щоб заощадити енергію, якщо звуковий сигнал від програвача / AUX IN / USB / SD відсутній

протягом 10 хвилин, тоді пристрій автоматично перейде в режим очікування.

18. Радіостанція повинна зберігатися в сухому приміщенні.

ОПИС ПРИСТРОЮ

1. Кришка поворотної платформи
2. РК-дисплей
3. Силовий діод
4. Вбудований динамік
5. Кнопка FUNCTION
6. Кнопка SLEEP / TIMER
7. Порт для навушників
8. Кнопка REC / DEL
9. Кнопка MODE / CLOCK
10. Кнопка PLAY / PAUSE / TUNER SCAN
11. Кнопка STOP / BAND
12. Кнопка SKIP DOWN
13. Кнопка SKIP UP
14. Порт AUX
15. Кнопка ALBUM / PRESET DOWN
16. Кнопка ALBUM / PRESET UP
17. Перемикач включення / вимкнення / регулювання гучності
18. Перехідник диска 45RPM
19. Ручка поворотного столу
20. Замок для рук поворотного столу
21. Регулювання швидкості обертання пластини
22. Ручка поворотного столу
23. Поворотний затискник голки
24. Роз'єм LINE OUT
25. Кабель антени FM
26. Шнур живлення
27. Кнопка STANDBY
28. Кнопка PRESET / ALBUM DN
29. Кнопка PRESET / ALBUM UP
30. Порт SD-карти
31. Кнопка MUTE
32. Перемикач AUTO-STOP
33. Кнопка REC / DEL
34. FM ST. кнопки
35. Кнопка FUNCTION
36. Кнопка MODE / CLOCK
37. Кнопка PLAY / PAUSE
38. Кнопка STOP / BAND
39. Кнопка SKIP DOWN
40. Кнопка SKIP UP
41. Кнопки VOLUME UP / DOWN
42. Порт USB
43. Регулювання швидкості обертання пластини
44. Ручка поворотного столу

ВСТАНОВЛЕННЯ ЧАСУ

Перед першим використанням розпакуйте все та відальте всі захисні матеріали. Відкритіть кабель FM-антени та кабель живлення. Не закривайте вентиляційні отвори, переконайтеся, що навколо радіостанції є зазор у декілька сантиметрів, який необхідний для належної вентиляції.

1. У режимі очікування натисніть і утримуйте кнопку MODE / CLOCK (9, 36). На дисплеї почне блимати '12H / 24H' (2). За допомогою кнопки SKIP DOWN (12, 39) і SKIP UP (13, 40) виберіть 12-годинний або 24-годинний режим і підтвердіть повторне натискання кнопки MODE / CLOCK (9, 36). Пристрій перейде в режим редагування годинника.
2. За допомогою кнопки SKIP DOWN (12, 39) і SKIP UP (13, 40) встановіть поточну годину і підтвердіть натисканням кнопки MODE / CLOCK (9, 36). Пристрій перейде в режим хвилинного редагування / режиму.
3. За допомогою кнопки SKIP DOWN (12, 39) і SKIP UP (13, 40) встановіть поточну хвилину і підтвердіть натисканням кнопки MODE / CLOCK (9, 36).

ФУНКЦІЯ ТАЙМЕР (АВТОМАТИЧНЕ ВИМКНЕННЯ)

1. Коли пристрій увімкнено, натисніть кнопку SLEEP / TIMER (6) відповідну кількість разів, щоб вибрати час, після якого пристрій повинен вимкнутися (90, 80, 70 ... 10 хвилин).
2. Слово "SLEEP" на дисплеї повідомляє, що функція автоматичного відключення активована.
3. Після закінчення вибраного часу пристрій вимкнеться і перейде в режим очікування.

КНОПКА ФУНКЦІЇ (5)

Використовується для зміни режиму роботи пристрою

- PHON (режим робочого столу)
- AUX (режим роботи зовнішнього пристрою)
- Режим FM-радіо
- MP3 (режим відтворення пам'яті USB і режим відтворення SD-карти)
- Режим Bluetooth

Слухайте радіо

1. Увімкніть пристрій за допомогою кнопки ON / OFF (17, 27) і встановіть режим радіо за допомогою кнопки FUNCTION (5).
2. За допомогою кнопки BAND (11) встановіть довжину хвилі на FM.
3. За допомогою кнопки SKIP DOWN (12, 39) і SKIP UP (13, 40) налаштуйте потрібну радіочастоту. Натискання та утримання цих кнопок протягом 1-2 секунд автоматично шукатиме найближчу частоту. Після його пошуку пошук припиниться.
4. Коли знайдете частоту вибраної станції, натисніть кнопку MODE / CLOCK (9, 36), щоб зберегти станцію.
5. Повторіть кроки 3-4, щоб запрограмувати вибрані станції (максимум 30 програм - FM, максимум 20 програм - AM).
6. Ви можете перемикатися між збереженими програмами за допомогою кнопки PRESET DOWN (15) і кнопки PRESET UP (16).

7. Ви можете встановити гучність, повернувши ручку регулювання гучності (17) або за допомогою кнопок (40) на пульті дистанційного керування.
8. Антена FM (24) розташована на задній панелі. Якщо прийом поганий, спробуйте перемістити антену та знайдіть місце, в якому сигнал найсильніший.
Антена AM розташована всередині радіоприймача. Якщо прийом поганий, спробуйте пересунути приймач на інше місце або повернути його в іншому напрямку, щоб уловити найсильніший сигнал.
9. Кнопка TUNER SCAN (10) використовується для автоматичного пошуку та збереження доступних радіостанцій.
ВІДТВОРЕННЯ МРЗ-ФАЙЛІВ З ПАМ'ЯТІ USB / SD
ОБЕРЕЖНО: Пристрій може бути не сумісний з усіма файлами через відмінності в кодуванні. Пристрій може не працювати з деякими пам'яттю USB / SD. Пристрій підтримує 8 Гб USB-пам'яті і SD-карти.
1. Увімкніть програвач за допомогою кнопки ON / OFF (17, 27). Розмістіть USB-порт або пам'ять SD у порту (USB-порт - 42, SD-порт - 30)
2. Виберіть режим за допомогою кнопки FUNCTION (5, 35).
3. Пристрій буде читати пам'ять і показувати на дисплеї кількість записаних треків. Потім пристрій почне відтворення першої доріжки.
4. Можна призупинити та відновити відтворення даного запису за допомогою кнопки PLAY / PAUSE (10, 37).
5. Можна відтворити попередній або наступний трек за допомогою кнопки SKIP DOWN (12, 39) і SKIP UP (13, 40). Натискання та утримання цих кнопок під час відтворення доріжки призведе до перемотування назад або вперед.
6. Можна відтворити попередній або наступний альбом треку за допомогою кнопки ALBUM DOWN (15, 28) та кнопки ALBUM UP (16, 29).
7. Ви можете встановити гучність, повернувши ручку регулювання гучності (17) або за допомогою кнопок (40) на пульті дистанційного керування.
8. Антена FM (24) розташована на задній панелі. Якщо прийом поганий, спробуйте перемістити антену та знайдіть місце, в якому сигнал найсильніший.
Антена AM розташована всередині радіоприймача. Якщо прийом поганий, спробуйте пересунути приймач на інше місце або повернути його в іншому напрямку, щоб уловити найсильніший сигнал.
9. Кнопка TUNER SCAN (10) використовується для автоматичного пошуку та збереження доступних радіостанцій.
ВІДТВОРЕННЯ МРЗ-ФАЙЛІВ З ПАМ'ЯТІ USB / SD
ОБЕРЕЖНО: Пристрій може бути не сумісний з усіма файлами через відмінності в кодуванні. Пристрій може не працювати з деякими пам'яттю USB / SD. Пристрій підтримує 8 Гб USB-пам'яті і SD-карти.
1. Увімкніть програвач за допомогою кнопки ON / OFF (17, 27). Розмістіть USB-порт або пам'ять SD у порту (USB-порт - 42, SD-порт - 30)
2. Виберіть режим за допомогою кнопки FUNCTION (5, 35).
3. Пристрій буде читати пам'ять і показувати на дисплеї кількість записаних треків. Потім пристрій почне відтворення першої доріжки.
4. Можна призупинити та відновити відтворення даного запису за допомогою кнопки PLAY / PAUSE (10, 37).
5. Можна відтворити попередній або наступний трек за допомогою кнопки SKIP DOWN (12, 39) і SKIP UP (13, 40). Натискання та утримання цих кнопок під час відтворення доріжки призведе до перемотування назад або вперед.
6. Можна відтворити попередній або наступний альбом треку за допомогою кнопки ALBUM DOWN (15, 28) та кнопки ALBUM UP (16, 29).
7. Під час відтворення доріжки натисніть кнопку MODE / CLOCK (9, 36) один раз, щоб активувати повтор одного доріжки. Повторне натискання кнопки MODE / CLOCK (9, 36) повторить весь вміст картки пам'яті USB / SD.
8. Перш ніж виймати USB-карту пам'яті / SD-карту з порту, спочатку вимкніть програвач або переведіть його в режим радіо, режим програвання диска (PHON) або режим зовнішнього пристрою ('AUX').

Ви можете відтворювати музичні файли, збережені на мобільному телефоні, обладнаному Bluetooth, для відтворення на радіостанції.

1. Увімкніть пристрій, натисніть кнопку «FUNCTION», щоб вибрати режим Bluetooth.
2. Активуйте з'єднання Bluetooth пристрою відтворення мультимедіа. Пристрій відтворення мультимедіа тепер шукатиме пристрої, до яких він може підключення.
3. Пристрій відтворення мультимедіа повинен тепер отримувати пристрій коду CR 1168
4. Використовуйте пристрій відтворення мультимедіа для підключення до радіо. Для цього виберіть CR 1168 на пристрої відтворення мультимедіа.

ВИКОРИСТАННЯ ПРИСТРОЮ, ПІДКЛЮЧЕНО ЧЕРЕЗ AUX В УНІВЕРСАЛЬНОМУ ПОРТУ

1. Підключіть зовнішній пристрій до програвача через порт AUX IN (14).
2. Увімкніть програвач у режим AUX IN, натиснувши кнопку FUNCTION (5).

ВІДТВОРЕННЯ ВІНІЛЬНИХ ДИСКІВ

Перед першим використанням поворотного столу зніміть захисний кожух (23) і розв'яжіть вузол, що захищає ручку поворотного столу, розташовану поруч із фіксатором рукоятки (20).

1. Відпустіть фіксатор рукоятки (20) і встановіть пристрій у режим PHON за допомогою кнопки FUNCTION (5, 35).
2. Розташуйте диск на пластині. При необхідності використовуйте адаптер (18).
3. За допомогою перемикача (21) виберіть швидкість обертання пластини (частоту обертання залежно від типу диска).
4. Використовуючи ривень (19), підніміть ручку поворотної платформи - це активує поворот пластини за допомогою диска. Обережно посуньте руку на доріжку, яку потрібно прослухати. Опустіть плече голки за допомогою важеля (19).
5. Ви можете встановити гучність, повернувши ручку регулювання гучності (17) або за допомогою кнопок (40) на пульті дистанційного керування.
6. Щоб зупинити відтворення диска, підніміть ручку поворотної платформи за допомогою важеля (19).
7. Після завершення відтворення диска підніміть поворотну платформу за допомогою важеля поворотної платформи (19). Перемістіть ручку над замком (20) і опустіть його за допомогою важеля (19).
8. Щоб увімкнути або вимкнути функцію AUTO-STOP, використовуйте перемикач AUTO-STOP (32).

ЗАПИС НА USB ДИСК / КАРТУ SD

1. Запис з радіоприймача - розмістіть карту USB / SD у відповідному порту (42 або 30). Натисніть кнопку FUNCTION (5, 35), щоб вибрати режим радіо. За допомогою кнопки BAND (11) встановіть довжину хвилі на AM або FM. За допомогою кнопок SKIP DOWN (12, 39) і SKIP UP (13, 40) налаштуйте потрібну радіочастоту. Натисніть кнопку REC / DEL (8, 33). Протягом декількох секунд

пристрій буде читати доступні носії USB / SD. За допомогою кнопок SKIP DOWN (12, 39) і SKIP UP (13, 40) виберіть, чи потрібно записувати на USB-карту або SD-карту. Підтвердьте, знову натиснувши кнопку REC / DEL (8, 33). Через кілька секунд пристрій запише у вибрану портативну пам'ять (якщо підключено тільки USB-пам'ять або SD-карту, перше натискання кнопки REC / DEL активує функцію запису через кілька секунд). Під час запису блимає піктограма REC. Щоб зупинити запис, натисніть кнопку STOP / BAND (11, 38).

УВАГА: Активація процесу запису з радіо відбудеться із затримкою в кілька секунд. Під час запису радіо може виникати перешкоди / шум.

2. Запис з вінілового диска - розмістіть диск USB / SD у відповідному порту (42 або 30). Натисніть кнопку FUNCTION (5, 35), щоб вибрати режим "PHON". Розташуйте вініловий диск на пластині та почніть відтворення доріжки, яку потрібно записати, розмістивши ручку поворотного стола у відповідному місці. Інші кроки ідентичні крокам запису з радіо.

3. Запис із зовнішнього пристрою (режим AUX) - помістіть карту USB / SD у відповідний порт (42 або 30). Натисніть кнопку FUNCTION (5, 35), щоб вибрати режим "AUX". Підключіть зовнішній пристрій до порту AUX IN (14) і виберіть трек, який потрібно записати з зовнішнього пристрою. Інші кроки ідентичні крокам запису з радіо.

Видалення треків з дисків USB / SD CARD

Видалення одного запису - розмістіть диск USB / SD у відповідному порту (42 або 30). Виберіть доріжку, яку потрібно видалити, за допомогою кнопки SKIP DOWN (12, 39) і SKIP UP (13, 40) і почніть відтворення. Натисніть і утримуйте кнопку REC / DEL (8, 33) протягом приблизно 3 секунд.

ОЧИЩЕННЯ ТА ОБСЛУГОВУВАННЯ

1. Від'єднайте пристрій від електромережі.
2. Пристрій можна протирати тільки сухою тканиною.
3. Пристрій слід зберігати в сухому приміщенні.

УВАГА! Не використовуйте воду для чищення - це може пошкодити пристрій.

ТЕХНІЧНІ ДАНІ

Джерело живлення: 230 В ~ 50 Гц

Вихідна потужність RMS: 2x 1,5 Вт

KARTA GWARANCYJNA

WARUNKI GWARANCJI obowiązują na terenie Rzeczypospolitej Polskiej

Adler Sp. z o.o. ul. Orдона 2a 01-237 Warszawa zapewnia Użytkownika o dobrej jakości sprzętu, na który wydana jest niniejsza karta gwarancyjna i udziela 24 miesięcznej gwarancji, która liczy się od daty zakupu sprzętu. Usługi gwarancyjne świadczone są po okazaniu prawidłowo wypełnionej karty gwarancyjnej i dowodu zakupu (kopii paragonu lub faktury VAT). Wady lub uszkodzenia sprzętu ujawnione w okresie gwarancji usuwane będą bezpłatnie przez Serwis Centralny. W przypadku zakupu sprzętu przez przedsiębiorcę (faktura VAT) okres gwarancji wynosi 12 miesięcy. UWAGA: Sprzęt przeznaczony jest wyłącznie do użytku domowego. Naprawami gwarancyjnymi nie są objęte czynności związane z odkamienianiem, konserwacją, czyszczeniem urządzenia oraz części i akcesoria ulegające zużyciu przy normalnym użytkowaniu. Gwarancja nie obejmuje mechanicznych uszkodzeń sprzętu oraz wad i uszkodzeń wynikłych wskutek:

- niewłaściwego lub niezgodnego z instrukcją użytkowania, przechowywania i konserwacji;
- ingerencji nieautoryzowanego serwisu, samowolnych napraw, przeróbek i zmian konstrukcyjnych;
- użycia niewłaściwych materiałów eksploatacyjnych.
- uszkodzeń mechanicznych, termicznych, chemicznych i powstałych na skutek przepięcia w sieci.
- karta gwarancyjna jest nieważna bez daty zakupu, pieczęci sprzedającego i kopii dokumentu zakupu.
- gwarancją nie są objęte elementy eksploatacyjne i akcesoria w tym: elementy szklane (np. dzbanki, talerze), sznury przyłączeniowe, sieciowe, żarówki, baterie, nożyki i folie do urządzeń tnących, nasadki miksujące, trzepaki, mieszaki, ssawkoszczotki, rury, węże, kubki miksujące, głowice tnące i sita.

Reklamowany sprzęt jest dostarczany do Serwisu Centralnego przez Klienta w stanie kompletnym i odpowiednio zabezpieczony na czas transportu. Po dokonanej naprawie reklamowany sprzęt odbierany jest z Serwisu Centralnego przez Klienta.

Termin usunięcia wady może zostać wydłużony o czas potrzebny do importu niezbędnych części, nie dłuższy niż 30 dni roboczych. W każdym takim przypadku warsztat serwisowy powiadomi klienta o wydłużeniu terminu naprawy gwarancyjnej. W związku z koniecznością sprowadzenia części zamiennych i poinformuje o nowym terminie usunięcia wady.

W przypadku stwierdzenia usterki należy ją zgłosić w punkcie sprzedaży lub w Serwisie Centralnym, ul. Orдона 2A, 01-237 Warszawa, tel. 728-595-006 lub e-mail: serwis@adler.com.pl.

W zgłoszeniu proszę podać swój adres, nr telefonu i opis usterki. Do reklamacji konieczne jest dołączenie kopii dokumentu zakupu.

Gwarancja nie wyłącza ani nie ogranicza oraz nie zawiesza uprawnień kupującego wynikających z przepisów o rękojmi za wady rzeczy sprzedanej.

SERWIS CENTRALNY

01-237 Warszawa ul.Orдона 2A

tel. 728 - 595 - 006

serwis@adler.com.pl www.adler.com.pl

.....
(data sprzedaży)

.....
(pieczętka sklepu i podpis sprzedawcy)

adnotacje serwisu:



W trosce o środowisko..

Opakowania kartonowe prosimy przekazać na makulaturę. Worki polietylenowe (PE) wrzucać do pojemnika na plastik Zużyte urządzenia należy oddać do odpowiedniego punktu składowania, gdyż znajdujące się w urządzeniu niebezpieczne składniki mogą stanowić zagrożenie dla środowiska. Urządzenie elektryczne należy oddać tak aby ograniczyć jego ponowne użycie i wykorzystanie. Jeżeli w urządzeniu znajdują się baterie należy je wyjąć i oddać do punktu składowania osobno.



Urządzenia nie wyrzucać do pojemnika na odpady komunalne!!

OGÓLNE WARUNKI BEZPIECZEŃSTWA
WAŻNE INSTRUKCJE DOTYCZĄCE BEZPIECZEŃSTWA UŻYTKOWANIA
PRZECZYTAJ UWAGNIE I ZACHOWAJ NA PRZYSZŁOŚĆ

1. Przed rozpoczęciem użytkowania urządzenia przeczytać instrukcję obsługi i postępować według wskazówek w niej zawartych. Producent nie odpowiada za szkody spowodowane użytkowaniem urządzenia niezgodnie z jego przeznaczeniem lub niewłaściwą jego obsługą.
2. Urządzenie służy wyłącznie do użytku domowego. Nie używać do innych celów, niezgodnych z jego przeznaczeniem.
3. Urządzenie należy podłączyć wyłącznie do gniazdka z uziemieniem 230 V ~ 50 Hz. W celu zwiększenia bezpieczeństwa użytkowania do jednego obwodu prądu nie należy równocześnie włączać wielu urządzeń elektrycznych.
4. Należy zachować szczególną ostrożność podczas korzystania z urządzenia, gdy w pobliżu przebywają dzieci. Nie należy dopuszczać dzieci do zabawy urządzeniem nie pozwól dzieciom ani osobom nie zaznajomionym z urządzeniem na jego użytkowanie.
5. **OSTRZEŻENIE:** Niniejszy sprzęt może być użytkowany przez dzieci powyżej 8 roku życia oraz osoby o ograniczonej zdolności fizycznej, czuciowej lub psychicznej, lub osoby nie mające doświadczenia lub znajomości sprzętu, jeśli odbywa się to pod nadzorem osoby odpowiadającej za ich bezpieczeństwo lub zostały im udzielone wskazówki na temat bezpiecznego użytkowania urządzenia i mają świadomość niebezpieczeństwa związanego z jego użytkowaniem. Dzieci nie powinny bawić się sprzętem. Czyszczenie i konserwacja urządzenia nie powinna być wykonywana przez dzieci, chyba że są powyżej 8 roku życia a czynności te są wykonywane pod nadzorem.
6. Zawsze po zakończeniu używania, wyjmij wtyczkę z gniazda zasilającego poprzez przytrzymanie gniazdka ręką. **NIE** ciągnąć za sznur sieciowy.
7. Nie zanurzać kabla, wtyczki oraz całego urządzenia w wodzie lub innej cieczy. Nie wystawiaj urządzenia na działanie warunków atmosferycznych (deszczu, słońca, etc.) ani nie używaj w warunkach podwyższonej wilgotności (łazienki, wilgotne domki kempingowe).
8. Okresowo sprawdzaj stan przewodu zasilającego. Jeżeli przewód zasilający jest uszkodzony, to powinien on być wymieniony przez specjalistyczny zakład naprawczy w celu uniknięcia zagrożenia.
9. Nie używaj urządzenia z uszkodzonym przewodem zasilającym lub jeśli zostało upuszczone lub uszkodzone w jakikolwiek inny sposób lub nieprawidłowo pracuje. Nie naprawiaj urządzenia samodzielnie, gdyż grozi to porażeniem. Uszkodzone urządzenie oddaj do właściwego punktu serwisowego w celu sprawdzenia lub dokonania naprawy. Wszelkich napraw mogą dokonywać wyłącznie uprawnione punkty serwisowe. Nieprawidłowo wykonana naprawa może spowodować poważne zagrożenie dla użytkownika.
10. Należy stawiać urządzenie na chłodnej stabilnej, równej powierzchni, z dala od nagrzewających się urządzeń kuchennych jak: kuchenka elektryczna, palnik gazowy, itp...
11. Nie korzystać z urządzenia w pobliżu materiałów łatwopalnych.
12. Przewód zasilania nie może zwiisać poza krawędź stołu lub dotykać gorących powierzchni.
13. Nie wolno pozostawiać włączonego urządzenia ani zasilacza do gniazdka bez nadzoru.
14. Do zapewnienia dodatkowej ochrony, wskazane jest zainstalowanie w obwodzie elektrycznym, urządzenia różnicowoprądowego (RCD) o znamionowym prądzie różnicowym nie przekraczającym 30 mA. W tym zakresie należy zwrócić się do specjalisty elektryka.
15. Nie dopuszczać do zamoczenia radia.
16. Można przecierać radio jedynie suchą szmatką. Nie używać wody ani płynów do

czyszczenia.

17. W celu zapewnienia energooszczędności urządzenia, jeżeli nie zarejestruje ono sygnału z gramofonu/wejścia AUX IN w czasie 10 minut, przejdzie automatycznie w tryb Standby.

18. Radio należy przechowywać w suchym pomieszczeniu.

OPIS URZĄDZENIA

1.	Pokrywa gramofonu	23.	Ostona igły gramofonu
2.	Wyświetlacz LCD	24.	Gniazdo LINE OUT
3.	Dioda zasilania	25.	Kabel anteny FM
4.	Wbudowany głośnik	26.	Przewód zasilający
5.	Przycisk FUNCTION	27.	Przycisk STANDBY
6.	Przycisk SLEEP/TIMER	28.	Przycisk PRESET/ALBUM DN
7.	Wejście na słuchawki	29.	Przycisk PRESET/ALBUM UP
8.	Przycisk REC/DEL	30.	Gniazdo kart SD
9.	Przycisk MODE/CLOCK	31.	Przycisk MUTE
10.	Przycisk PLAY/PAUSE/TUNER SCAN	32.	Przełącznik AUTO-STOP
11.	Przycisk STOP/BAND	33.	Przycisk REC/DEL
12.	Przycisk SKIP DOWN	34.	Przycisk FM ST.
13.	Przycisk SKIP UP	35.	Przycisk FUNCTION
14.	Wejście AUX	36.	Przycisk MODE/CLOCK
15.	Przycisk ALBUM/PRESET DOWN	37.	Przycisk PLAY/PAUSE
16.	Przycisk ALBUM/PRESET UP	38.	Przycisk STOP/BAND
17.	Wyłącznik ON/OFF/regulacja głośności	39.	Przycisk SKIP DOWN
18.	Adapter płyt 45RPM	40.	Przycisk SKIP UP
19.	Dźwignia gramofonu	41.	Przyciski VOLUME UP/DOWN
20.	Blokada ramienia gramofonu	42.	Gniazdo USB
21.	Regulacja prędkości obrotu talerza		
22.	Ramię gramofonu		

USTAWIANIE ZEGARA

Przed pierwszym użyciem, rozpakuj wszystko i usuń wszystkie materiały zabezpieczające. Rozwiń kabel anteny FM i kabel zasilający. Nie zakrywaj otworów wentylacyjnych, upewnij się że wokół radia jest kilka centymetrów przerwy potrzebnych na poprawną wentylację.

1. W trybie czuwania naciśnij i przytrzymaj przycisk MODE/CLOCK (9, 36). Na wyświetlaczu (2) zacznie migać napis "12H/24H". Za pomocą przycisków SKIP DOWN (12, 39) i SKIP UP (13, 40) wybierz tryb 12-godzinny lub 24-godzinny i zatwierdź ponownym naciśnięciem przycisku MODE/CLOCK (9, 36). Urządzenie przejdzie wówczas do trybu edycji godziny.
2. Za pomocą przycisków SKIP DOWN (12, 39) i SKIP UP (13, 40) ustaw aktualną godzinę i zatwierdź naciśnięciem przycisku MODE/CLOCK (9, 36). Urządzenie przejdzie do trybu edycji minuty.
3. Za pomocą przycisków SKIP DOWN (12, 39) i SKIP UP (13, 40) ustaw aktualną minutę i zatwierdź naciśnięciem przycisku MODE/CLOCK (9, 36).

FUNKCJA TIMERA (AUTOMATYCZNE WYŁĄCZANIE SIE)

1. Gdy urządzenie jest włączone naciśnij przycisk SLEEP/TIMER (6) odpowiednią ilość razy w celu wybrania czasu po jakim urządzenie ma się wyłączyć (90, 80, 70...10 minut).
2. Napis "SLEEP" na wyświetlaczu informuje, że funkcja automatycznego wyłączenia jest aktywna.
3. Po upływie wybranego czasu urządzenie wyłączy się i przejdzie w tryb czuwania.

PRZYCISK FUNCTION (5)

Służy do zmieniania trybu pracy urządzenia

- PHON (tryb play gramofonu)
- AUX (tryb obsługi urządzenia zewnętrznego)
- tryb odbioru radia FM
- MP3 (tryb odczytu pamięci USB lub tryb odczytu karty SD)
- Tryb Bluetooth.

SŁUCHANIE RADIA

1. Włącz urządzenie przyciskiem ON/OFF (17, 27) i ustaw tryb odbioru radia przyciskiem FUNCTION (5).
2. Za pomocą przycisku BAND (11) wybierz długość fal AM lub FM.
3. Za pomocą przycisków SKIP DOWN (12, 39) i SKIP UP (13, 40) dostrój żadaną częstotliwość radiową. Wciśnięcie i przytrzymanie przez około 1-2 sekundy tych przycisków spowoduje automatyczne wyszukiwanie najbliższej częstotliwości. Po jej odnalezieniu wyszukiwanie zostanie zatrzymane.
4. Gdy częstotliwość wybranej stacji zostanie znaleziona, naciśnij przycisk MODE/CLOCK (9, 36) w celu zapisania stacji.
5. Powtarzaj kroki 3-4 aby zaprogramować wybrane stacje (max 30 programów).
6. Używając przycisków PRESET DOWN (15) i PRESET UP (16) możesz wybierać między ustawionymi programami.
7. Przekręcając pokrętkę regulacji głośności (17) lub używając przycisków (40) na pilocie możesz ustawić natężenie dźwięku.
8. Antena FM (24) jest umieszczona na tylnym panelu. Jeżeli odbiór sygnału jest za słaby, spróbuj przesunąć antenę i znaleźć miejsce, w którym sygnał jest najmocniejszy.
- Antena AM jest umieszczona w środku odbiornika radiowego. Jeżeli odbiór sygnału jest za słaby, spróbuj przemieścić odbiornik w inne miejsce, obrócić go w innym kierunku, by złapać najmocniejszy sygnał.
9. Przycisk TUNER SCAN (10) służy do automatycznego wyszukania i zapisania dostępnych stacji radiowych.

ODTWARZANIE PLIKÓW MP3 Z PAMIĘCI USB/SD

UWAGA: Urządzenie może nie być kompatybilne ze wszystkimi plikami ze względu na różnice w kodowaniu. Urządzenie może nie współpracować z niektórymi pamięciami USB/SD. Urządzenie obsługuje pamięci USB i karty SD o pojemności do 8GB.

1. Włącz odtwarzacz włącznikiem ON/OFF (17, 27). Umieść pamięć USB lub SD w gnieździe (gniazdo USB - 42, gniazdo SD - 30).
2. Wybierz tryb pracy przyciskiem FUNCTION (5, 35).
3. Urządzenie odczyta pamięć i pokaże na wyświetlaczu liczbę zapisanych utworów. Następnie urządzenie rozpocznie odtwarzanie pierwszego utworu.
4. Za pomocą przycisku PLAY/PAUSE (10, 37) można wstrzymać i ponownie odtwarzanie danego utworu.
5. Za pomocą przycisków SKIP DOWN (12, 39) i SKIP UP (13, 40) można wybierać odtwarzanie poprzednich lub kolejnych utworów. Wciśnięcie i przytrzymanie tych przycisków podczas odtwarzania utworu spowoduje jego przewijanie do tyłu bądź do przodu.
6. Za pomocą przycisków ALBUM DOWN (15, 28) i ALBUM UP (16, 29) można przejść do odtwarzania poprzedniego lub kolejnego katalogu z utworami.
7. W trakcie odtwarzania utworu naciśnij jednokrotnie przycisk MODE/CLOCK (9, 36) aby włączyć powtarzanie jednego utworu. Kolejne naciśnięcie przycisku MODE/CLOCK (9, 36) spowoduje powtarzanie całej zawartości pamięci USB/karty SD.
8. Wyjmowanie pamięci USB/kart SD z gniazd należy wykonywać po uprzednim wyłączeniu radia, bądź przełączeniu go na odbiór radia, odtwarzania płyt gramofonowych ("PHON") bądź urządzenia zewnętrznego ("AUX").

KORZYSTANIE Z URZĄDZENIA PODŁĄCZONEGO PRZEZ UNIWERSALNE GNIAZDO WEJŚCIOWE AUX IN:

1. Podłącz zewnętrzne urządzenie do odtwarzacza poprzez gniazdo AUX IN (14).
2. Przełącz odtwarzacz w tryb obsługi AUX IN naciskając przycisk FUNCTION (5).

Możesz odtwarzać pliki muzyczne zapisane na telefonie komórkowym wyposażonym w Bluetooth, do odtwarzania w radiu z gniazdem zasilania.

1. Włącz urządzenie, naciśnij przycisk „FUNCTION”, aby wybrać tryb Bluetooth.
2. Aktywuj połączenie Bluetooth urządzenia odtwarzającego multimedia. Urządzenie do odtwarzania multimedii wyszuka teraz urządzenia, do których może połączyć.
3. Urządzenie odtwarzające multimedia powinno teraz odbierać kod urządzenia CR 1168
4. Użyj urządzenia odtwarzającego multimedia, aby połączyć się z radiem. Aby to zrobić, wybierz CR 1168 na urządzeniu odtwarzającym multimedia.

ODTWARZANIE PŁYT WINYLOWYCH

Przed pierwszym użyciem gramofonu, zdejmij osłonkę z igły gramofonu (23) i rozwiąż węzełek zabezpieczający ramię gramofonu znajdujący się przy blokadzie ramienia gramofonu (20).

1. Zwolnij blokadę ramienia (20) i ustaw urządzenie w tryb PHON przy pomocy przycisku FUNCTION (5, 35).
2. Umieść płytę na talerzu gramofonu. Jeżeli jest to konieczne, użyj adaptera (18).
3. Wybierz prędkość obrotową talerza (prędkość odtwarzania zależną od rodzaju płyty) za pomocą przełącznika (21).
4. Przy pomocy dźwigni (19) podnieś ramię gramofonu, uruchomi to obracanie się talerza z płytą gramofonową. Delikatnie przesun ramię nad utwór, który chcesz słuchać. Opuść ramię igły za pomocą dźwigni (19).
5. Przekręcając gałkę regulacji głośności (17) lub używając przycisków (40) na pilocie możesz ustawić natężenie dźwięku.
6. W celu przerwania odtwarzania płyty, podnieś ramię gramofonu za pomocą dźwigni (19).
7. Po zakończeniu odtwarzania płyty podnieś ramię gramofonu za pomocą dźwigni gramofonu (19). Przesun ramię nad blokadę (20) i opuść za pomocą dźwigni (19).
8. Aby włączyć bądź wyłączyć funkcję AUTO-STOP użyj przełącznika AUTO-STOP (32).

NAGRYWANIE NA DYSK USB/KARTĘ SD

1. Nagrywanie z radia - umieść dysk USB/kartę SD w odpowiednim gnieździe (42 lub 30). Naciśnij przycisk FUNCTION (5, 35) aby wybrać tryb odbioru radia. Za pomocą przycisku BAND (11) wybierz długość fal AM lub FM. Za pomocą przycisków SKIP DOWN (12, 39) i SKIP UP (13, 40) dostrój żadaną częstotliwość radiową. Naciśnij przycisk REC/DEL (8, 33). Urządzenie w ciągu kilku sekund odczyta dostępne nośniki pamięci USB/SD. Za pomocą przycisków SKIP DOWN (12, 39) i SKIP UP (13, 40) wybierz czy chcesz nagrywać na pamięć USB czy kartę SD. Potwierdź ponownym naciśnięciem REC/DEL (8, 33). Urządzenie po kilku sekundach zacznie nagrywanie na wybraną pamięć przenośną (Jeżeli podłączona jest tylko pamięć USB lub tylko karta SD, pierwsze naciśnięcie przycisku REC/DEL uruchomi po kilku sekundach nagrywanie). W czasie nagrywania ikona REC będzie migać. Aby zatrzymać nagrywanie naciśnij przycisk STOP/BAND (11, 38).

UWAGA: Uruchomienie procesu nagrywania z radia następuje z kilkusekundowym opóźnieniem. Mogą występować interferencje/szumy podczas nagrywania z radia.

2. Nagrywanie z płyty winylowej - umieść dysk USB/kartę SD w odpowiednim gnieździe (42 lub 30). Naciśnij przycisk FUNCTION (5, 35) aby wybrać tryb "PHON". Umieść płytę winylową na talerzu i zacznij odtwarzać utwór, który chcesz nagrać ustawiając ramię gramofonu w odpowiednim miejscu. Dalsze kroki są identyczne jak w przypadku nagrywania z radia.

3. Nagrywanie z urządzenia zewnętrznego (tryb AUX) - umieść dysk USB/kartę SD w odpowiednim gnieździe (42 lub 30). Naciśnij przycisk FUNCTION (5, 35) aby wybrać tryb "AUX". Podłącz zewnętrzne urządzenie do gniazda AUX IN (14) i wybierz utwór na urządzeniu zewnętrznym, który chciałbyś nagrać. Dalsze kroki są identyczne jak w przypadku nagrywania z radia.

USUWANIE UTWORÓW Z DYSKU USB/KARTY SD

Usuwanie pojedynczego nagrania - umieść dysk USB/kartę SD w odpowiednim gnieździe (42 lub 30). Wybierz utwór, który chcesz usunąć za pomocą przycisków SKIP DOWN (12, 39) i SKIP UP (13, 40) i zacznij go odtwarzać. Naciśnij i przytrzymaj na ok. 3 sekundy przycisk REC/DEL (8, 33).

CZYSZCZENIE I KONSERWACJA

1. Odłącz urządzenie od sieci.
 2. Urządzenie można przecierać jedynie suchą szmatką.
 3. Urządzenie należy przechowywać w suchym pomieszczeniu.
- UWAGA: Nie używać wody do czyszczenia, może to uszkodzić urządzenie.

DANE TECHNICZNE

Napięcie zasilanie: 230V ~50Hz
Moc RMS wyjściowa: 2x 1,5W